



40 dB Fixed Attenuator, N Male To N Female Aluminum Heatsink  
Black Anodized Body Rated To 50 Watts Up To 4 GHz

TECHNICAL DATA SHEET

PE7394-40

**40 dB Fixed Attenuator, N Male To N Female Aluminum Heatsink Black Anodized Body Rated To 50 Watts Up To 4 GHz**

**Configuration**

Design	Fixed, Bidirectional Attenuator
Connector 1	N Male
Connector 2	N Female
Body Material and Plating	Aluminum Heatsink, Black Anodized

**Electrical Specifications**

Frequency Range, GHz	DC to 4
Impedance, Ohms	50
Attenuation Value, dB	40
Maximum Input Power, Watts	50
Maximum VSWR	1.35:1

**Frequency 1**

Range, GHz	DC to 4
VSWR	1.35:1
Attenuation Accuracy, dB	± 0.75

**Mechanical Specifications**

**Temperature**

Operating Range, deg C	-55 to +125
------------------------	-------------

**Size**

Length, in [mm]	5.12 [130.05]
Width, in [mm]	2.36 [59.94]
Weight, lbs [g]	0.717 [325.23]

**Connector 1**

Type	N Male
Contact Material and Plating	Brass, Gold
Body Material and Plating	Brass, Nickel

**Connector 2**

Type	N Female
Contact Material and Plating	Beryllium Copper, Gold
Body Material and Plating	Brass, Nickel

**Compliance Certifications** (visit [www.Pasternack.com](http://www.Pasternack.com) for current document)

RoHS Compliant	Yes
----------------	-----

Click the following link (or enter part number in "SEARCH" on website) to obtain additional part information including price, inventory and certifications: [40 dB Fixed Attenuator, N Male To N Female Aluminum Heatsink Black Anodized Body Rated To 50 Watts Up To 4 GHz PE7394-40](#)

The information contained in this document is accurate to the best of our knowledge and representative of the part described herein. It may be necessary to make modifications to the part and/or the documentation of the part, in order to implement improvements. Pasternack reserves the right to make such changes as required. Unless otherwise stated, all specifications are nominal.



40 dB Fixed Attenuator, N Male To N Female Aluminum Heatsink  
Black Anodized Body Rated To 50 Watts Up To 4 GHz

TECHNICAL DATA SHEET

PE7394-40

**Plotted and Other Data**

Notes:

Values at 25 °C, sea level

40 dB Fixed Attenuator, N Male To N Female Aluminum Heatsink Black Anodized Body Rated To 50 Watts Up To 4 GHz from Pasternack Enterprises has same day shipment for domestic and International orders. Our RF, microwave and fiber optic products maintain a 99% availability and are part of the broadest selection in the industry.

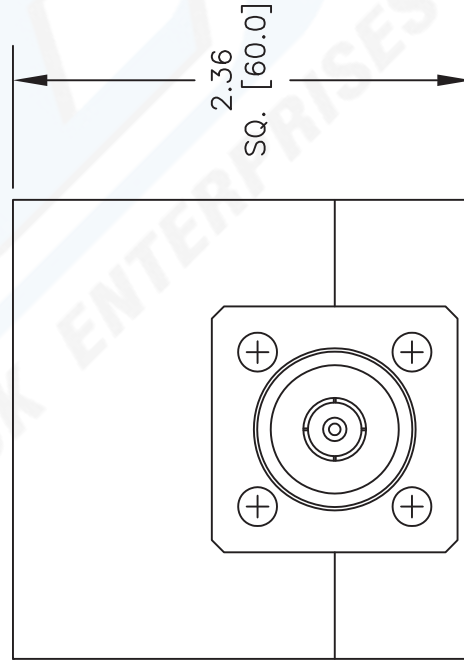
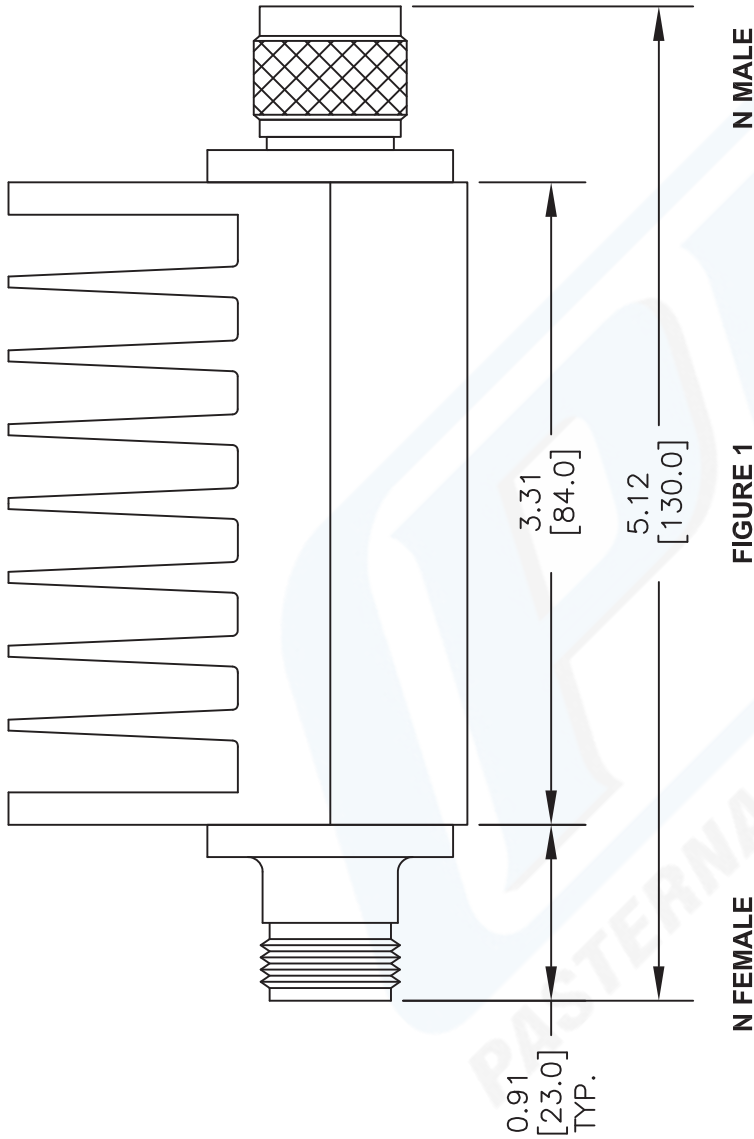
Click the following link (or enter part number in "SEARCH" on website) to obtain additional part information including price, inventory and certifications: [40 dB Fixed Attenuator, N Male To N Female Aluminum Heatsink Black Anodized Body Rated To 50 Watts Up To 4 GHz PE7394-40](http://www.pasternack.com/40db-fixed-n-male-n-female-50-watts-attenuator-pe7394-40-p.aspx)

URL: <http://www.pasternack.com/40db-fixed-n-male-n-female-50-watts-attenuator-pe7394-40-p.aspx>

The information contained in this document is accurate to the best of our knowledge and representative of the part described herein. It may be necessary to make modifications to the part and/or the documentation of the part, in order to implement improvements. Pasternack reserves the right to make such changes as required. Unless otherwise stated, all specifications are nominal.

# PE7394-40 CAD Drawing

40 dB Fixed Attenuator, N Male To N Female Aluminum Heatsink  
 Black Anodized Body Rated To 50 Watts Up To 4 GHz



P/N	ATTEN.	FIGURE
PE7394-2	2 dB	1
PE7394-3	3 dB	1
PE7394-6	6 dB	1
PE7394-10	10 dB	1
PE7394-30	30 dB	1
PE7394-40	40 dB	1

DWG TITLE

**PE7394**

NOTES:  
 1. UNLESS OTHERWISE SPECIFIED ALL DIMENSIONS ARE NOMINAL.  
 2. ALL SPECIFICATIONS ARE SUBJECT TO CHANGE WITHOUT NOTICE AT ANY TIME.  
 3. DIMENSIONS ARE IN INCHES [mm].

FSCM NO. 53919

CAD FILE 042913

SCALE N/A

SIZE A

2233

**PE PASTERNAK®**  
 Pasternack Enterprises, Inc.  
 P.O. Box 16759 | Irvine | CA | 92623  
 Phone: (949) 261-1920 | Fax: (949) 261-7451  
 Website: www.pasternack.com | E-Mail: sales@pasternack.com