

# C5/C6 - SERIES SPECIFICATIONS AND ORDERING INFORMATION

0.92" DIAMETER 1.0 AMP @ 28 VDC

The C5 Series offers a very economical and lightweight design. Standard features include 30° indexing up to 12 positions, solder lug terminals, fixed stops, and both internal and external seals for washability. The C6 Series offers the same features in an unsealed design.



## SPECIFICATIONS

### ELECTRICAL

**Current and Voltage Rating:** Make and break resistive load  
1 amp @ 28 VDC; 1 amp @ 125 VAC.  
**Current Carrying Capacity:** 5 amps.  
**Dielectric Strength:** 1,000 VAC between current carrying parts and ground.  
**Contact Resistance:** Average initial 20 milliohms.  
**Insulation Resistance:** In excess of 10,000 megohms.

**Hardware:** Mounting nut and lockwasher are shipped assembled.

### MECHANICAL

**Materials and Finishes:** All parts utilize non-corrosive materials as standard.  
**Terminals and Contacts:** Brass with silver plate as standard.  
**Insulation:** Polyester.  
**Index:** Molded live spring detent.  
**Index Life:** 10,000 cycles minimum.  
**Index Torque:** Switches have lowest practical torque consistent with crisp detenting and smooth, reliable operation.  
**Index Angles:** Positive 30° standard.  
**Index Stops:** Fixed standard, adjustable, or continuous available.  
**Stop Strength:** 4.5 in. lbs. minimum.

## STANDARD PART NUMBER

### C5 - SOLDER LUG TERMINALS

SWITCHES - 30° INDEX - ADJUSTABLE STOPS - SET @ 2 POS. - SEALED

POLES	ACTIVE POSITIONS	POLES/SECTION	NO. OF SECTIONS	NON-SHORTING	FIG. *
01	02-12	1	1	C5P0112N - A	CE
02	02-06	2	1	C5P0206N - A	CJ
03	02-04	3	1	C5P0304N - A	CL
04	02-03	4	1	C5P0403N - A	CM

### C5 - P.C. TERMINALS

SWITCHES - 30° INDEX - ADJUSTABLE STOPS - SET @ 2 POS. - SEALED

POLES	ACTIVE POSITIONS	POLES/SECTION	NO. OF SECTIONS	NON-SHORTING	FIG. *
01	02-12	1	1	C5P0112N - RA	CE
02	02-06	2	1	C5P0206N - RA	CJ
03	02-04	3	1	C5P0304N - RA	CL
04	02-03	4	1	C5P0403N - RA	CM

### C6 - UNSEALED

POLES	ACTIVE POSITIONS	POLES/SECTION	NO. OF SECTIONS	NON-SHORTING	FIG. *
01	02-12	1	1	C6P0112N - A	CE
02	02-06	2	1	C6P0206N - A	CJ
03	02-04	3	1	C6P0304N - A	CL
04	02-03	4	1	C6P0403N - A	CM

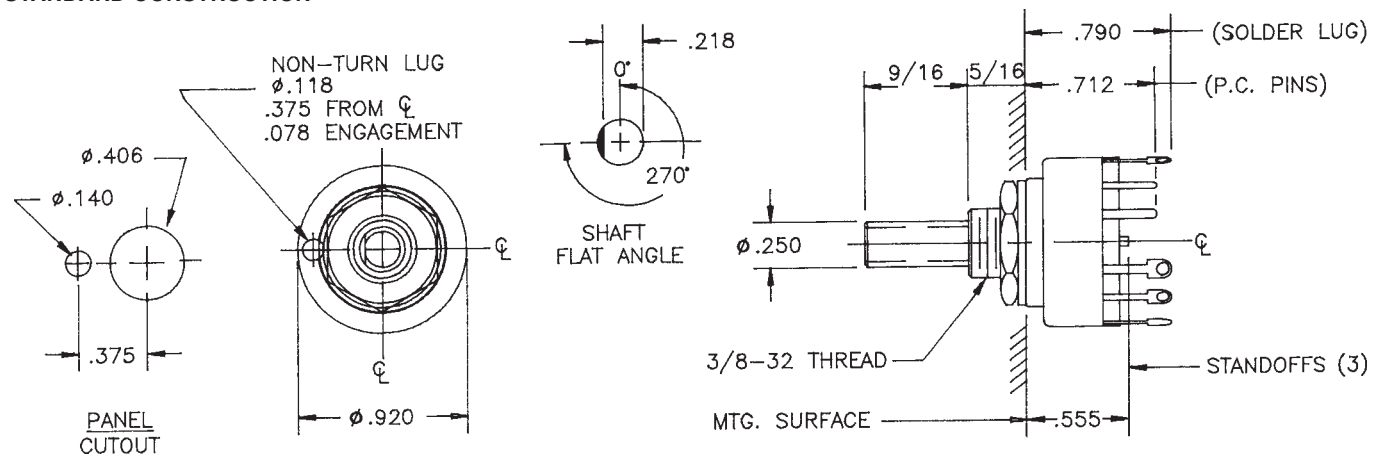
### C6 - UNSEALED

POLES	ACTIVE POSITIONS	POLES/SECTION	NO. OF SECTIONS	NON-SHORTING	FIG. *
01	02-12	1	1	C6P0112N - RA	CE
02	02-06	2	1	C6P0206N - RA	CJ
03	02-04	3	1	C6P0304N - RA	CL
04	02-03	4	1	C6P0403N - RA	CM

\* FIGURES ARE SHOWN ON PAGE 55.

## DIMENSIONS

### STANDARD CONSTRUCTION



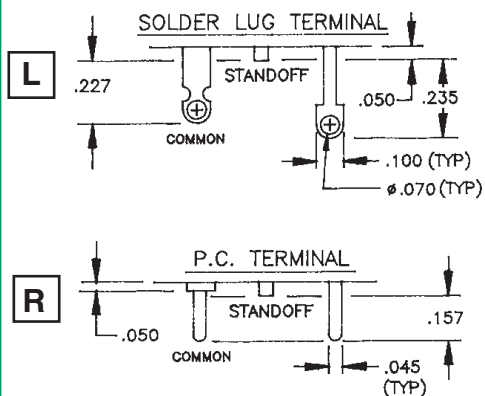
## How to Order Additional Options:

2 DIGIT SERIES	INSULATION TYPE	TOTAL POLES	ACTIVE POSITIONS	CONTACT TYPE	TERMINAL TYPE	INDEX ANGLE	STOP TYPE	SHAFT/BUSHING	SHAFT FLAT
C5	P - POLYESTER SEALED	01	12 - MAX	N - NON - SHORTING	L - SOLDER LUG R - REAR P.C.		F - FIXED A - ADJ. C - CONT.	SEE CHART "A"	SEE CHART "B"
		02	06 - MAX						
		03	04 - MAX						
		04	03 - MAX						
C6	P - POLYESTER UNSEALED	01	12 - MAX	N - NON - SHORTING					
		02	06 - MAX						
		03	04 - MAX						
		04	03 - MAX						

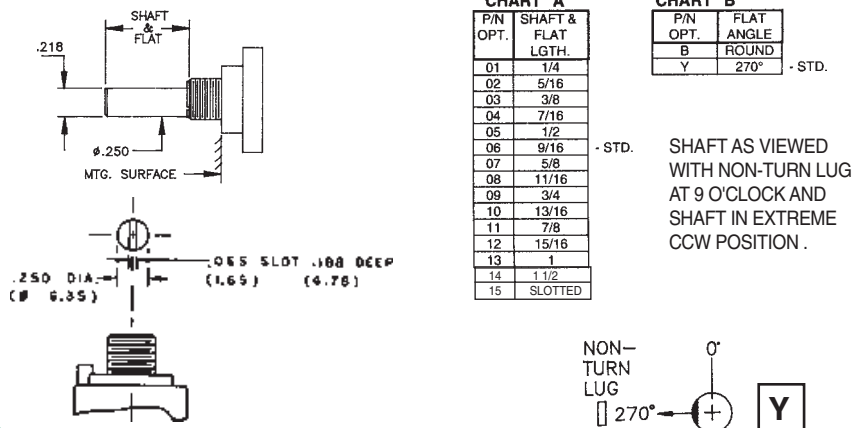
  

CUSTOMERS SPECIFIED ORDER NUMBER FOR STANDARD OPTIONS				ADDITIONAL OPTIONS		
<input type="text"/>	<input type="text"/>	<input type="text"/>	<input type="text"/>	<input type="text"/>	<input type="text"/>	<input type="text"/>
	<b>P</b>	(SPECIFY)	(SPECIFY)	<b>N</b>	(SPECIFY)	(SPECIFY)

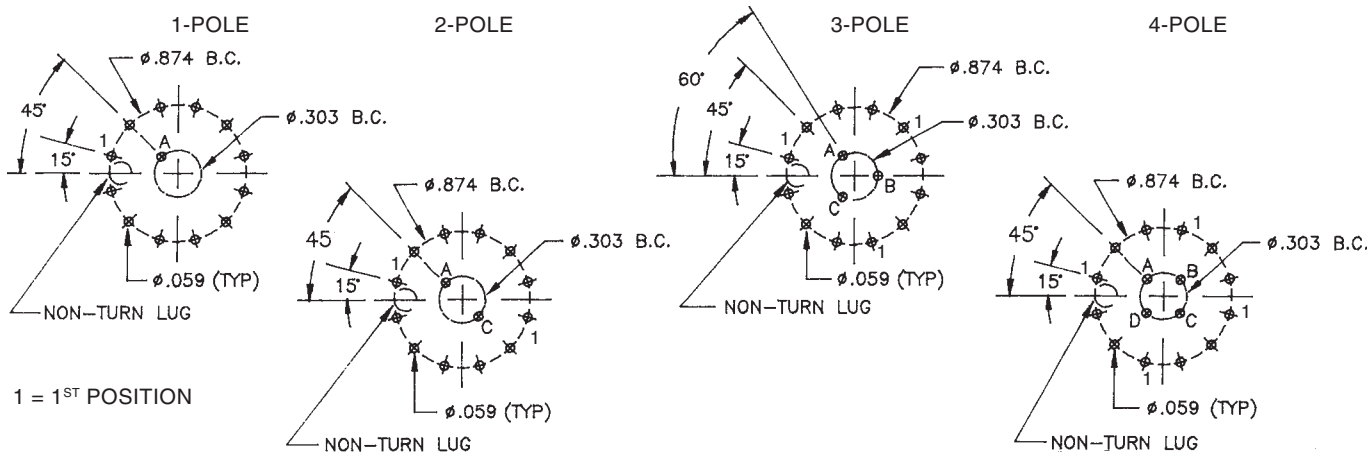
### TERMINAL TYPES



### SHAFT AND FLAT OPTIONS



### PRINTED CIRCUIT BOARD TERMINAL PATTERNS



CUSTOM SWITCHES ARE AVAILABLE. CONTACT THE FACTORY WITH YOUR COMPLETE SPECIFICATIONS.

# Mouser Electronics

Authorized Distributor

Click to View Pricing, Inventory, Delivery & Lifecycle Information:

## Electroswitch:

[C5P0403N-A](#) [C6P0403N-A](#) [C5P0304N-A](#) [C6P0304N-A](#) [C6P0206N-A](#) [C5P0112N-A](#) [C5P0206N-A](#) [C6P0112N-A](#)  
[C5P0206N-RA](#) [C5P0206N-RA03B](#)