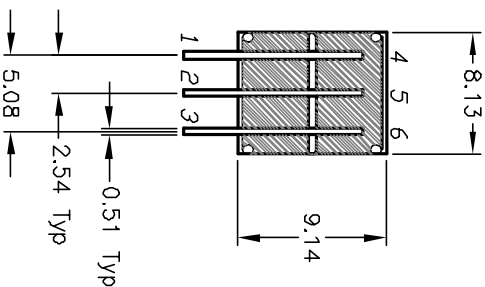
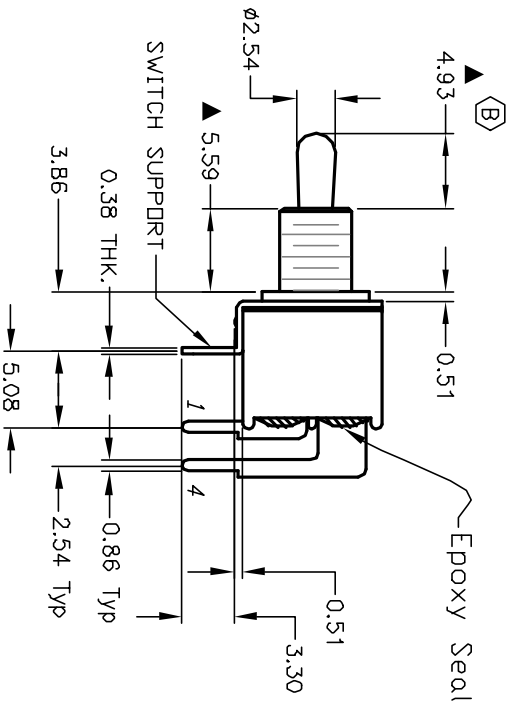
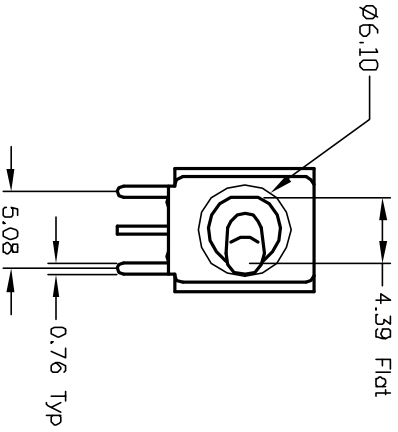
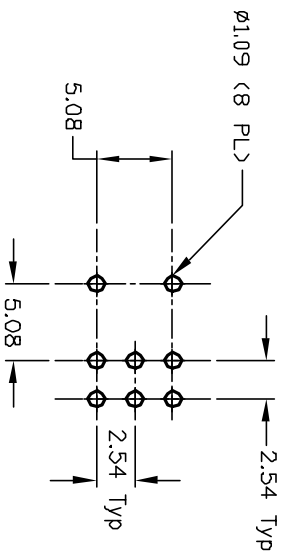
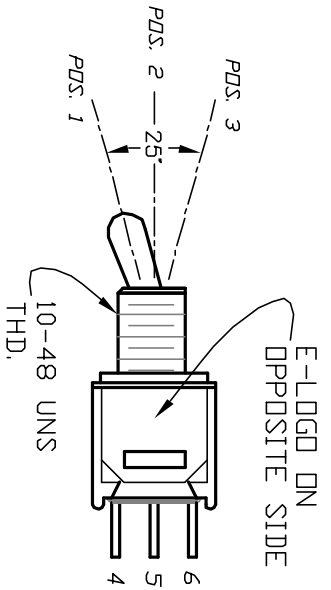


▲ SWITCH FUNCTION		
PDS. 1	PDS. 2	PDS. 3
DN	OFF	DN
2-3,5-6	OPEN	2-1,5-4



NOTES:

1. ALL DIMENSIONS IN MM
2. GENERAL TOLERANCE: 0.0=±0.4  
0.00=±0.25
3. TERM. NOS. FOR REF. ONLY
4. CONTACT RATING: 0.4 (VA) max. @20 VAC or DC max.
5. FIXED TERMINAL & MOVING CONTACT: Cu alloy w/ Au plate over Ni plate.
6. ELECTRIC LIFE: 30,000 make-and-break cycles at full load.
7. INSULATION RESISTANCE: 1,000 M ohm min.
8. DIELECTRIC STRENGTH: 1,000 V RMS @sea level.
9. OPERATING TEMP.: -30°C to 85°C
10. ▲ DENOTES CRITICAL PARAMETER.

<b>B</b>	<b>13198</b>	<b>4.93 WAS 5.33</b>	<b>6/10/03</b>	<b>AR</b>
<b>A</b>	<b>13150</b>	<b>RELEASED FOR PRODUCTION</b>	<b>5/23/03</b>	<b>AR</b>
<b>REV.</b>	<b>ECN No.</b>	<b>DESCRIPTION</b>	<b>DATE</b>	<b>CHKD</b>

THE INFORMATION CONTAINED IN THIS DOCUMENT IS PROPRIETARY TO E-SWITCH AND IS NOT TO BE COPIED OR TRANSFERRED

<b>TITLE</b>		<b>200MDP3T2B1M6RE</b>	
<b>SCALE</b>	<b>2:1</b>	<b>DATE</b>	<b>5/23/03</b>
<b>DR</b>	<b>AR</b>	<b>DWG</b>	<b>T221006</b>
<b>REV</b>	<b>B</b>		

**E-SWITCH®**