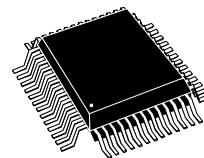


8-BIT OTP/EPROM MCUs WITH A/D CONVERTER, 16-BIT AUTO-RELOAD TIMER, EEPROM, SPI AND UART

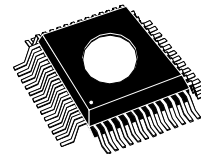
- 3.0 to 6.0V Supply Operating Range
- 8 MHz Maximum Clock Frequency
- -40 to +125°C Operating Temperature Range
- Run, Wait and Stop Modes
- 5 Interrupt Vectors
- Look-up Table capability in Program Memory
- Data Storage in Program Memory:
User selectable size
- Data RAM: 192 bytes
- Data EEPROM: 128 bytes
- User Programmable Options
- 36 I/O pins, fully programmable as:
 - Input with pull-up resistor
 - Input without pull-up resistor
 - Input with interrupt generation
 - Open-drain or push-pull output
 - Analog Input
- 12 I/O lines can sink up to 20mA to drive LEDs or TRIACs directly
- 8-bit Timer/Counter with 7-bit programmable prescaler
- 16-bit Auto-reload Timer with 7-bit programmable prescaler (AR Timer)
- Digital Watchdog
- 8-bit A/D Converter with 24 analog inputs
- 8-bit Synchronous Peripheral Interface (SPI)
- 8-bit Asynchronous Peripheral Interface (UART)
- On-chip Clock oscillator can be driven by Quartz Crystal or Ceramic resonator
- Oscillator Safe Guard
- One external Non-Maskable Interrupt
- ST623x-EMU2 Emulation and Development System (connects to an MS-DOS PC via a parallel port).

DEVICE SUMMARY

DEVICE	OTP (Bytes)	EPROM (Bytes)	I/O Pins
ST62T35B	7948	-	36
ST62E35B	-	7948	36



PQFP52



CQFP52W

(See end of Datasheet for Ordering Information)

Rev. 2.3

Table of Contents

ST62T35B/E35B	1
1 GENERAL DESCRIPTION	5
1.1 INTRODUCTION	5
1.2 PIN DESCRIPTIONS	7
1.3 MEMORY MAP	8
1.3.1 Introduction	8
1.3.2 Program Space	8
1.3.3 Data Space	10
1.3.4 Stack Space	10
1.3.5 Data Window Register (DWR)	11
1.3.6 Data RAM/EEPROM Bank Register (DRBR)	12
1.3.7 EEPROM Description	13
1.4 PROGRAMMING MODES	15
1.4.1 Option Byte	15
1.4.2 Program Memory	15
1.4.3 EEPROM Data Memory	15
1.4.4 EPROM Erasing	15
2 CENTRAL PROCESSING UNIT	16
2.1 INTRODUCTION	16
2.2 CPU REGISTERS	16
3 CLOCKS, RESET, INTERRUPTS AND POWER SAVING MODES	18
3.1 CLOCK SYSTEM	18
3.1.1 Main Oscillator	18
3.1.2 Low Frequency Auxiliary Oscillator (LFAO)	19
3.1.3 Oscillator Safe Guard	19
3.2 RESETS	22
3.2.1 RESET Input	22
3.2.2 Power-on Reset	22
3.2.3 Watchdog Reset	23
3.2.4 Application Notes	23
3.2.5 MCU Initialization Sequence	23
3.3 INTERRUPTS	25
3.3.1 Interrupt request	25
3.3.2 Interrupt Procedure	26
3.3.3 Interrupt Option Register (IOR)	27
3.3.4 Interrupt sources	27
3.4 POWER SAVING MODES	30
3.4.1 WAIT Mode	30
3.4.2 STOP Mode	30
3.4.3 Exit from WAIT and STOP Modes	31

Table of Contents

4 ON-CHIP PERIPHERALS	32
4.1 I/O PORTS	32
4.1.1 Operating Modes	33
4.1.2 Safe I/O State Switching Sequence	34
4.1.3 ARTimer alternate functions	36
4.1.4 SPI alternate functions	36
4.1.5 UART alternate functions	36
4.1.6 I/O Port Option Registers	38
4.1.7 I/O Port Data Direction Registers	38
4.1.8 I/O Port Data Registers	38
4.2 TIMER	39
4.2.1 Timer Operating Modes	40
4.2.2 Timer Interrupt	40
4.2.3 Application Notes	41
4.2.4 Timer Registers	41
4.3 ARTIMER 16	42
4.3.1 CENTRAL COUNTER	43
4.3.2 SIGNAL GENERATION MODES	44
4.3.3 TIMINGS MEASUREMENT MODES	46
4.3.4 INTERRUPT CAPABILITIES	48
4.3.5 CONTROL REGISTERS	49
4.3.6 16-BIT REGISTERS	51
4.4 A/D CONVERTER (ADC)	53
4.4.1 Application Notes	53
4.5 U. A. R. T. (UNIVERSAL ASYNCHRONOUS RECEIVER/TRANSMITTER)	55
4.5.1 PORTS INTERFACING	55
4.5.2 CLOCK GENERATION	56
4.5.3 DATA TRANSMISSION	56
4.5.4 DATA RECEPTION	57
4.5.5 INTERRUPT CAPABILITIES	57
4.5.6 REGISTERS	57
4.6 SERIAL PERIPHERAL INTERFACE (SPI)	59
5 SOFTWARE	61
5.1 ST6 ARCHITECTURE	61
5.2 ADDRESSING MODES	61
5.3 INSTRUCTION SET	62
6 ELECTRICAL CHARACTERISTICS	67
6.1 ABSOLUTE MAXIMUM RATINGS	67
6.2 RECOMMENDED OPERATING CONDITIONS	68
6.3 DC ELECTRICAL CHARACTERISTICS	69
6.4 AC ELECTRICAL CHARACTERISTICS	70
6.5 A/D CONVERTER CHARACTERISTICS	70
6.6 TIMER CHARACTERISTICS	71
6.7 .SPI CHARACTERISTICS	71
6.8 ARTIMER16 ELECTRICAL CHARACTERISTICS	71

Table of Contents

7 GENERAL INFORMATION	72
7.1 PACKAGE MECHANICAL DATA	72
7.2 ORDERING INFORMATION	73
ST62P35B	75
1 GENERAL DESCRIPTION	76
1.1 INTRODUCTION	76
1.2 ORDERING INFORMATION	76
1.2.1 Transfer of Customer Code	76
1.2.2 Listing Generation and Verification	76
ST6235B	79
1 GENERAL DESCRIPTION	80
1.1 INTRODUCTION	80
1.2 ROM READOUT PROTECTION	80
1.3 ORDERING INFORMATION	82
1.3.1 Transfer of Customer Code	82
1.3.2 Listing Generation and Verification	82

1 GENERAL DESCRIPTION

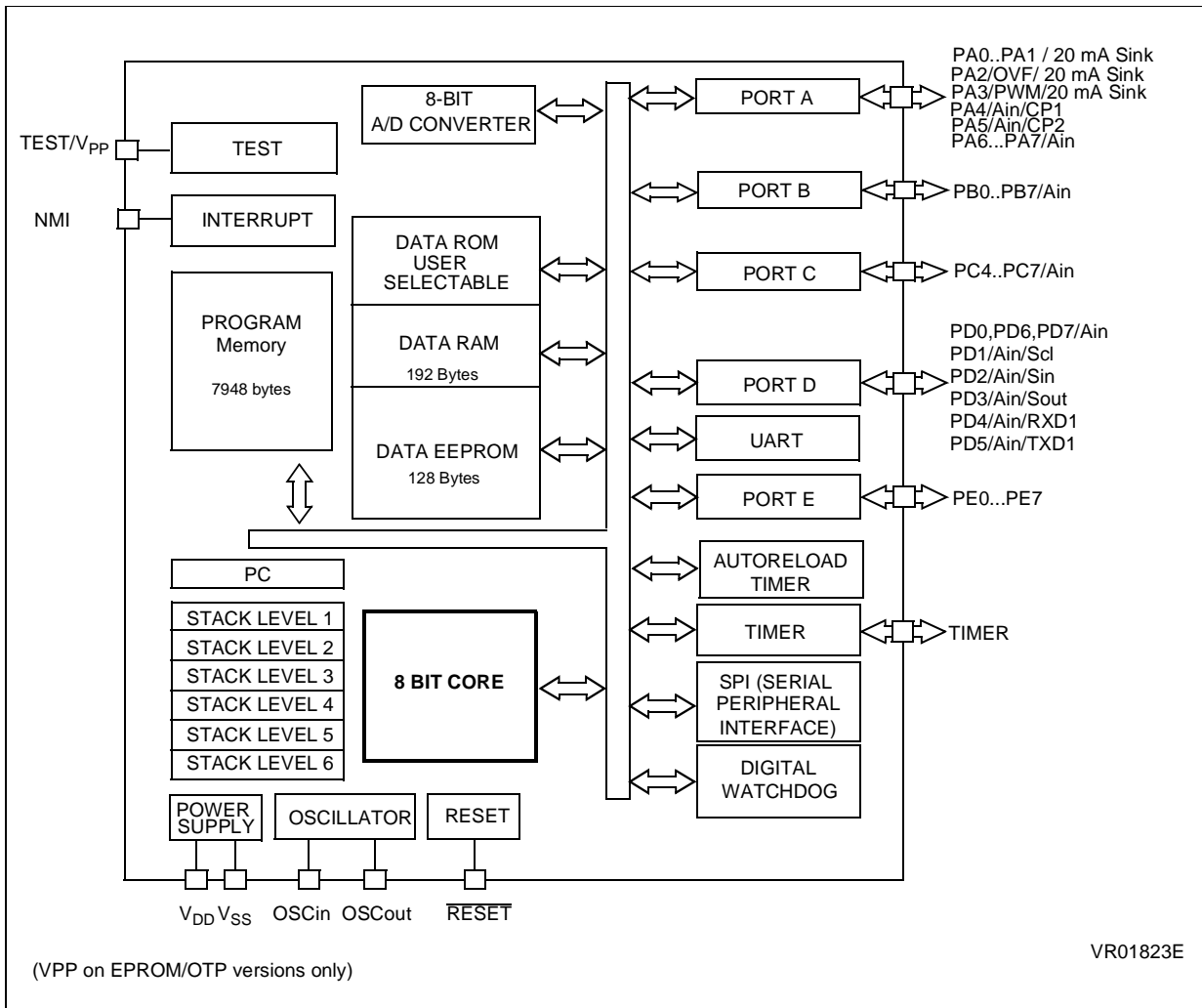
1.1 INTRODUCTION

The ST62T35B and ST62E35B devices are low cost members of the ST62xx 8-bit HCMOS family of microcontrollers, which is targeted at low to medium complexity applications. All ST62xx devices are based on a building block approach: a com-

mon core is surrounded by a number of on-chip peripherals.

The ST62E35B is the erasable EPROM version of the ST62T35B device, which may be used to emulate the ST62T35B device, as well as the respective ST6235B ROM devices.

Figure 1. Block Diagram



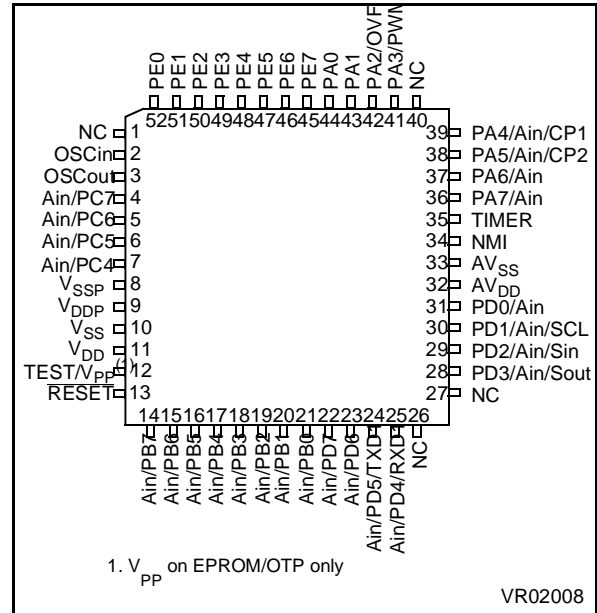
(VPP on EPROM/OTP versions only)

INTRODUCTION (Cont'd)

OTP and EPROM devices are functionally identical. The ROM based versions offer the same functionality selecting as ROM options the options defined in the programmable option byte of the OTP/EPROM versions. OTP devices offer all the advantages of user programmability at low cost, which make them the ideal choice in a wide range of applications where frequent code changes, multiple code versions or last minute programmability are required.

These compact low-cost devices feature a Timer comprising an 8-bit counter and a 7-bit programmable prescaler, an 16-bit Auto-Reload Timer, with 2 input capture channels, EEPROM data capability, a serial synchronous port communication interface (SPI), a serial asynchronous port interface (UART), an 8-bit A/D Converter with 24 analog inputs and a Digital Watchdog timer, making them well suited for a wide range of automotive, appliance and industrial applications.

Figure 2. ST62T35B/E35B Pin Configuration



1.2 PIN DESCRIPTIONS

V_{DD} and V_{SS}. Power is supplied to the MCU via these two pins. V_{DD} is the power connection and V_{SS} is the ground connection.

V_{DDp} and V_{SSp}. Power is supplied to the MCU I/Os independently from the rest of the chip using these two pins. These pins have to be connected to the VDD and VSS pins. It is not allowed to leave any of these pins unconnected or to apply different potentials respectively to V_{DD}/V_{DDp} and V_{SS}/V_{SSp}.

AV_{DD} and AV_{SS}. Power is supplied to the MCU A/D converter independently from the rest of the chip using these two pins.

OSCin and OSCout. These pins are internally connected to the on-chip oscillator circuit. A quartz crystal, a ceramic resonator or an external clock signal can be connected between these two pins. The OSCin pin is the input pin, the OSCout pin is the output pin.

RESET. The active-low $\overline{\text{RESET}}$ pin is used to restart the microcontroller.

TEST/V_{pp}. The TEST must be held at V_{SS} for normal operation. If TEST pin is connected to a +12.5V level during the reset phase, the EPROM/OTP programming Mode is entered.

NMI. The NMI pin provides the capability for asynchronous interruption, by applying an external non maskable interrupt to the MCU. The NMI input is falling edge sensitive with Schmitt trigger characteristics. The user can select as option the availability of an on-chip pull-up at this pin.

PA0-PA7. These 8 lines are organised as one I/O port (A). Each line may be configured under software control as inputs with or without internal pull-up resistors, interrupt generating inputs with pull-up resistors, open-drain or push-pull outputs. PA2/OVF, PA3/PWM, PA4/CP1 and PA5/CP2 can be used respectively as overflow output pin, output compare pin, and as two input capture pins for the embedded 16-bit Auto-Reload Timer.

In addition, PA4-PA5 can also be used as analog inputs for the A/D converter while PA0-PA3 can sink 20mA for direct LED or TRIAC drive.

PB0...PB7 These 8 lines are organised as one I/O port (B). Each line may be configured under software control as inputs with or without internal pull-up resistors, interrupt generating inputs with pull-up resistors, open-drain or push-pull outputs, analog inputs for the A/D converter.

PC4-PC7. These 4 lines are organised as one I/O port (C). Each line may be configured under software control as input with or without internal pull-up resistor, interrupt generating input with pull-up resistor, analog input for the A/D converter, open-drain or push-pull output.

PD0...PD7. These 8 lines are organised as one I/O port (portD). Each line may be configured under software control as input with or without internal pull-up resistor, interrupt generating input with pull-up resistor, analog input open-drain or push-pull output. In addition, the pins PD5/TXD1 and PD4/RXD1 can be used as UART output (PD5/TXD1) or UART input (PD4/RXD1). The pins PD3/Sout, PD2/Sin and PD1/SCL can also be used respectively as data out, data in and Clock pins for the on-chip SPI.

PE0...PE7. These 8 lines are organised as one I/O port (PE). Each line may be configured under software control as input with or without internal pull-up resistor, interrupt generation input with pull-up resistor, open-drain or push-pull output. In output mode, these lines can also sink 20mA for direct LED and TRIAC driving.

TIMER. This is the TIMER 1 I/O pin. In input mode, it is connected to the prescaler and acts as external timer clock or as control gate for the internal timer clock. In output mode, the TIMER pin outputs the data bit when a time-out occurs. The user can select as option the availability of an on-chip pull-up at this pin.

1.3 MEMORY MAP

1.3.1 Introduction

The MCU operates in three separate memory spaces: Program space, Data space, and Stack space. Operation in these three memory spaces is described in the following paragraphs.

Briefly, Program space contains user program code in Program memory and user vectors; Data space contains user data in RAM and in Program memory, and Stack space accommodates six levels of stack for subroutine and interrupt service routine nesting.

1.3.2 Program Space

Program Space comprises the instructions to be executed, the data required for immediate addressing mode instructions, the reserved factory test area and the user vectors. Program Space is addressed via the 12-bit Program Counter register (PC register).

Program Space is organised in four 2K pages. Three of them are addressed in the 000h-7FFh locations of the Program Space by the Program Counter and by writing the appropriate code in the Program ROM Page Register (PRPR register). A

common (STATIC) 2K page is available all the time for interrupt vectors and common subroutines, independently of the PRPR register content. This "STATIC" page is directly addressed in the 0800h-0FFFh by the MSB of the Program Counter register PC 11. Note this page can also be addressed in the 000-7FFh range. It is two different ways of addressing the same physical memory.

Jump from a dynamic page to another dynamic page is achieved by jumping back to the static page, changing contents of PRPR and then jumping to the new dynamic page.

Figure 3. 8Kbytes Program Space Addressing

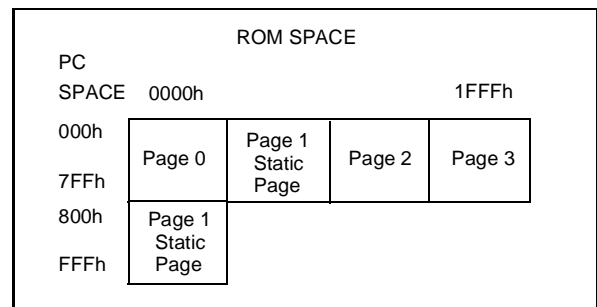
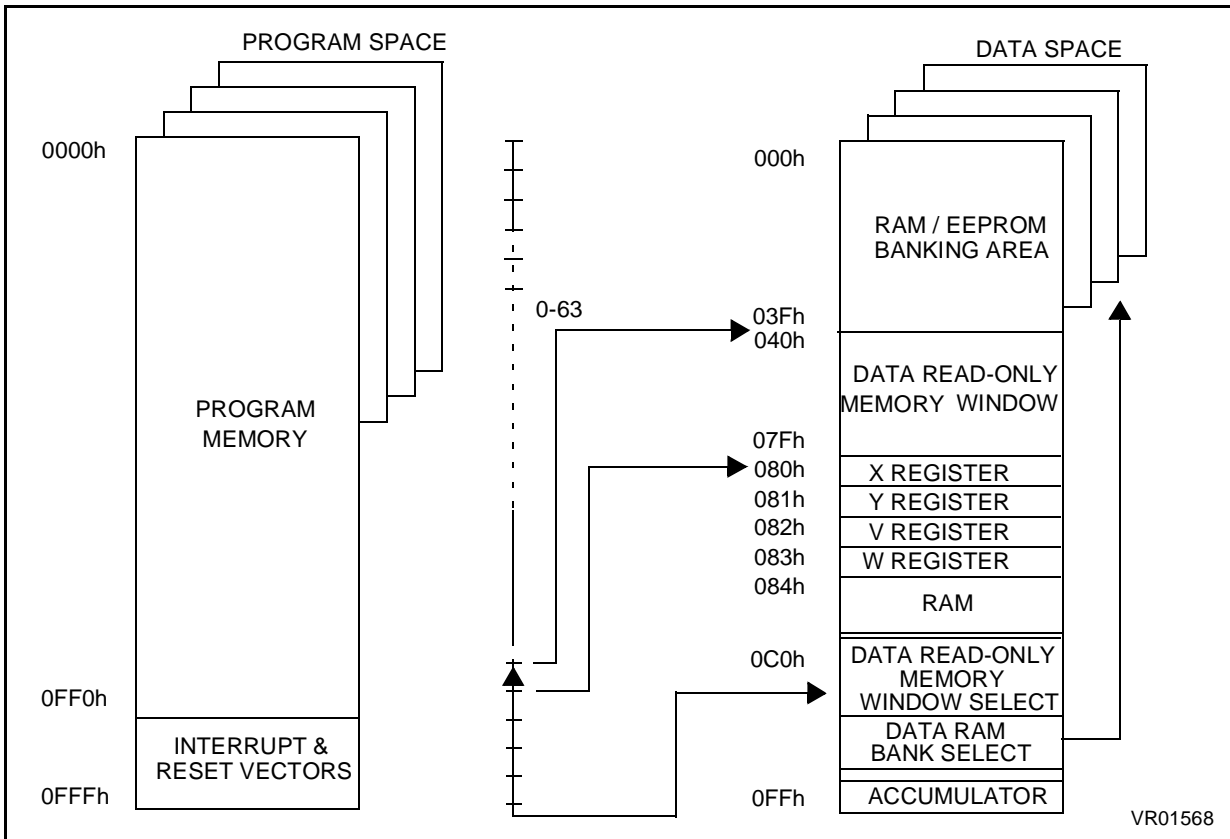


Figure 4. Memory Addressing Diagram



MEMORY MAP (Cont'd)

Table 1. ST62E35B/T35B Program Memory Map

ROM Page	Device Address	Description
Page 0	0000h-007Fh 0080h-07FFh	Reserved User ROM
Page 1 "STATIC"	0800h-0F9Fh 0FA0h-0FEFh 0FF0h-0FF7h 0FF8h-0FFBh 0FFCh-0FFDh 0FFEh-0FFFh	User ROM Reserved Interrupt Vectors Reserved NMI Vector Reset Vector
Page 2	0000h-000Fh 0010h-07FFh	Reserved User ROM
Page 3	0000h-000Fh 0010h-07FFh	Reserved User ROM

Note: OTP/EPROM devices can be programmed with the development tools available from SGS-THOMSON (ST62E3X-EPB or ST623X-KIT).

1.3.2.1 Program ROM Page Register (PRPR)

The PRPR register can be addressed like a RAM location in the Data Space at the address CAh ; nevertheless it is a write only register that cannot be accessed with single-bit operations. This register is used to select the 2-Kbyte ROM bank of the Program Space that will be addressed. The number of the page has to be loaded in the PRPR register. Refer to the Program Space description for additional information concerning the use of this register. The PRPR register is not modified when an interrupt or a subroutine occurs.

Care is required when handling the PRPR register as it is write only. For this reason, it is not allowed to change the PRPR contents while executing interrupt service routine, as the service routine cannot save and then restore its previous content. This operation may be necessary if common routines and interrupt service routines take more than 2K bytes ; in this case it could be necessary to divide the interrupt service routine into a (minor) part in the static page (start and end) and to a second (major) part in one of the dynamic pages. If it is impossible to avoid the writing of this register in interrupt service routines, an image of this register must be saved in a RAM location, and each time the program writes to the PRPR it must write also to the image register. The image register must be written before PRPR, so if an interrupt occurs between the two instructions the PRPR is not affected.

Program ROM Page Register (PRPR)

Address: CAh — Write Only

7							0
-	-	-	-	-	-	PRPR0	PRPR1

Bits 2-7= Not used.

Bit 5-0 = **PRPR1-PRPR0**: *Program ROM Select*. These two bits select the corresponding page to be addressed in the lower part of the 4K program address space as specified in [Table 2](#).

This register is undefined on Reset. Neither read nor single bit instructions may be used to address this register.

Table 2. 8Kbytes Program ROM Page Register Coding

PRPR1	PRPR0	PC bit 11	Memory Page
X	X	1	Static Page (Page 1)
0	0	0	Page 0
0	1	0	Page 1 (Static Page)
1	0	0	Page 2
1	1	0	Page 3

1.3.2.2 Program Memory Protection

The Program Memory in OTP or EPROM devices can be protected against external readout of memory by selecting the READOUT PROTECTION option in the option byte.

In the EPROM parts, READOUT PROTECTION option can be deactivated only by U.V. erasure that also results into the whole EPROM context erasure.

Note: Once the Readout Protection is activated, it is no longer possible, even for SGS-THOMSON, to gain access to the Program memory contents. Returned parts with a protection set can therefore not be accepted.

MEMORY MAP (Cont'd)

1.3.3 Data Space

Data Space accommodates all the data necessary for processing the user program. This space comprises the RAM resource, the processor core and peripheral registers, as well as read-only data such as constants and look-up tables in Program memory.

1.3.3.1 Data ROM

All read-only data is physically stored in program memory, which also accommodates the Program Space. The program memory consequently contains the program code to be executed, as well as the constants and look-up tables required by the application.

The Data Space locations in which the different constants and look-up tables are addressed by the processor core may be thought of as a 64-byte window through which it is possible to access the read-only data stored in Program memory.

1.3.3.2 Data RAM/EEPROM

In ST6235B and ST62E35B devices, the data space includes 60 bytes of RAM, the accumulator (A), the indirect registers (X), (Y), the short direct registers (V), (W), the I/O port registers, the peripheral data and control registers, the interrupt option register and the Data ROM Window register (DRW register).

Additional RAM and EEPROM pages can also be addressed using banks of 64 bytes located between addresses 00ST62T35B and ST62E35Bh and 3Fh.

1.3.4 Stack Space

Stack space consists of six 12-bit registers which are used to stack subroutine and interrupt return addresses, as well as the current program counter contents.

Table 3. Additional RAM/EEPROM Banks.

Device	RAM	EEPROM
ST62T35B	2 x 64 bytes	2 x 64 bytes

Table 4. ST62T35B Data Memory Space

DATA and EEPROM	000h
	03Fh
DATA ROM WINDOW AREA	040h
	07Fh
X REGISTER	080h
Y REGISTER	081h
V REGISTER	082h
W REGISTER	083h
	084h
DATA RAM	0BFh
	0C0h
PORT A DATA REGISTER	0C0h
PORT B DATA REGISTER	0C1h
PORT C DATA REGISTER	0C2h
PORT D DATA REGISTER	0C3h
PORT A DIRECTION REGISTER	0C4h
PORT B DIRECTION REGISTER	0C5h
PORT C DIRECTION REGISTER	0C6h
PORT D DIRECTION REGISTER	0C7h
INTERRUPT OPTION REGISTER	0C8h*
DATA ROM WINDOW REGISTER	0C9h*
ROM BANK SELECT REGISTER	0CAh*
RAM/EEPROM BANK SELECT REGISTER	0CBh*
PORT A OPTION REGISTER	0CCh
PORT B OPTION REGISTER	0CDh
PORT C OPTION REGISTER	0CEh
PORT D OPTION REGISTER	0CFh
A/D DATA REGISTER	0D0h
A/D CONTROL REGISTER	0D1h
TIMER 1 PRESCALER REGISTER	0D2h
TIMER 1 COUNTER REGISTER	0D3h
TIMER 1 STATUS/CONTROL REGISTER	0D4h
RESERVED	0D5h
UART DATA SHIFT REGISTER	0D6h
UART STATUS CONTROL REGISTER	0D7h
WATCHDOG REGISTER	0D8h
RESERVED	0D9h
I/O INTERRUPT POLARITY REGISTER	0DAh
OSCILLATOR CONTROL REGISTER	0DBh
SPI INTERRUPT DISABLE REGISTER	0DCh*
SPI DATA REGISTER	0DDh
RESERVED	0DEh
EEPROM CONTROL REGISTER	0DFh
ARTIM16 COMPARE MASK REG. LOW BYTE MASK	0E0h
ARTIM16 2ND STATUS CONTROL REGISTER SCR2	0E1h
ARTIM16 3RD STATUS CONTROL REGISTER SCR3	0E2h
ARTIM16 4TH STATUS CONTROL REGISTER SCR4	0E3h
ARTIM16 1ST STATUS CONTROL REGISTER SCR1	0E8h
ARTIM16 RELOAD CAPTURE REG. HIGH BYTE RLCP	0E9h
ARTIM16 RELOAD CAPTURE REG. LOW BYTE RLCP	0EAh
ARTIM16 CAPTURE REGISTER HIGH BYTE CP	0EBh
ARTIM16 CAPTURE REGISTER LOW BYTE CP	0ECh
ARTIM16 COMPARE VALUE REGISTER HIGH BYTE CMP	0EDh
ARTIM16 COMPARE VALUE REGISTER LOW BYTE CMP	0EEh
ARTIM16 COMPARE MASK REG. HIGH BYTE MASK	0EFh
RESERVED	0F0h
	0FBh
PORT E DATA REGISTER	0FCh
PORT E DIRECTION REGISTER	0FDh
PORT E OPTION REGISTER	0FEh
ACCUMULATOR	0FFh

* WRITE ONLY REGISTER



MEMORY MAP (Cont'd)

1.3.5 Data Window Register (DWR)

The Data read-only memory window is located from address 0040h to address 007Fh in Data space. It allows direct reading of 64 consecutive bytes located anywhere in program memory, between address 0000h and 1FFFh (top memory address depends on the specific device). All the program memory can therefore be used to store either instructions or read-only data. Indeed, the window can be moved in steps of 64 bytes along the program memory by writing the appropriate code in the Data Window Register (DWR).

The DWR can be addressed like any RAM location in the Data Space, it is however a write-only register and therefore cannot be accessed using single-bit operations. This register is used to position the 64-byte read-only data window (from address 40h to address 7Fh of the Data space) in program memory in 64-byte steps. The effective address of the byte to be read as data in program memory is obtained by concatenating the 6 least significant bits of the register address given in the instruction (as least significant bits) and the content of the DWR register (as most significant bits), as illustrated in Figure 5 below. For instance, when addressing location 0040h of the Data Space, with 0 loaded in the DWR register, the physical location addressed in program memory is 00h. The DWR register is not cleared on reset, therefore it must be written to prior to the first access to the Data read-only memory window area.

Data Window Register (DWR)

Address: 0C9h — Write Only

7							0
-	DWR6	DWR5	DWR4	DWR3	DWR2	DWR1	DWR0

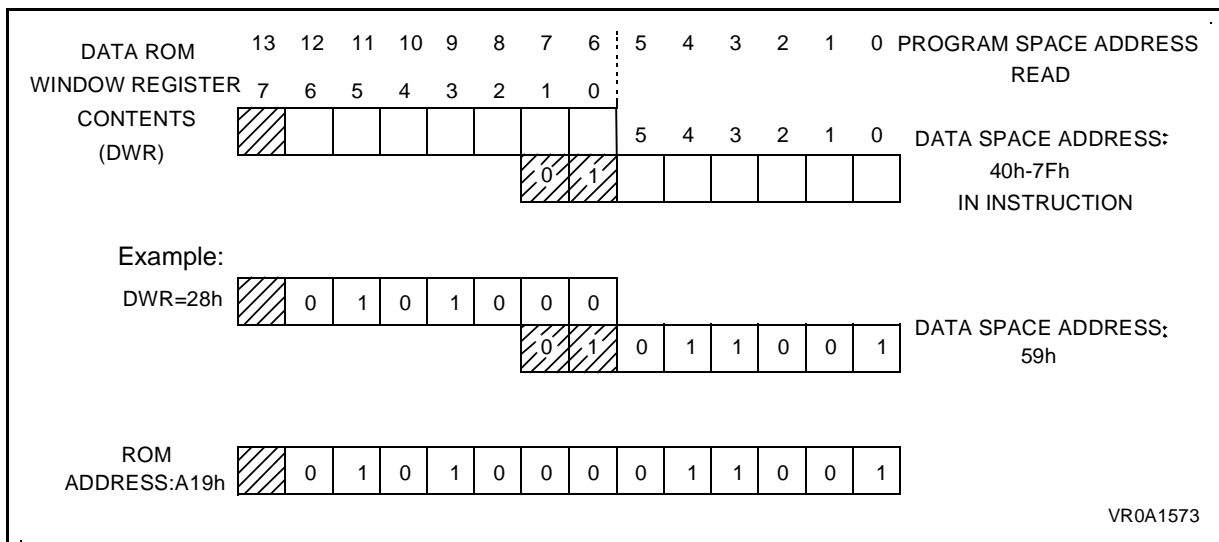
Bits 7 = Not used.

Bit 6-0 = **DWR5-DWR0**: *Data read-only memory Window Register Bits*. These are the Data read-only memory Window bits that correspond to the upper bits of the data read-only memory space.

Caution: *This register is undefined on reset. Neither read nor single bit instructions may be used to address this register.*

Note: Care is required when handling the DWR register as it is write only. For this reason, the DWR contents should not be changed while executing an interrupt service routine, as the service routine cannot save and then restore the register's previous contents. If it is impossible to avoid writing to the DWR during the interrupt service routine, an image of the register must be saved in a RAM location, and each time the program writes to the DWR, it must also write to the image register. The image register must be written first so that, if an interrupt occurs between the two instructions, the DWR is not affected.

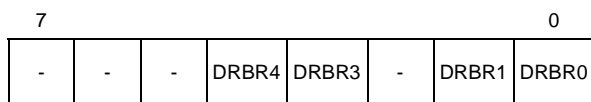
Figure 5. Data read-only memory Window Memory Addressing



MEMORY MAP (Cont'd)

1.3.6 Data RAM/EEPROM Bank Register (DRBR)

Address: CBh — Write only



Bit 7-5 = These bits are not used

Bit 4 - **DRBR4**. This bit, when set, selects RAM Page 2.

Bit 3 - **DRBR3**. This bit, when set, selects RAM Page 1.

Bit 2. This bit is not used.

Bit 1 - **DRBR1**. This bit, when set, selects EEPROM Page 1.

Bit 0 - **DRBR0**. This bit, when set, selects EEPROM Page 0.

The selection of the bank is made by programming the Data RAM Bank Switch register (DRBR register) located at address CBh of the Data Space according to Table 1. No more than one bank should be set at a time.

The DRBR register can be addressed like a RAM Data Space at the address CBh; nevertheless it is a write only register that cannot be accessed with single-bit operations. This register is used to select the desired 64-byte RAM/EEPROM bank of the Data Space. The number of banks has to be loaded in the DRBR register and the instruction

has to point to the selected location as if it was in bank 0 (from 00h address to 3Fh address).

This register is not cleared during the MCU initialization, therefore it must be written before the first access to the Data Space bank region. Refer to the Data Space description for additional information. The DRBR register is not modified when an interrupt or a subroutine occurs.

Notes :

Care is required when handling the DRBR register as it is write only. For this reason, it is not allowed to change the DRBR contents while executing interrupt service routine, as the service routine cannot save and then restore its previous content. If it is impossible to avoid the writing of this register in interrupt service routine, an image of this register must be saved in a RAM location, and each time the program writes to DRBR it must write also to the image register. The image register must be written first, so if an interrupt occurs between the two instructions the DRBR is not affected.

In DRBR Register, only 1 bit must be set. Otherwise two or more pages are enabled in parallel, producing errors.

Table 5. Data RAM Bank Register Set-up

DRBR	ST62T35B
00	None
01	EEPROM Page 0
02	EEPROM Page 1
08	RAM Page 1
10h	RAM Page 2
other	Reserved

MEMORY MAP (Cont'd)**1.3.7 EEPROM Description**

EEPROM memory is located in 64-byte pages in data space. This memory may be used by the user program for non-volatile data storage.

Data space from 00h to 3Fh is paged as described in [Table 6](#). EEPROM locations are accessed directly by addressing these paged sections of data space.

The EEPROM does not require dedicated instructions for read or write access. Once selected via the Data RAM Bank Register, the active EEPROM page is controlled by the EEPROM Control Register (EECTL), which is described below.

Bit E20FF of the EECTL register must be reset prior to any write or read access to the EEPROM. If no bank has been selected, or if E2OFF is set, any access is meaningless.

Programming must be enabled by setting the E2ENA bit of the EECTL register.

The E2BUSY bit of the EECTL register is set when the EEPROM is performing a programming cycle. Any access to the EEPROM when E2BUSY is set is meaningless.

Provided E2OFF and E2BUSY are reset, an EEPROM location is read just like any other data location, also in terms of access time.

Writing to the EEPROM may be carried out in two modes: Byte Mode (BMODE) and Parallel Mode

(PMODE). In BMODE, one byte is accessed at a time, while in PMODE up to 8 bytes in the same row are programmed simultaneously (with consequent speed and power consumption advantages, the latter being particularly important in battery powered circuits).

General Notes:

Data should be written directly to the intended address in EEPROM space. There is no buffer memory between data RAM and the EEPROM space.

When the EEPROM is busy (E2BUSY = "1") EECTL cannot be accessed in write mode, it is only possible to read the status of E2BUSY. This implies that as long as the EEPROM is busy, it is not possible to change the status of the EEPROM Control Register. EECTL bits 4 and 5 are reserved and must never be set.

Care is required when dealing with the EECTL register, as some bits are write only. For this reason, the EECTL contents must not be altered while executing an interrupt service routine.

If it is impossible to avoid writing to this register within an interrupt service routine, an image of the register must be saved in a RAM location, and each time the program writes to EECTL it must also write to the image register. The image register must be written to first so that, if an interrupt occurs between the two instructions, the EECTL will not be affected.

Table 6. Row Arrangement for Parallel Writing of EEPROM Locations

Byte	0	1	2	3	4	5	6	7	Dataspace addresses. Banks 0 and 1.
ROW7									38h-3Fh
ROW6									30h-37h
ROW5									28h-2Fh
ROW4									20h-27h
ROW3									18h-1Fh
ROW2									10h-17h
ROW1									08h-0Fh
ROW0									00h-07h

Up to 8 bytes in each row may be programmed simultaneously in Parallel Write mode.
The number of available 64-byte banks (1 or 2) is device dependent.

MEMORY MAP (Cont'd)

Additional Notes on Parallel Mode:

If the user wishes to perform parallel programming, the first step should be to set the E2PAR2 bit. From this time on, the EEPROM will be addressed in write mode, the ROW address will be latched and it will be possible to change it only at the end of the programming cycle, or by resetting E2PAR2 without programming the EEPROM. After the ROW address is latched, the MCU can only “see” the selected EEPROM row and any attempt to write or read other rows will produce errors.

The EEPROM should not be read while E2PAR2 is set.

As soon as the E2PAR2 bit is set, the 8 volatile ROW latches are cleared. From this moment on, the user can load data in all or in part of the ROW. Setting E2PAR1 will modify the EEPROM registers corresponding to the ROW latches accessed after E2PAR2. For example, if the software sets E2PAR2 and accesses the EEPROM by writing to addresses 18h, 1Ah and 1Bh, and then sets E2PAR1, these three registers will be modified simultaneously; the remaining bytes in the row will be unaffected.

Note that E2PAR2 is internally reset at the end of the programming cycle. This implies that the user must set the E2PAR2 bit between two parallel programming cycles. Note that if the user tries to set E2PAR1 while E2PAR2 is not set, there will be no programming cycle and the E2PAR1 bit will be unaffected. Consequently, the E2PAR1 bit cannot be set if E2ENA is low. The E2PAR1 bit can be set by the user, only if the E2ENA and E2PAR2 bits are also set.

EEPROM Control Register (EECTL)

Address: DFh — Read/Write

Reset status: 00h

7							0
D7	E2OFF	D5	D4	E2PAR1	E2PAR2	E2BUSY	E2ENA

Bit 7 = **D7**: *Unused.*

Bit 6 = **E2OFF**: *Stand-by Enable Bit. WRITE ONLY.* If this bit is set the EEPROM is disabled (any access will be meaningless) and the power consumption of the EEPROM is reduced to its lowest value.

Bit 5-4 = **D5-D4**: *Reserved. MUST be kept reset.*

Bit 3 = **E2PAR1**: *Parallel Start Bit. WRITE ONLY.* Once in Parallel Mode, as soon as the user software sets the E2PAR1 bit, parallel writing of the 8 adjacent registers will start. This bit is internally reset at the end of the programming procedure. Note that less than 8 bytes can be written if required, the undefined bytes being unaffected by the parallel programming cycle; this is explained in greater detail in the Additional Notes on Parallel Mode overleaf.

Bit 2 = **E2PAR2**: *Parallel Mode En. Bit. WRITE ONLY.* This bit must be set by the user program in order to perform parallel programming. If E2PAR2 is set and the parallel start bit (E2PAR1) is reset, up to 8 adjacent bytes can be written simultaneously. These 8 adjacent bytes are considered as a row, whose address lines A7, A6, A5, A4, A3 are fixed while A2, A1 and A0 are the changing bits, as illustrated in Table 6. E2PAR2 is automatically reset at the end of any parallel programming procedure. It can be reset by the user software before starting the programming procedure, thus leaving the EEPROM registers unchanged.

Bit 1 = **E2BUSY**: *EEPROM Busy Bit. READ ONLY.* This bit is automatically set by the EEPROM control logic when the EEPROM is in programming mode. The user program should test it before any EEPROM read or write operation; any attempt to access the EEPROM while the busy bit is set will be aborted and the writing procedure in progress will be completed.

Bit 0 = **E2ENA**: *EEPROM Enable Bit. WRITE ONLY.* This bit enables programming of the EEPROM cells. It must be set before any write to the EEPROM register. Any attempt to write to the EEPROM when E2ENA is low is meaningless and will not trigger a write cycle.



1.4 PROGRAMMING MODES

1.4.1 Option Byte

The Option Byte allows configuration capability to the MCUs. Option byte's content is automatically read, and the selected options enabled, when the chip reset is activated.

It can only be accessed during the programming mode. This access is made either automatically (copy from a master device) or by selecting the OPTION BYTE PROGRAMMING mode of the programmer.

The option byte is located in a non-user map. No address has to be specified.

EPROM Code Option Byte

7							0
-	PORT PULL	EXTCNTL	PROTECT	TIM PULL	NMI PULL	WDACT	OSGEN

Bit 7. Reserved.

Bit 6 = **PORT PULL**. This bit must be set high to have pull-up input state at reset on the I/O port. When this bit is low, I/O ports are in input without pull-up (high impedance) state at reset

Bit 5 = **EXTCNTL**. This bit selects the External STOP Mode capability. When EXTCNTL is high, pin NMI controls if the STOP mode can be accessed when the watchdog is active. When EXTCNTL is low, the STOP instruction is processed as a WAIT as soon as the watchdog is active.

Bit 4 = **PROTECT**. This bit allows the protection of the software contents against piracy. When the bit PROTECT is set high, readout of the OTP contents is prevented by hardware. No programming equipment is able to gain access to the user program. When this bit is low, the user program can be read.

Bit 3 = **TIM PULL**. This bit must be set high to configure the TIMER pin with a pull up resistor. When it is low, no pull up is provided.

Bit 2 = **NMI PULL**. This bit must be set high to configure the NMI pin with a pull up resistor when it is low, no pull up is provided.

Bit 1 = **WDACT**. This bit controls the watchdog activation. When it is high, hardware activation is selected. The software activation is selected when WDACT is low.

Bit 0 = **OSGEN**. This bit must be set high to enable the oscillator Safe Guard. When this bit is low, the OSG is disabled.

The Option byte is written during programming either by using the PC menu (PC driven Mode) or automatically (stand-alone mode)

1.4.2 Program Memory

EPROM/OTP programming mode is set by a +12.5V voltage applied to the TEST/V_{PP} pin. The programming flow of the ST62T35B is described in the User Manual of the EPROM Programming Board.

The MCUs can be programmed with the ST62E3xB EPROM programming tools available from SGS-THOMSON.

1.4.3 EEPROM Data Memory

EEPROM data pages are supplied in the virgin state FFh. Partial or total programming of EEPROM data memory can be performed either through the application software, or through an external programmer. Any SGS-THOMSON tool used for the program memory (OTP/EPROM) can also be used to program the EEPROM data memory.

1.4.4 EPROM Erasing

The EPROM of the windowed package of the MCUs may be erased by exposure to Ultra Violet light. The erasure characteristic of the MCUs is such that erasure begins when the memory is exposed to light with a wave lengths shorter than approximately 4000Å. It should be noted that sunlights and some types of fluorescent lamps have wavelengths in the range 3000-4000Å.

It is thus recommended that the window of the MCUs packages be covered by an opaque label to prevent unintentional erasure problems when testing the application in such an environment.

The recommended erasure procedure of the MCUs EPROM is the exposure to short wave ultraviolet light which have a wave-length 2537Å. The integrated dose (i.e. U.V. intensity x exposure time) for erasure should be a minimum of 15W-sec/cm². The erasure time with this dosage is approximately 15 to 20 minutes using an ultraviolet lamp with 12000µW/cm² power rating. The ST62E35B should be placed within 2.5cm (1Inch) of the lamp tubes during erasure.

2 CENTRAL PROCESSING UNIT

2.1 INTRODUCTION

The CPU Core of ST6 devices is independent of the I/O or Memory configuration. As such, it may be thought of as an independent central processor communicating with on-chip I/O, Memory and Peripherals via internal address, data, and control buses. In-core communication is arranged as shown in Figure 6; the controller being externally linked to both the Reset and Oscillator circuits, while the core is linked to the dedicated on-chip peripherals via the serial data bus and indirectly, for interrupt purposes, through the control registers.

2.2 CPU REGISTERS

The ST6 Family CPU core features six registers and three pairs of flags available to the programmer. These are described in the following paragraphs.

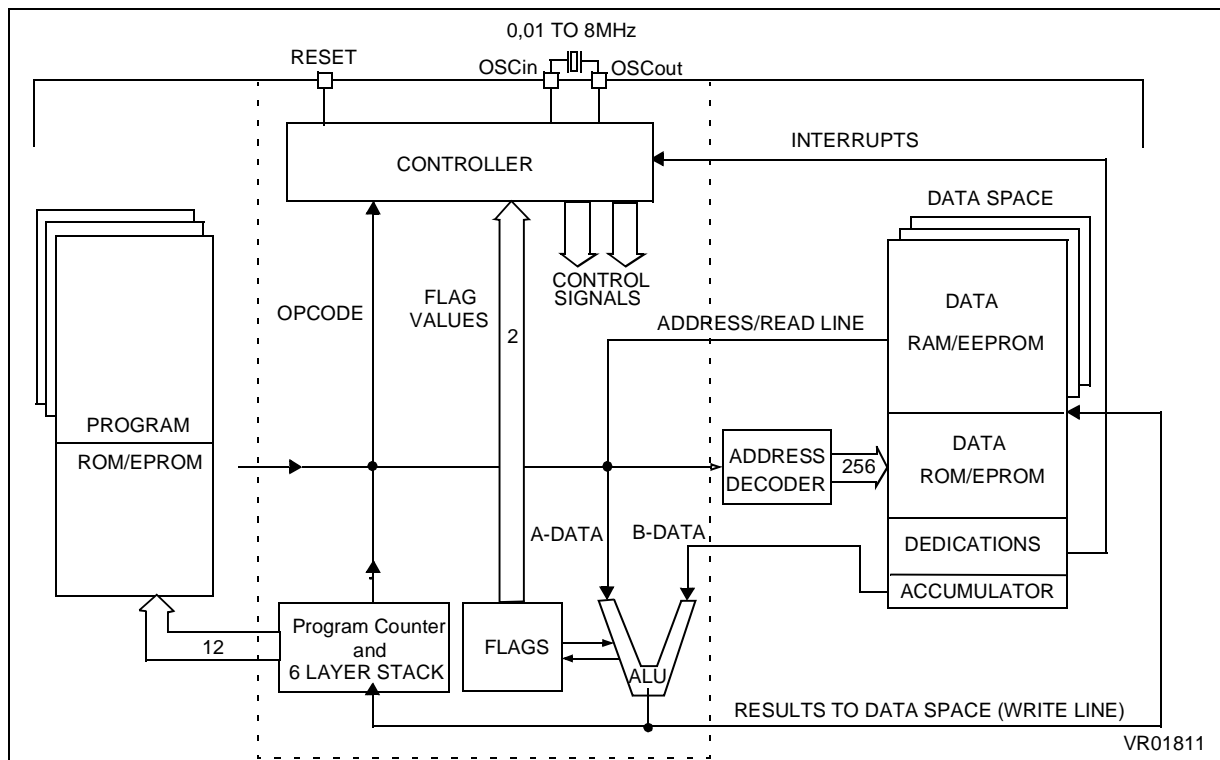
Accumulator (A). The accumulator is an 8-bit general purpose register used in all arithmetic calculations, logical operations, and data manipulations. The accumulator can be addressed in Data space as a RAM location at address FFh. Thus the ST6 can manipulate the accumulator just like any other register in Data space.

Indirect Registers (X, Y). These two indirect registers are used as pointers to memory locations in Data space. They are used in the register-indirect addressing mode. These registers can be addressed in the data space as RAM locations at addresses 80h (X) and 81h (Y). They can also be accessed with the direct, short direct, or bit direct addressing modes. Accordingly, the ST6 instruction set can use the indirect registers as any other register of the data space.

Short Direct Registers (V, W). These two registers are used to save a byte in short direct addressing mode. They can be addressed in Data space as RAM locations at addresses 82h (V) and 83h (W). They can also be accessed using the direct and bit direct addressing modes. Thus, the ST6 instruction set can use the short direct registers as any other register of the data space.

Program Counter (PC). The program counter is a 12-bit register which contains the address of the next ROM location to be processed by the core. This ROM location may be an opcode, an operand, or the address of an operand. The 12-bit length allows the direct addressing of 4096 bytes in Program space.

Figure 6 ST6 Core Block Diagram



CPU REGISTERS (Cont'd)

However, if the program space contains more than 4096 bytes, the additional memory in program space can be addressed by using the Program Bank Switch register.

The PC value is incremented after reading the address of the current instruction. To execute relative jumps, the PC and the offset are shifted through the ALU, where they are added; the result is then shifted back into the PC. The program counter can be changed in the following ways:

- JP (Jump) instruction PC=Jump address
- CALL instruction PC= Call address
- Relative Branch Instruction. PC= PC +/- offset
- Interrupt PC=Interrupt vector
- Reset PC= Reset vector
- RET & RETI instructions PC= Pop (stack)
- Normal instruction PC= PC + 1

Flags (C, Z). The ST6 CPU includes three pairs of flags (Carry and Zero), each pair being associated with one of the three normal modes of operation: Normal mode, Interrupt mode and Non Maskable Interrupt mode. Each pair consists of a CARRY flag and a ZERO flag. One pair (CN, ZN) is used during Normal operation, another pair is used during Interrupt mode (CI, ZI), and a third pair is used in the Non Maskable Interrupt mode (CNMI, ZNMI).

The ST6 CPU uses the pair of flags associated with the current mode: as soon as an interrupt (or a Non Maskable Interrupt) is generated, the ST6 CPU uses the Interrupt flags (resp. the NMI flags) instead of the Normal flags. When the RETI instruction is executed, the previously used set of flags is restored. It should be noted that each flag set can only be addressed in its own context (Non Maskable Interrupt, Normal Interrupt or Main routine). The flags are not cleared during context switching and thus retain their status.

The Carry flag is set when a carry or a borrow occurs during arithmetic operations; otherwise it is cleared. The Carry flag is also set to the value of the bit tested in a bit test instruction; it also participates in the rotate left instruction.

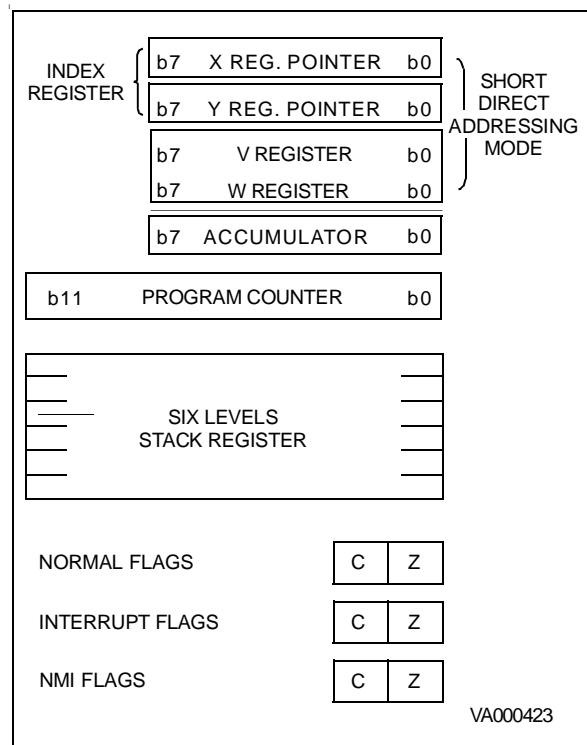
The Zero flag is set if the result of the last arithmetic or logical operation was equal to zero; otherwise it is cleared.

Switching between the three sets of flags is performed automatically when an NMI, an interrupt or a RETI instructions occurs. As the NMI mode is

automatically selected after the reset of the MCU, the ST6 core uses at first the NMI flags.

Stack. The ST6 CPU includes a true LIFO hardware stack which eliminates the need for a stack pointer. The stack consists of six separate 12-bit RAM locations that do not belong to the data space RAM area. When a subroutine call (or interrupt request) occurs, the contents of each level are shifted into the next higher level, while the content of the PC is shifted into the first level (the original contents of the sixth stack level are lost). When a subroutine or interrupt return occurs (RET or RETI instructions), the first level register is shifted back into the PC and the value of each level is popped back into the previous level. Since the accumulator, in common with all other data space registers, is not stored in this stack, management of these registers should be performed within the subroutine. The stack will remain in its "deepest" position if more than 6 nested calls or interrupts are executed, and consequently the last return address will be lost. It will also remain in its highest position if the stack is empty and a RET or RETI is executed. In this case the next instruction will be executed.

Figure 7 ST6 CPU Programming Mode



3 CLOCKS, RESET, INTERRUPTS AND POWER SAVING MODES

3.1 CLOCK SYSTEM

The MCU features a Main Oscillator which can be driven by an external clock, or used in conjunction with an AT-cut parallel resonant crystal or a suitable ceramic resonator. In addition, a Low Frequency Auxiliary Oscillator (LFAO) can be switched in for security reasons, to reduce power consumption, or to offer the benefits of a back-up clock system.

The Oscillator Safeguard (OSG) option filters spikes from the oscillator lines, provides access to the LFAO to provide a backup oscillator in the event of main oscillator failure and also automatically limits the internal clock frequency (f_{INT}) as a function of V_{DD} , in order to guarantee correct operation. These functions are illustrated in [Figure 9.](#), [Figure 10.](#), [Figure 11.](#) and [Figure 12.](#)

[Figure 8.](#) illustrates various possible oscillator configurations using an external crystal or ceramic resonator, an external clock input or the lowest cost solution using only the LFAO. C_{L1} and C_{L2} should have a capacitance in the range 12 to 22 pF for an oscillator frequency in the 4-8 MHz range.

The internal MCU clock frequency (f_{INT}) is divided by 12 to drive the Timer and the Watchdog timer, and by 13 to drive the CPU core, while the A/D converter is driven by f_{INT} divided either by 6 or by 12 as may be seen in [Figure 11.](#)

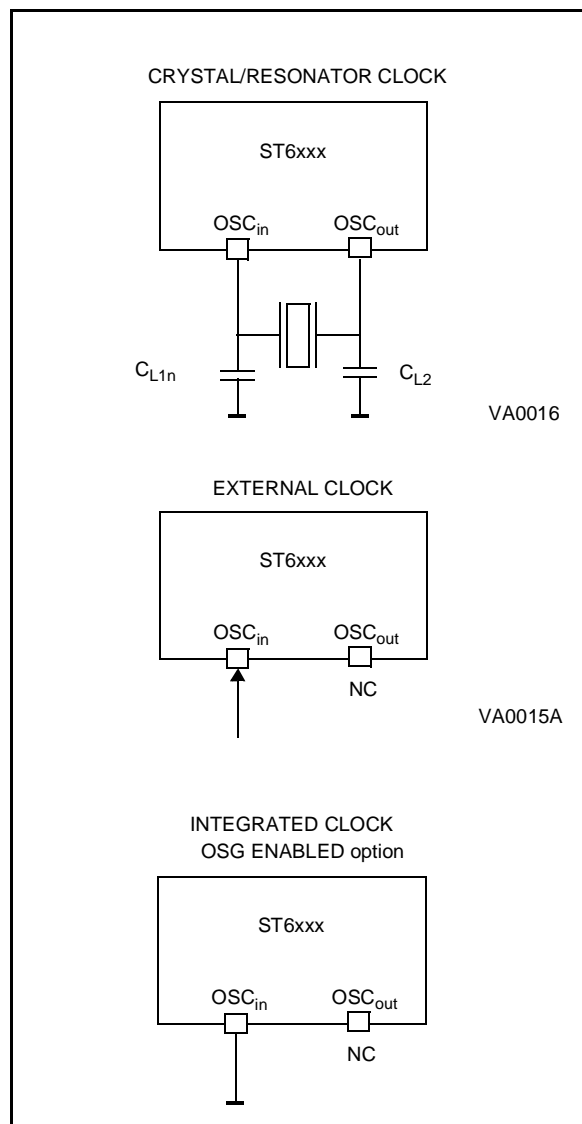
With an 8MHz oscillator frequency, the fastest machine cycle is therefore 1.625 μ s.

A machine cycle is the smallest unit of time needed to execute any operation (for instance, to increment the Program Counter). An instruction may require two, four, or five machine cycles for execution.

3.1.1 Main Oscillator

The main oscillator can be turned off (when the OSG ENABLED option is selected) by setting the OSCOFF bit of the OSCR Control Register. The Low Frequency Auxiliary Oscillator is automatically started.

Figure 8. Oscillator Configurations



CLOCK SYSTEM (Cont'd)

Turning on the main oscillator is achieved by re-setting the OSCOFF bit of the OSCR Register or by resetting the MCU. Restarting the main oscillator implies a delay comprising the oscillator start up delay period plus the duration of the software instruction at f_{LFAO} clock frequency.

3.1.2 Low Frequency Auxiliary Oscillator (LFAO)

The Low Frequency Auxiliary Oscillator has three main purposes. Firstly, it can be used to reduce power consumption in non timing critical routines. Secondly, it offers a fully integrated system clock, without any external components. Lastly, it acts as a safety oscillator in case of main oscillator failure.

This oscillator is available when the OSG ENABLED option is selected. In this case, it automatically starts one of its periods after the first missing edge from the main oscillator, whatever the reason (main oscillator defective, no clock circuitry provided, main oscillator switched off...).

User code, normal interrupts, WAIT and STOP instructions, are processed as normal, at the reduced f_{LFAO} frequency. The A/D converter accuracy is decreased, since the internal frequency is below 1MHz.

At power on, the Low Frequency Auxiliary Oscillator starts faster than the Main Oscillator. It therefore feeds the on-chip counter generating the POR delay until the Main Oscillator runs.

The Low Frequency Auxiliary Oscillator is automatically switched off as soon as the main oscillator starts.

OSCR

Address: 0DBh — Read/Write

7								0
-	-	-	-	-	-	-	-	OSC OFF

Bit 7-1= These bits are not used and must be kept cleared after reset.

Bit 0 = **OSCOFF**. *Main oscillator turn-off*. When low, this bit enables main oscillator to run. The main oscillator is switched off when OSCOFF is high.

3.1.3 Oscillator Safe Guard

The Oscillator Safe Guard (OSG) affords drastically increased operational integrity in ST62xx devices. The OSG circuit provides three basic functions: it filters spikes from the oscillator lines which would result in over frequency to the ST62 CPU; it gives access to the Low Frequency Auxiliary Oscillator (LFAO), used to ensure minimum processing in case of main oscillator failure, to offer reduced power consumption or to provide a fixed frequency low cost oscillator; finally, it automatically limits the internal clock frequency as a function of supply voltage, in order to ensure correct operation even if the power supply should drop.

The OSG is enabled or disabled by choosing the relevant OSG option. It may be viewed as a filter whose cross-over frequency is device dependent.

Spikes on the oscillator lines result in an effectively increased internal clock frequency. In the absence of an OSG circuit, this may lead to an over frequency for a given power supply voltage. The OSG filters out such spikes (as illustrated in [Figure 9](#)). In all cases, when the OSG is active, the maximum internal clock frequency, f_{INT} , is limited to f_{OSG} , which is supply voltage dependent. This relationship is illustrated in [Figure 12](#).

When the OSG is enabled, the Low Frequency Auxiliary Oscillator may be accessed. This oscillator starts operating after the first missing edge of the main oscillator (see [Figure 10](#)).

Over-frequency, at a given power supply level, is seen by the OSG as spikes; it therefore filters out some cycles in order that the internal clock frequency of the device is kept within the range the particular device can stand (depending on V_{DD}), and below f_{OSG} : the maximum authorised frequency with OSG enabled.

Note. The OSG should be used wherever possible as it provides maximum safety. Care must be taken, however, as it can increase power consumption and reduce the maximum operating frequency to f_{OSG} .

CLOCK SYSTEM (Cont'd)

Figure 9. OSG Filtering Principle

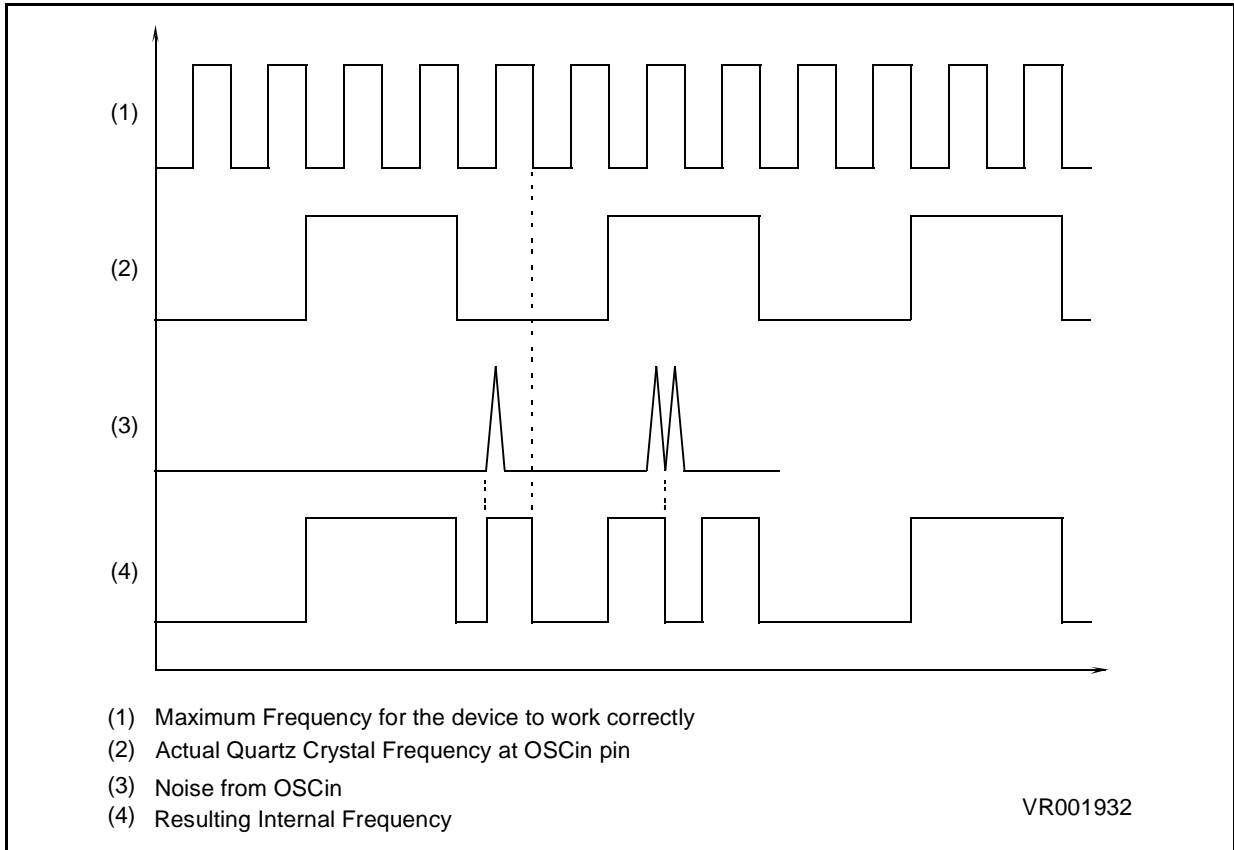
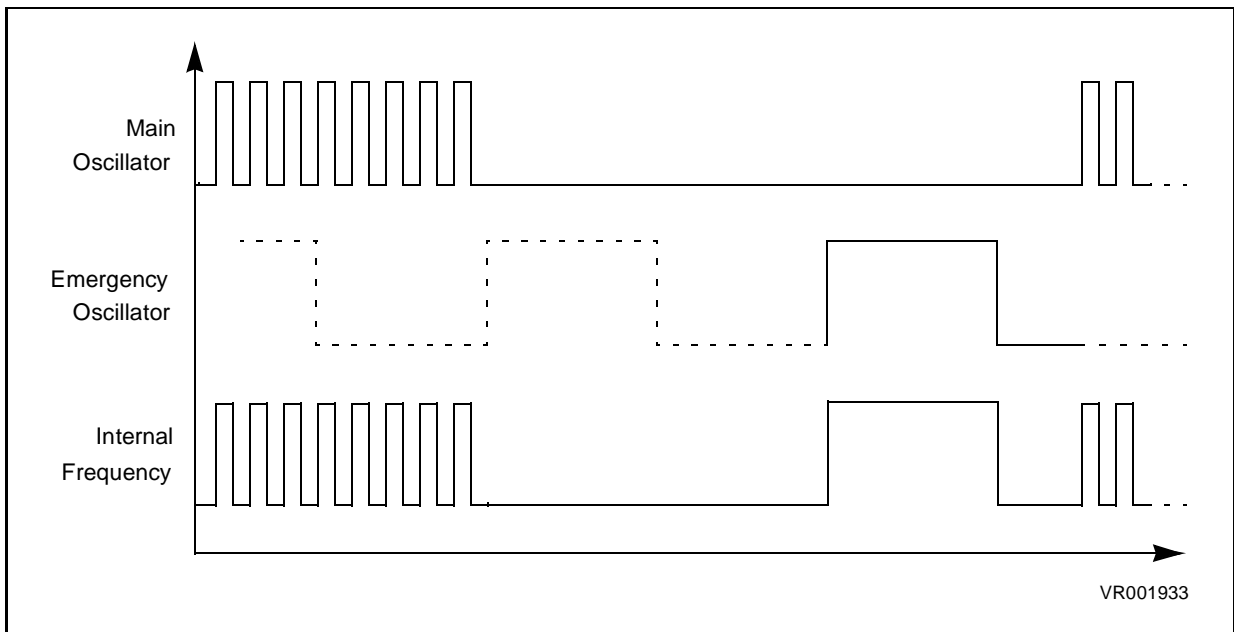


Figure 10. OSG Emergency Oscillator Principle



CLOCK SYSTEM (Cont'd)

Figure 11. Clock Circuit Block Diagram

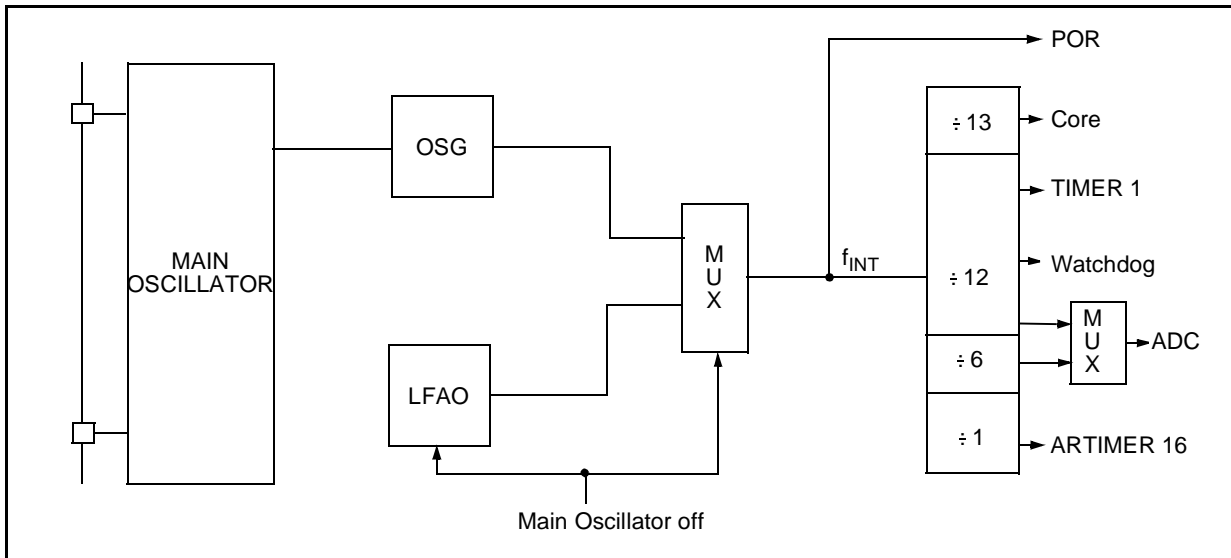
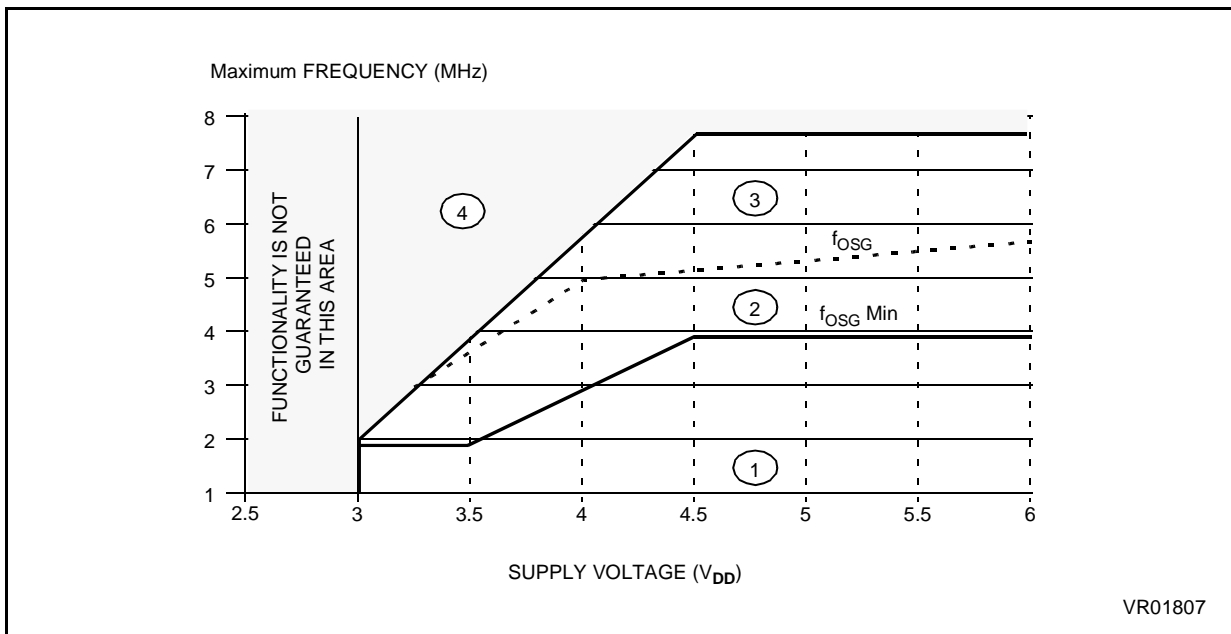


Figure 12. Maximum Operating Frequency (f_{MAX}) versus Supply Voltage (V_{DD})



Notes:

1. In this area, operation is guaranteed at the quartz crystal frequency.
2. When the OSG is disabled, operation in this area is guaranteed at the crystal frequency. When the OSG is enabled, operation in this area is guaranteed at a frequency of at least $f_{OSG Min}$.
3. When the OSG is disabled, operation in this

area is guaranteed at the quartz crystal frequency. When the OSG is enabled, access to this area is prevented. The internal frequency is kept a f_{OSG} .

4. When the OSG is disabled, operation in this area is not guaranteed. When the OSG is enabled, access to this area is prevented. The internal frequency is kept at f_{OSG} .

3.2 RESETS

The MCU can be reset in three ways:

- by the external Reset input being pulled low;
- by Power-on Reset;
- by the digital Watchdog peripheral timing out.

3.2.1 RESET Input

The **RESET** pin may be connected to a device of the application board in order to reset the MCU if required. The **RESET** pin may be pulled low in RUN, WAIT or STOP mode. This input can be used to reset the MCU internal state and ensure a correct start-up procedure. The pin is active low and features a Schmitt trigger input. The internal Reset signal is generated by adding a delay to the external signal. Therefore even short pulses on the **RESET** pin are acceptable, provided V_{DD} has completed its rising phase and that the oscillator is running correctly (normal RUN or WAIT modes). The MCU is kept in the Reset state as long as the **RESET** pin is held low.

If **RESET** activation occurs in the RUN or WAIT modes, processing of the user program is stopped (RUN mode only), the Inputs and Outputs are configured as inputs with pull-up resistors and the main Oscillator is restarted. When the level on the **RESET** pin then goes high, the initialization sequence is executed following expiry of the internal delay period.

If **RESET** pin activation occurs in the STOP mode, the oscillator starts up and all Inputs and Outputs are configured as inputs with pull-up resistors. When the level of the **RESET** pin then goes high, the initialization sequence is executed following expiry of the internal delay period.

3.2.2 Power-on Reset

The function of the POR circuit consists in waking up the MCU at an appropriate stage during the power-on sequence. At the beginning of this sequence, the MCU is configured in the Reset state: all I/O ports are configured as inputs with pull-up resistors and no instruction is executed. When the power supply voltage rises to a sufficient level, the oscillator starts to operate, whereupon an internal delay is initiated, in order to allow the oscillator to fully stabilize before executing the first instruction. The initialization sequence is executed immediately following the internal delay.

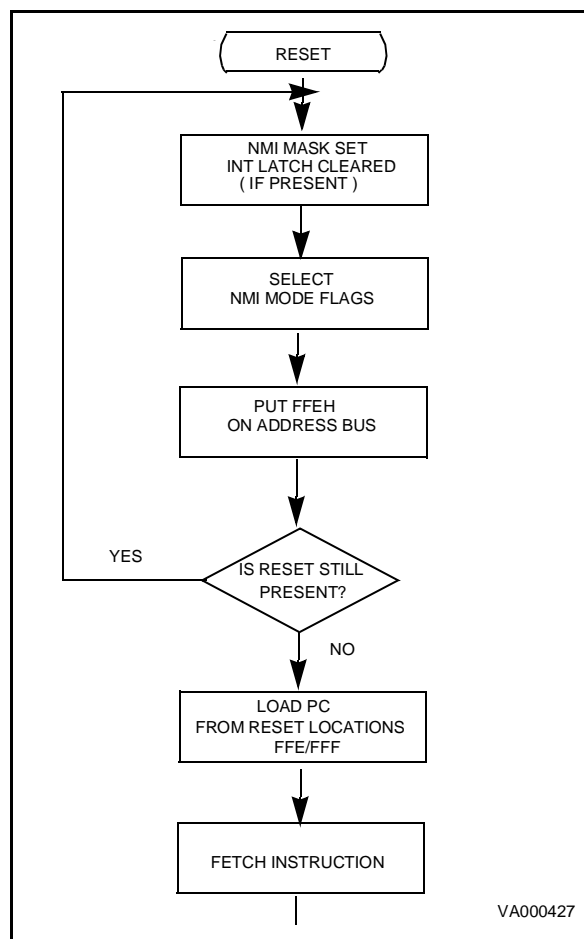
The internal delay is generated by an on-chip counter. The internal reset line is released 2048 internal clock cycles after release of the external reset.

Notes:

To ensure correct start-up, the user should take care that the reset signal is not released before the V_{DD} level is sufficient to allow MCU operation at the chosen frequency (see Recommended Operating Conditions).

A proper reset signal for a slow rising V_{DD} supply can generally be provided by an external RC network connected to the **RESET** pin.

Figure 13. Reset and Interrupt Processing



RESETS (Cont'd)

3.2.3 Watchdog Reset

The MCU provides a Watchdog timer function in order to ensure graceful recovery from software upsets. If the Watchdog register is not refreshed before an end-of-count condition is reached, the internal reset will be activated. This, amongst other things, resets the watchdog counter.

The MCU restarts just as though the Reset had been generated by the RESET pin, including the built-in stabilisation delay period.

3.2.4 Application Notes

No external resistor is required between V_{DD} and the Reset pin, thanks to the built-in pull-up device.

The POR circuit operates dynamically, in that it triggers MCU initialization on detecting the rising edge of V_{DD} . The typical threshold is in the region of 2 volts, but the actual value of the detected threshold depends on the way in which V_{DD} rises.

The POR circuit is *NOT* designed to supervise static, or slowly rising or falling V_{DD} .

3.2.5 MCU Initialization Sequence

When a reset occurs the stack is reset, the PC is loaded with the address of the Reset Vector (located in program ROM starting at address 0FFEh). A jump to the beginning of the user program must be coded at this address. Following a

Reset, the Interrupt flag is automatically set, so that the CPU is in Non Maskable Interrupt mode; this prevents the initialisation routine from being interrupted. The initialisation routine should therefore be terminated by a RETI instruction, in order to revert to normal mode and enable interrupts. If no pending interrupt is present at the end of the initialisation routine, the MCU will continue by processing the instruction immediately following the RETI instruction. If, however, a pending interrupt is present, it will be serviced.

Figure 14. Reset and Interrupt Processing

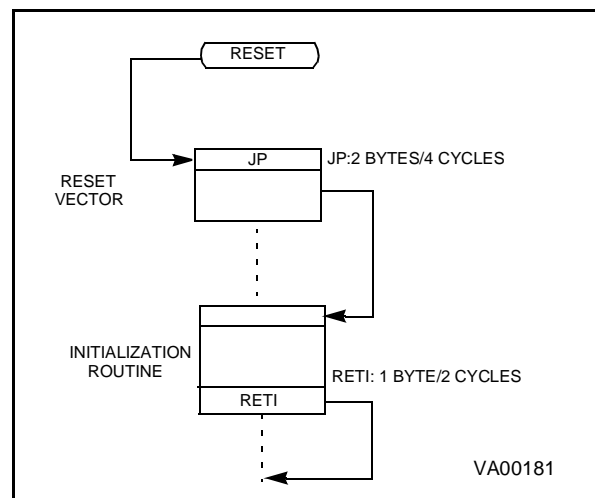
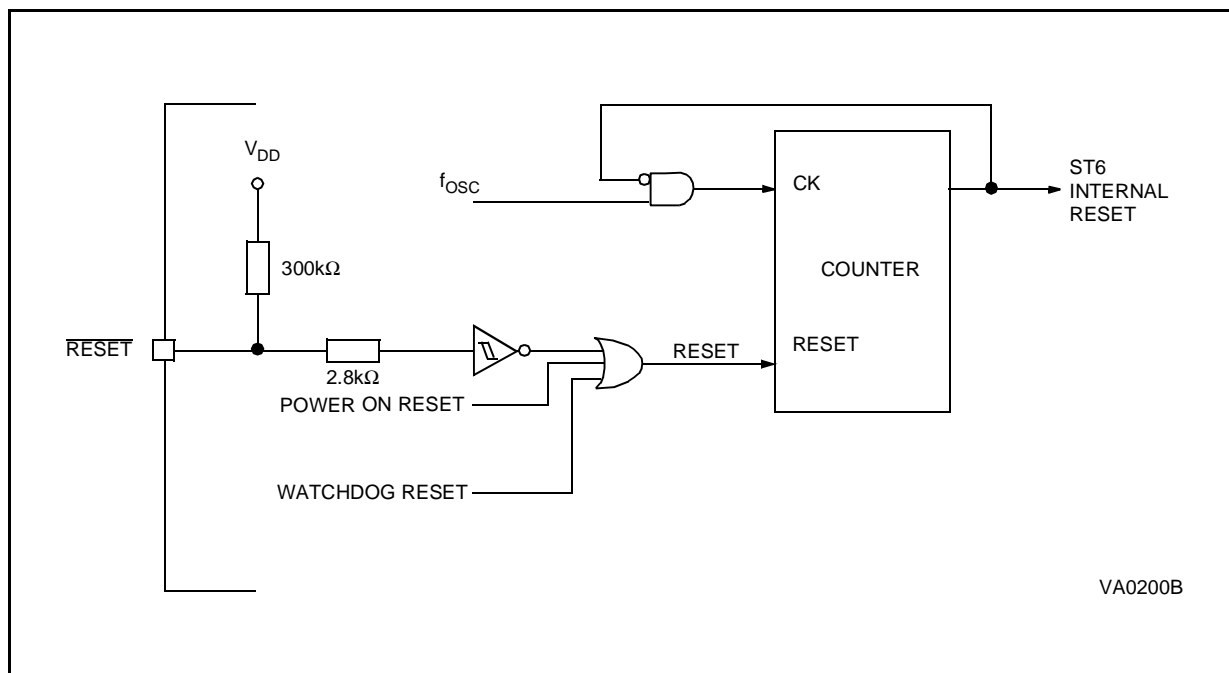


Figure 15. Reset Block Diagram



RESETS (Cont'd)

Table 7. Register Reset Status

Register	Address(es)	Status	Comment
Oscillator Control Register	0DBh	00h	Main oscillator on EEPROM enabled
EEPROM Control Register	0DFh		
Port Data Registers	0C0h to 0C2h		
Port Direction Register	0C4h to 0C6h		
Port Option Register	0CCCh to 0CEh		
Interrupt Option Register	0C8h		
TIMER Status/Control	0D4h		
AR TIMER Status/Control 1 Register	0E8h		
AR TIMER Status/Control 2 Register	0E1h		
AR TIMER Status/Control 3 Register	0E2h		
AR TIMER Status/Control 4 Register	0E3h	AR TIMER stopped	
SPI Registers	0DCh to 0DDh		SPI disabled
X, Y, V, W, Register	080H TO 083H	Undefined	As written if programmed
Accumulator	0FFh		
Data RAM	084h to 0BFh		
Data RAM Page Register	0CBh		
Data ROM Window Register	0C9h		
EEPROM	00h to 03Fh		
A/D Result Register	0D0h		
AR TIMER Capture Register	0DBh		
AR TIMER Reload/Capture Register	0D9h		
ARTIMER Mask Registers	0E0h-0EFh		
ARTIMER Compare Registers	0EDh-0EEh		
TIMER Counter Register	0D3h	FFh	Max count loaded
TIMER Prescaler Register	0D2h	7Fh	
Watchdog Counter Register	0D8h	FEh	
A/D Control Register	0D1h	40h	
UART Control	0D7h		UART disabled
UART Data Register	0D6h		

3.3 INTERRUPTS

The CPU can manage four Maskable Interrupt sources, in addition to a Non Maskable Interrupt source (top priority interrupt). Each source is associated with a specific Interrupt Vector which contains a Jump instruction to the associated interrupt service routine. These vectors are located in Program space (see [Table 8](#)).

When an interrupt source generates an interrupt request, and interrupt processing is enabled, the PC register is loaded with the address of the interrupt vector (i.e. of the Jump instruction), which then causes a Jump to the relevant interrupt service routine, thus servicing the interrupt.

Interrupt sources are linked to events either on external pins, or on chip peripherals. Several events can be ORed on the same interrupt source, and relevant flags are available to determine which event triggered the interrupt.

The Non Maskable Interrupt request has the highest priority and can interrupt any interrupt routine at any time; the other four interrupts cannot interrupt each other. If more than one interrupt request is pending, these are processed by the processor core according to their priority level: source #1 has the higher priority while source #4 the lower. The priority of each interrupt source is fixed.

Table 8. Interrupt Vector Map

Interrupt Source	Priority	Vector Address
Interrupt source #0	1	(FFCh-FFDh)
Interrupt source #1	2	(FF6h-FF7h)
Interrupt source #2	3	(FF4h-FF5h)
Interrupt source #3	4	(FF2h-FF3h)
Interrupt source #4	5	(FF0h-FF1h)

3.3.1 Interrupt request

All interrupt sources but the Non Maskable Interrupt source can be disabled by setting accordingly the GEN bit of the Interrupt Option Register (IOR). This GEN bit also defines if an interrupt source, including the Non Maskable Interrupt source, can restart the MCU from STOP/WAIT modes.

Interrupt request from the Non Maskable Interrupt source #0 is latched by a flip flop which is auto-

matically reset by the core at the beginning of the non-maskable interrupt service routine.

Interrupt request from source #1 can be configured either as edge or level sensitive by setting accordingly the LES bit of the Interrupt Option Register (IOR).

Interrupt request from source #2 are always edge sensitive. The edge polarity can be configured by setting accordingly the ESB bit of the Interrupt Option Register (IOR).

Interrupt request from sources #3 & #4 are level sensitive.

In edge sensitive mode, a latch is set when an edge occurs on the interrupt source line and is cleared when the associated interrupt routine is started. So, the occurrence of an interrupt can be stored, until completion of the running interrupt routine before being processed. If several interrupt requests occurs before completion of the running interrupt routine, only the first request is stored.

Storage of interrupt requests is not available in level sensitive mode. To be taken into account, the low level must be present on the interrupt pin when the MCU samples the line after instruction execution.

At the end of every instruction, the MCU tests the interrupt lines: if there is an interrupt request the next instruction is not executed and the appropriate interrupt service routine is executed instead.

Table 9. Interrupt Option Register Description

GEN	SET	Enable all interrupts
	CLEARED	Disable all interrupts
ESB	SET	Rising edge mode on interrupt source #2
	CLEARED	Falling edge mode on interrupt source #2
LES	SET	Level-sensitive mode on interrupt source #1
	CLEARED	Falling edge mode on interrupt source #1
OTHERS	NOT USED	

INTERRUPTS (Cont'd)

3.3.2 Interrupt Procedure

The interrupt procedure is very similar to a call procedure, indeed the user can consider the interrupt as an asynchronous call procedure. As this is an asynchronous event, the user cannot know the context and the time at which it occurred. As a result, the user should save all Data space registers which may be used within the interrupt routines. There are separate sets of processor flags for normal, interrupt and non-maskable interrupt modes, which are automatically switched and so do not need to be saved.

The following list summarizes the interrupt procedure:

MCU

- The interrupt is detected.
- The C and Z flags are replaced by the interrupt flags (or by the NMI flags).
- The PC contents are stored in the first level of the stack.
- The normal interrupt lines are inhibited (NMI still active).
- The first internal latch is cleared.
- The associated interrupt vector is loaded in the PC.

WARNING: In some circumstances, when a maskable interrupt occurs while the ST6 core is in NORMAL mode and especially during the execution of an "Idi IOR, 00h" instruction (disabling all maskable interrupts): if the interrupt arrives during the first 3 cycles of the "Idi" instruction (which is a 4-cycle instruction) the core will switch to interrupt mode BUT the flags CN and ZN will NOT switch to the interrupt pair CI and ZI.

User

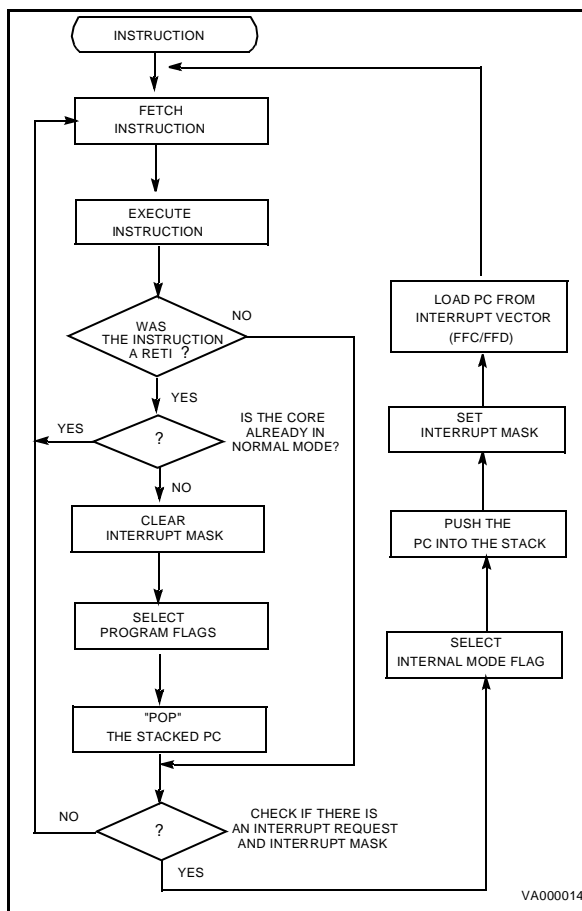
- User selected registers are saved within the interrupt service routine (normally on a software stack).
- The source of the interrupt is found by polling the interrupt flags (if more than one source is associated with the same vector).
- The interrupt is serviced.
- Return from interrupt (RETI)

MCU

- Automatically the MCU switches back to the normal flag set (or the interrupt flag set) and pops the previous PC value from the stack.

The interrupt routine usually begins by the identifying the device which generated the interrupt request (by polling). The user should save the registers which are used within the interrupt routine in a software stack. After the RETI instruction is executed, the MCU returns to the main routine.

Figure 16. Interrupt Processing Flow Chart



INTERRUPTS (Cont'd)

3.3.3 Interrupt Option Register (IOR)

The Interrupt Option Register (IOR) is used to enable/disable the individual interrupt sources and to select the operating mode of the external interrupt inputs. This register is write-only and cannot be accessed by single-bit operations.

Address: 0C8h — Write Only

Reset status: 00h

7	0
-	-
-	-
-	-
-	-
-	-
-	-
-	-

Bit 7, Bits 3-0 = *Unused*.

Bit 6 = **LES**: *Level/Edge Selection bit*.

When this bit is set to one, the interrupt source #1 is level sensitive. When cleared to zero the edge sensitive mode for interrupt request is selected.

Bit 5 = **ESB**: *Edge Selection bit*.

The bit ESB selects the polarity of the interrupt source #2.

Bit 4 = **GEN**: *Global Enable Interrupt*. When this bit is set to one, all interrupts are enabled. When this bit is cleared to zero all the interrupts (excluding NMI) are disabled.

When the GEN bit is low, the NMI interrupt is active but cannot cause a wake up from STOP/WAIT modes.

This register is cleared on reset.

3.3.4 Interrupt sources

Interrupt sources available on the ST62E35B/T35B are summarized in the [Table 10](#) with associated mask bit to enable/disable the interrupt request.

Table 10. Interrupt Requests and Mask Bits

Peripheral	Register	Address Register	Mask bit	Masked Interrupt Source	Interrupt source
GENERAL	IOR	C8h	GEN	All Interrupts, excluding NMI	All
TIMER	TSCR1	D4h	ETI	TMZ: TIMER Overflow	source 4
A/D CONVERTER	ADCR	D1h	EAI	EOC: End of Conversion	source 4
UART	UARTCR	D7h	RXIEN TXIEN	RXRDY : Byte received TXMT : Byte sent	source 4
ARTIMER	SCR1	E8h	OVFIEN	OVFFLG: ARTIMER Overflow	source 3
	SCR2	E1h	CP1IEN	CP1FLG	
	SCR3	E2h	CP2IEN	CP2FLG	
	SCR3	E2h	ZEROIEN	ZEROFLG: Compare to zero flag	
	SCR3	E2h	CMPIEN	CMPFLG: Compare flag	
SPI	SPI	DCh	ALL	End of Transmission	source 1
Port PAn	ORPA-DRPA	C0h-C4h	ORPAn-DRPAn	PAn pin	source 1
Port PBn	ORPB-DRPB	C1h-C5h	ORPBn-DRPBn	PBn pin	source 2
Port PCn	ORPC-DRPC	C2h-C6h	ORPCn-DRPCn	PCn pin	source 0
Port PDn	ORPD-DRPD	C3h-C7h	ORPDn-DRPDn	PDn pin	source 2
Port PEn	ORPE-DRPE	FCh-FDh	ORPEn-DRPEn	PEn pin	source 1

INTERRUPTS (Cont'd)

Interrupt Polarity Register (IPR)

Address: DAh — Read/Write

7							0
-	-	-	PortE	PortD	PortC	PortA	PortB

In conjunction with IOR register ESB bit, the polarity of I/O pins triggered interrupts can be selected by setting accordingly the Interrupt Polarity Register (IPR). If a bit in IPR is set to one the corresponding port interrupt is inverted (e.g. IPR bit 2 = 1 ; port C generates interrupt on rising edge. At re-

set, IPR is cleared and all port interrupts are not inverted (e.g. Port C generates interrupts on falling edges).

Bit 7 - Bits 5 = *Unused.*

Bit 4 = *Port E Interrupt Polarity.*

Bit 3 = *Port D Interrupt Polarity.*

Bit 2 = *Port C Interrupt Polarity.*

Bit 1 = *Port A Interrupt Polarity.*

Bit 0 = *Port B Interrupt Polarity.*

Tables 11. I/O Interrupts selections according to IPR, IOR programming

GEN	IPR3	IPR0	IOR5	Port B occurrence	Port D occurrence	Interrupt source
1	0	0	0	falling edge	falling edge	2
1	0	0	1	rising edge	rising edge	
1	0	1	0	rising edge	falling edge	
1	0	1	1	falling edge	rising edge	
1	1	0	0	falling edge	rising edge	
1	1	0	1	rising edge	falling edge	
1	1	1	0	rising edge	rising edge	
1	1	1	1	falling edge	falling edge	
0	X	X	X	Disabled	Disabled	

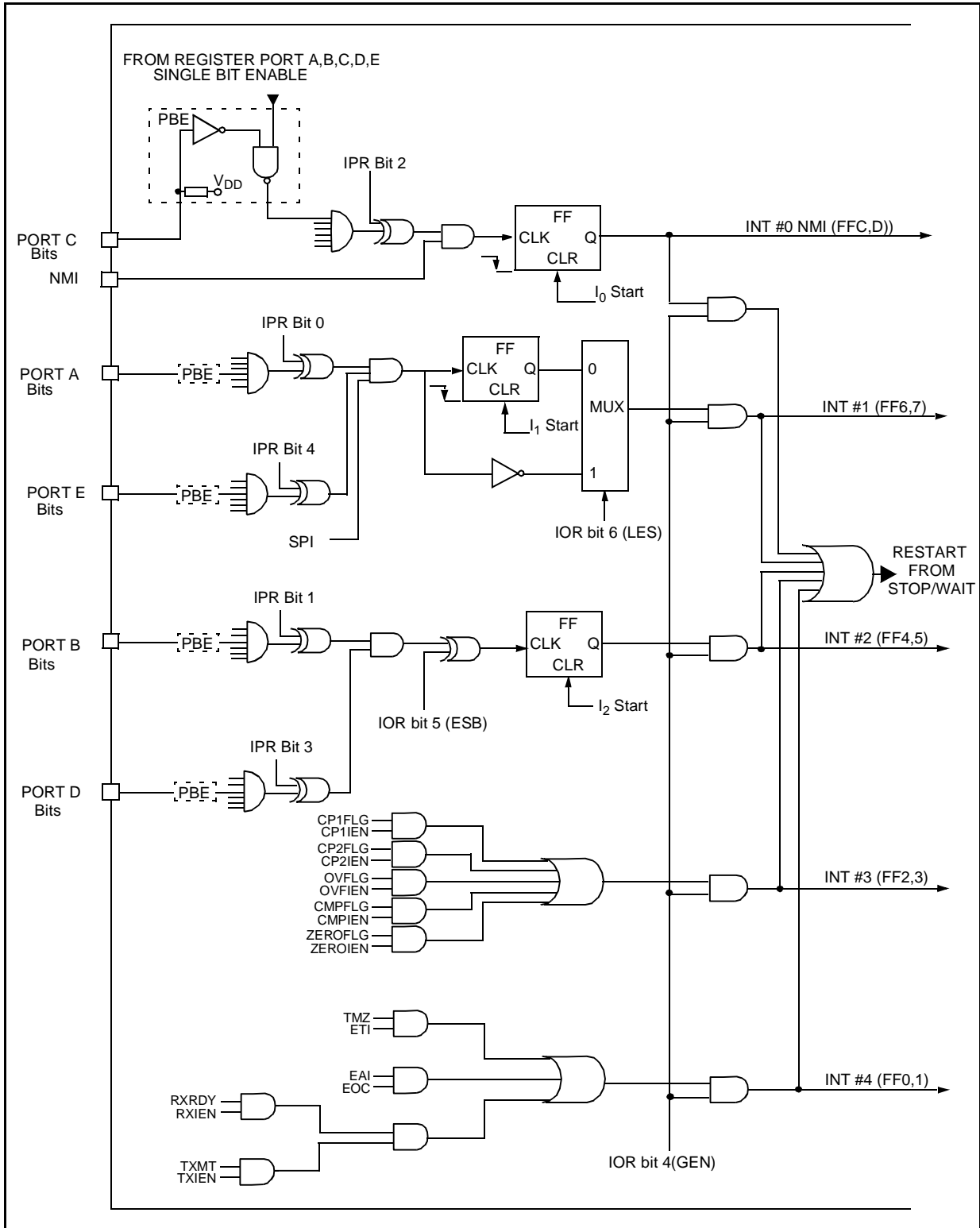
GEN	IPR4	IPR1	IOR6	Port A occurrence	Port E occurrence	Interrupt source
1	0	0	0	falling edge	falling edge	1
1	0	0	1	low level	low level	
1	0	1	0	rising edge	falling edge	
1	0	1	1	high level	low level	
1	1	0	0	falling edge	rising edge	
1	1	0	1	low level	high level	
1	1	1	0	rising edge	rising edge	
1	1	1	1	high level	high level	
0	X	X	X	Disabled	Disabled	

IPR2	Port C occurrence	Interrupt source
0	falling edge	0
1	rising edge	



INTERRUPTS (Cont'd)

Figure 17. Interrupt Block Diagram



3.4 POWER SAVING MODES

The WAIT and STOP modes have been implemented in the ST62xx family of MCUs in order to reduce the product's electrical consumption during idle periods. These two power saving modes are described in the following paragraphs.

3.4.1 WAIT Mode

The MCU goes into WAIT mode as soon as the WAIT instruction is executed. The microcontroller can be considered as being in a "software frozen" state where the core stops processing the program instructions, the RAM contents and peripheral registers are preserved as long as the power supply voltage is higher than the RAM retention voltage. In this mode the peripherals are still active.

WAIT mode can be used when the user wants to reduce the MCU power consumption during idle periods, while not losing track of time or the capability of monitoring external events. The active oscillator is not stopped in order to provide a clock signal to the peripherals. Timer counting may be enabled as well as the Timer interrupt, before entering the WAIT mode: this allows the WAIT mode to be exited when a Timer interrupt occurs. The same applies to other peripherals which use the clock signal.

If the WAIT mode is exited due to a Reset (either by activating the external pin or generated by the Watchdog), the MCU enters a normal reset procedure. If an interrupt is generated during WAIT mode, the MCU's behaviour depends on the state

of the processor core prior to the WAIT instruction, but also on the kind of interrupt request which is generated. This is described in the following paragraphs. The processor core does not generate a delay following the occurrence of the interrupt, because the oscillator clock is still available and no stabilisation period is necessary.

3.4.2 STOP Mode

If the Watchdog is disabled, STOP mode is available. When in STOP mode, the MCU is placed in the lowest power consumption mode. In this operating mode, the microcontroller can be considered as being "frozen", no instruction is executed, the oscillator is stopped, the RAM contents and peripheral registers are preserved as long as the power supply voltage is higher than the RAM retention voltage, and the ST62xx core waits for the occurrence of an external interrupt request or a Reset to exit the STOP state.

If the STOP state is exited due to a Reset (by activating the external pin) the MCU will enter a normal reset procedure. Behaviour in response to interrupts depends on the state of the processor core prior to issuing the STOP instruction, and also on the kind of interrupt request that is generated.

This case will be described in the following paragraphs. The processor core generates a delay after occurrence of the interrupt request, in order to wait for complete stabilisation of the oscillator, before executing the first instruction.

POWER SAVING MODE (Cont'd)**3.4.3 Exit from WAIT and STOP Modes**

The following paragraphs describe how the MCU exits from WAIT and STOP modes, when an interrupt occurs (not a Reset). It should be noted that the restart sequence depends on the original state of the MCU (normal, interrupt or non-maskable interrupt mode) prior to entering WAIT or STOP mode, as well as on the interrupt type.

Interrupts do not affect the oscillator selection.

3.4.3.1 Normal Mode

If the MCU was in the main routine when the WAIT or STOP instruction was executed, exit from Stop or Wait mode will occur as soon as an interrupt occurs; the related interrupt routine is executed and, on completion, the instruction which follows the STOP or WAIT instruction is then executed, providing no other interrupts are pending.

3.4.3.2 Non Maskable Interrupt Mode

If the STOP or WAIT instruction has been executed during execution of the non-maskable interrupt routine, the MCU exits from the Stop or Wait mode as soon as an interrupt occurs: the instruction which follows the STOP or WAIT instruction is executed, and the MCU remains in non-maskable interrupt mode, even if another interrupt has been generated.

3.4.3.3 Normal Interrupt Mode

If the MCU was in interrupt mode before the STOP or WAIT instruction was executed, it exits from STOP or WAIT mode as soon as an interrupt occurs. Nevertheless, two cases must be considered:

- If the interrupt is a normal one, the interrupt routine in which the WAIT or STOP mode was en-

tered will be completed, starting with the execution of the instruction which follows the STOP or the WAIT instruction, and the MCU is still in the interrupt mode. At the end of this routine pending interrupts will be serviced in accordance with their priority.

- In the event of a non-maskable interrupt, the non-maskable interrupt service routine is processed first, then the routine in which the WAIT or STOP mode was entered will be completed by executing the instruction following the STOP or WAIT instruction. The MCU remains in normal interrupt mode.

Notes:

To achieve the lowest power consumption during RUN or WAIT modes, the user program must take care of:

- configuring unused I/Os as inputs without pull-up (these should be externally tied to well defined logic levels);
- placing all peripherals in their power down modes before entering STOP mode;

When the hardware activated Watchdog is selected, or when the software Watchdog is enabled, the STOP instruction is disabled and a WAIT instruction will be executed in its place.

If all interrupt sources are disabled (GEN low), the MCU can only be restarted by a Reset. Although setting GEN low does not mask the NMI as an interrupt, it will stop it generating a wake-up signal.

The WAIT and STOP instructions are not executed if an enabled interrupt request is pending.

4 ON-CHIP PERIPHERALS

4.1 I/O PORTS

The MCU features Input/Output lines which may be individually programmed as any of the following input or output configurations:

- Input without pull-up or interrupt
- Input with pull-up and interrupt
- Input with pull-up, but without interrupt
- Analog input
- Push-pull output
- Open drain output

The lines are organised as bitwise Ports.

Each port is associated with 3 registers in Data space. Each bit of these registers is associated with a particular line (for instance, bits 0 of Port A Data, Direction and Option registers are associated with the PA0 line of Port A).

The DATA registers (DRx), are used to read the voltage level values of the lines which have been configured as inputs, or to write the logic value of the signal to be output on the lines configured as outputs. The port data registers can be read to get the effective logic levels of the pins, but they can

be also written by user software, in conjunction with the related option registers, to select the different input mode options.

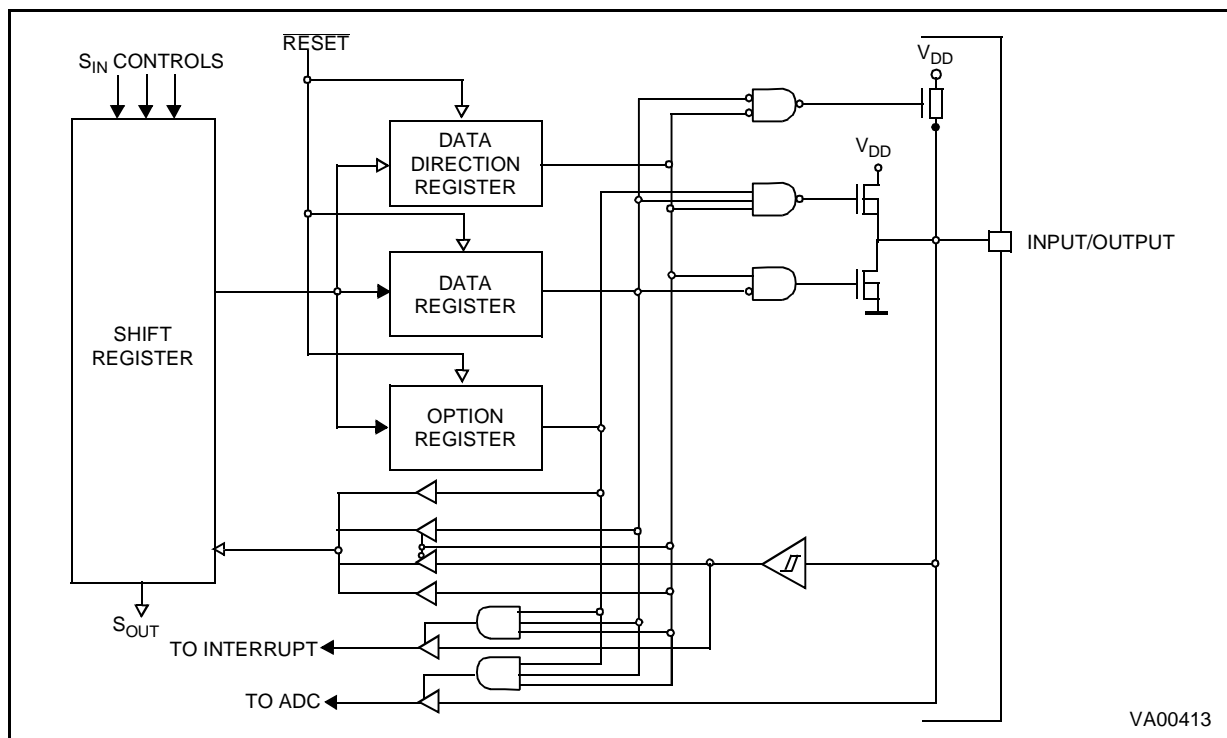
Single-bit operations on I/O registers are possible but care is necessary because reading in input mode is done from I/O pins while writing will directly affect the Port data register causing an undesired change of the input configuration.

The Data Direction registers (DDRx) allow the data direction (input or output) of each pin to be set.

The Option registers (ORx) are used to select the different port options available both in input and in output mode.

All I/O registers can be read or written to just as any other RAM location in Data space, so no extra RAM cells are needed for port data storage and manipulation. During MCU initialization, all I/O registers are cleared and the input mode with pull-ups and no interrupt generation is selected for all the pins, thus avoiding pin conflicts.

Figure 18. I/O Port Block Diagram



VA00413

I/O PORTS (Cont'd)**4.1.1 Operating Modes**

Each pin may be individually programmed as input or output with various configurations.

This is achieved by writing the relevant bit in the Data (DR), Data Direction (DDR) and Option registers (OR). [Table 12](#) illustrates the various port configurations which can be selected by user software.

4.1.1.1 Input Options

Pull-up, High Impedance Option. All input lines can be individually programmed with or without an internal pull-up by programming the OR and DR registers accordingly. If the pull-up option is not selected, the input pin will be in the high-impedance state.

4.1.1.2 Interrupt Options

All input lines can be individually connected by software to the interrupt system by programming the OR and DR registers accordingly. The interrupt trigger modes (falling edge, rising edge and low level) can be configured by software as described in the Interrupt Chapter for each port.

4.1.1.3 Analog Input Options

Some pins can be configured as analog inputs by programming the OR and DR registers accordingly. These analog inputs are connected to the on-chip 8-bit Analog to Digital Converter. *ONLY ONE* pin should be programmed as an analog input at any time, since by selecting more than one input simultaneously their pins will be effectively shorted.

Table 12. I/O Port Option Selection

DDR	OR	DR	Mode	Option
0	0	0	Input	With pull-up, no interrupt
0	0	1	Input	No pull-up, no interrupt
0	1	0	Input	With pull-up and with interrupt
0	1	1	Input	Analog input (when available)
1	0	X	Output	Open-drain output (20mA sink when available)
1	1	X	Output	Push-pull output (20mA sink when available)

Note: X = Don't care

I/O PORTS (Cont'd)

4.1.2 Safe I/O State Switching Sequence

Switching the I/O ports from one state to another should be done in a sequence which ensures that no unwanted side effects can occur. The recommended safe transitions are illustrated in Figure 19.. All other transitions are potentially risky and should be avoided when changing the I/O operating mode, as it is most likely that undesirable side-effects will be experienced, such as spurious interrupt generation or two pins shorted together by the analog multiplexer.

Single bit instructions (SET, RES, INC and DEC) should be used with great caution on Ports Data registers, since these instructions make an implicit read and write back of the entire register. In port input mode, however, the data register reads from the input pins directly, and not from the data register latches. Since data register information in input mode is used to set the characteristics of the input pin (interrupt, pull-up, analog input), these may be unintentionally reprogrammed depending on the state of the input pins. As a general rule, it is better to limit the use of single bit instructions on data

registers to when the whole (8-bit) port is in output mode. In the case of inputs or of mixed inputs and outputs, it is advisable to keep a copy of the data register in RAM. Single bit instructions may then be used on the RAM copy, after which the whole copy register can be written to the port data register:

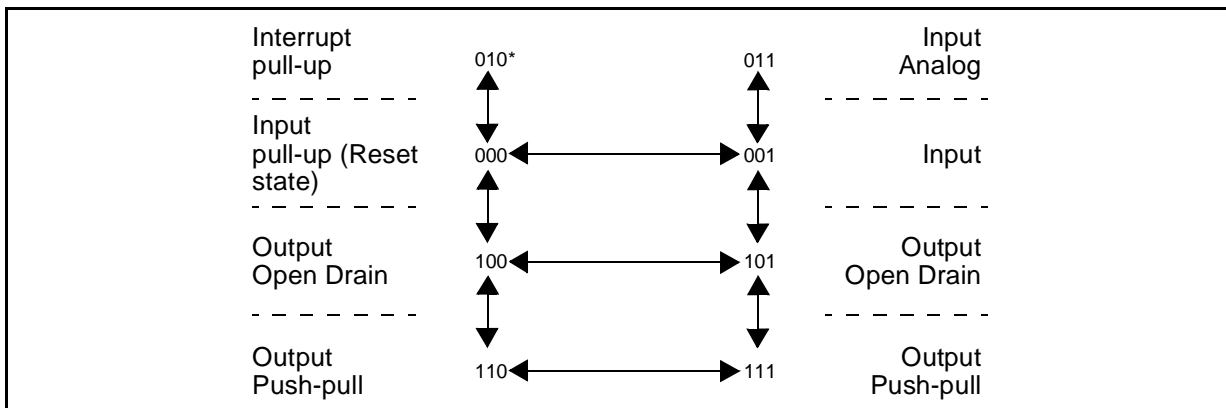
```
SET bit, datacopy
LD a, datacopy
LD DRA, a
```

Care must also be taken to not use INC or DEC instructions on a port register when the 8 bits are not available on the devices.

The WAIT and STOP instructions allow the ST62xx to be used in situations where low power consumption is needed. The lowest power consumption is achieved by configuring I/Os in input mode with well-defined logic levels.

The user must take care not to switch outputs with heavy loads during the conversion of one of the analog inputs in order to avoid any disturbance to the conversion.

Figure 19. Diagram showing Safe I/O State Transitions



Note *. xxx = DDR, OR, DR Bits respectively

I/O PORTS (Cont'd)

Table 13. I/O Port configuration for the ST62T35B

MODE	AVAILABLE ON ⁽¹⁾	SCHEMATIC
Input (Reset state if PORT PULL option disabled)	PA0-PA7 PB0-PB7 PC4-PC7 PD0-PD7 PE0-PE7	
Input with pull up (Reset state if PORT PULL option enabled)	PA0-PA7 PB0-PB7 PC4-PC7 PD0-PD7 PE0-PE7	
Input with pull up with interrupt	PA0-PA7 PB0-PB7 PC4-PC7 PD0-PD7 PE0-PE7	
Analog Input	PA4-PA7 PB0-PB7 PC4-PC7 PD0-PD7	
Open drain output 5mA Open drain output 20mA	PA4-PA7 PB0-PB7 PC4-PC7 PD0-PD7 PA0-PA3 PE0-PE7	
Push-pull output 5mA Push-pull output 20mA	PA4-PA7 PB0-PB7 PC4-PC7 PD0-PD7 PA0-PA3 PE0-PE7	

VR01992A

Note 1. Provided the correct configuration has been selected.

I/O PORTS (Cont'd)**4.1.3 ARTimer alternate functions**

As long as PWMEN (resp. OVFEN) bit is kept low, the PA3/PWM (resp. PA2/OVF) pin is used as standard I/O pin and therefore can be configured in any mode through the DDR and OR registers.

If PWMEN (resp. OVFEN) bit is set, PA3/PWM (resp. PA2/OVF) pin must be configured as output through the DDR and OR registers to be used as PWM (OVF) output of the ARTimer16. All output modes are available.

PA4/CP1 or PA5/CP2 pins must be configured as input through DDR register to allow CP1 or CP2 triggered input capture of the ARTimer16. All input modes are available and I/O's can be read independently of the ARTimer at any time. As long as RLDSEL2, RLDSEL1 bits do not enable CP1 or CP2 triggered capture, PA4/CP1 and PA5/CP2 are standard I/O's configurable through DDR and OR registers.

4.1.4 SPI alternate functions

PD2/Sin and PD1/Scl pins must be configured as input through the DDR and OR registers to be

used as data in and data clock (Slave mode) for the SPI. All input modes are available and I/O's can be read independantly of the SPI at any time.

PD3/Sout must be configured in open drain output mode to be used as data out for the SPI. In output mode, the value present on the pin is the port data register content only if PD3 is defined as push pull output, while serial transmission is possible only in open drain mode.

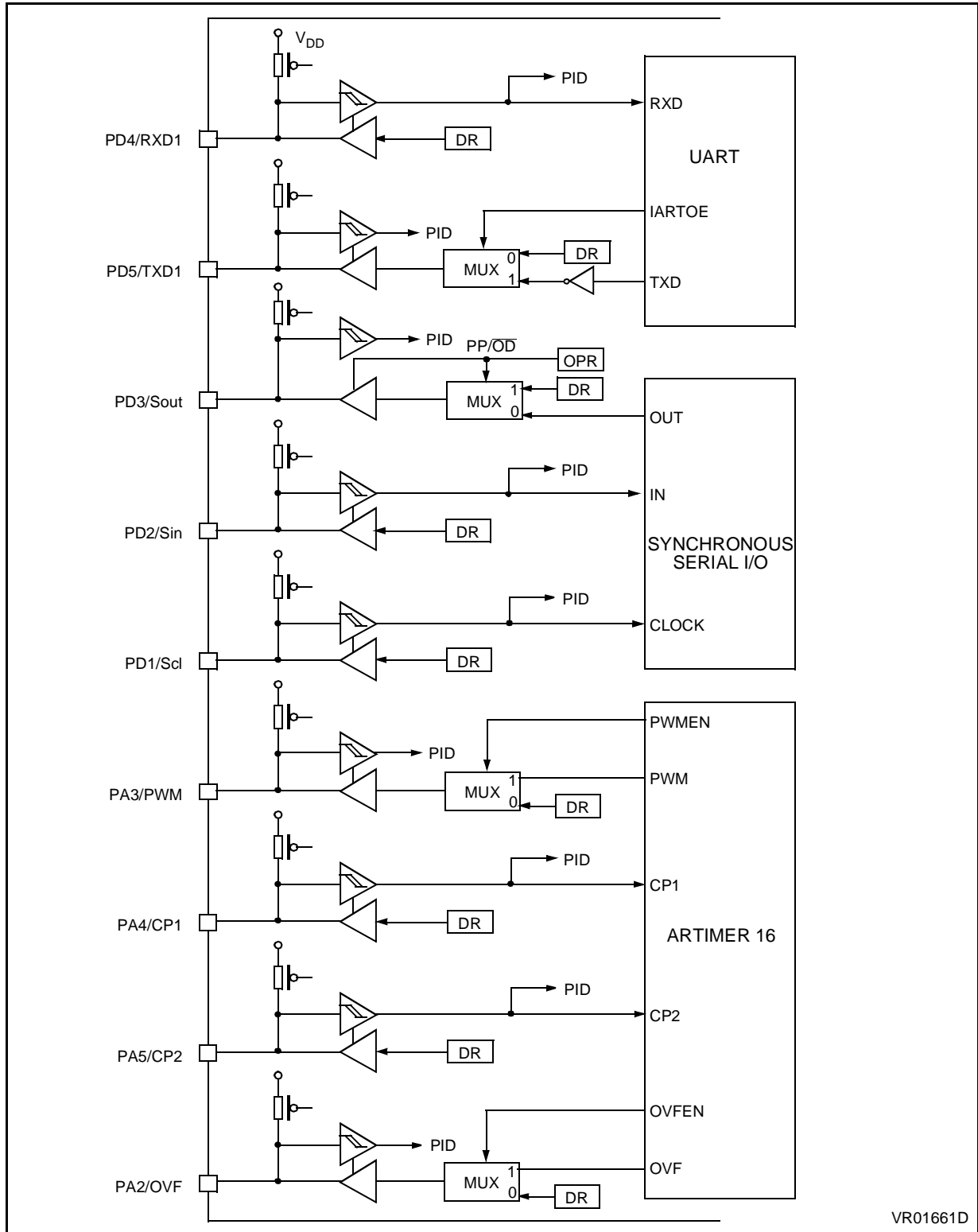
4.1.5 UART alternate functions

PD4/RXD1 pin must be configured as input through the DDR and OR registers to be used as reception line for the UART. All input modes are available and PD4 can be read independantly of the UART at any time.

PD5/TXD1 pin must be configured as output through the DDR and OR registers to be used as transmission line for the UART. Value present on the pin in output mode is the Data register content as long as no transmission is active.

I/O PORTS (Cont'd)

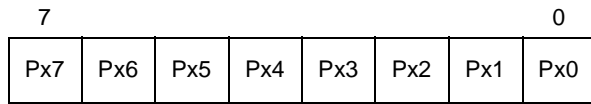
Figure 20. Peripheral Interface Configuration of SPI, UART and AR Timer16



I/O PORTS (Cont'd)

4.1.6 I/O Port Option Registers

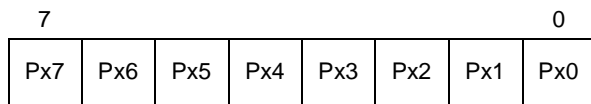
ORA/B/C/D/E (CCh PA, CDh PB, CEh PC, CFh PD, FEh PE)
Read/Write



Bit 7-0 = **Px7 - Px0**: Port A, B, C, D and E Option Register bits.

4.1.7 I/O Port Data Direction Registers

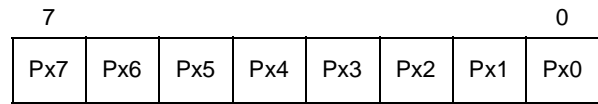
DDRA/B/C/D/E (C4h PA, C5h PB, C6h PC, C7h PD, FDh PE)
Read/Write



Bit 7-0 = **Px7 - Px0**: Port A, B, C, D and E Data Direction Registers bits.

4.1.8 I/O Port Data Registers

DRA/B/C/D/E (C0h PA, C1h PB, C2h PC, C3h PD, FCh PE)
Read/Write



Bit 7-0 = **Px7 - Px0**: Port A, B, C, D and E Data Registers bits.

4.2 TIMER

The MCU features an on-chip Timer peripheral, consisting of an 8-bit counter with a 7-bit programmable prescaler, giving a maximum count of 2^{15} . The peripheral may be configured in three different operating modes.

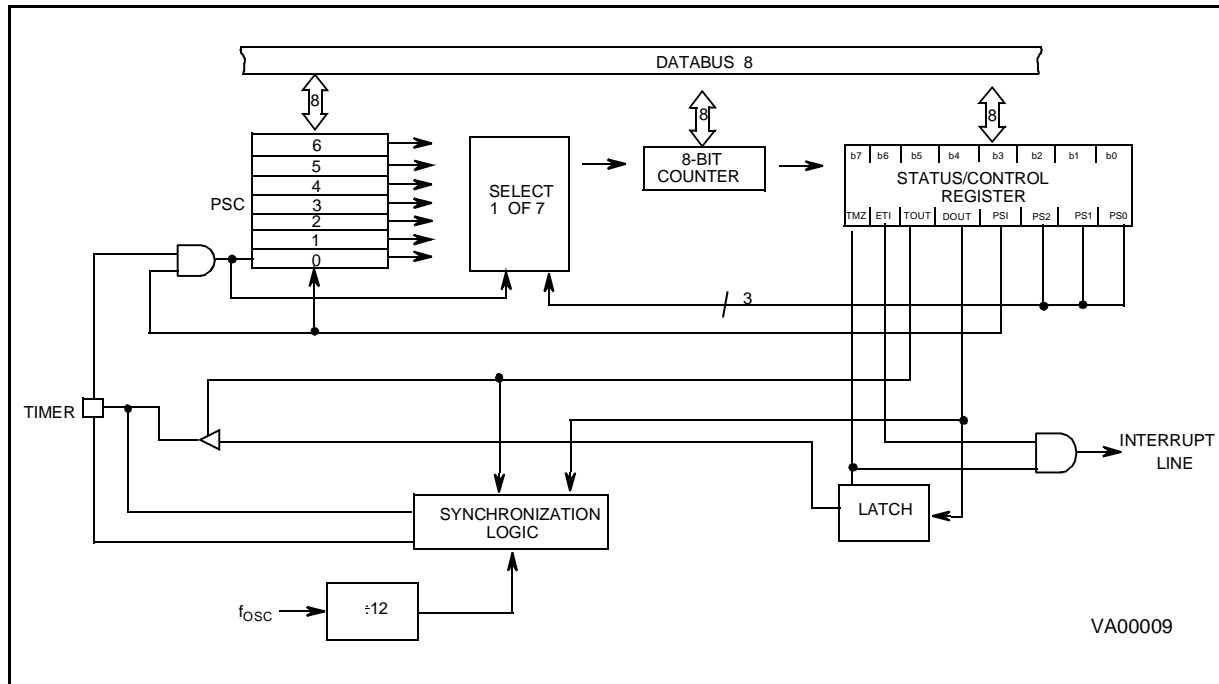
Figure 1 shows the Timer Block Diagram. The external TIMER pin is available to the user. The content of the 8-bit counter can be read/written in the Timer/Counter register, TCR, while the state of the 7-bit prescaler can be read in the PSC register. The control logic device is managed in the TSCR register as described in the following paragraphs.

The 8-bit counter is decremented by the output (rising edge) coming from the 7-bit prescaler and can be loaded and read under program control. When it decrements to zero then the TMZ (Timer Zero) bit in the TSCR is set to "1". If the ETI (Enable Timer Interrupt) bit in the TSCR is also set to "1", an interrupt request is generated as described in the Interrupt Chapter. The Timer interrupt can be used to exit the MCU from WAIT mode.

The prescaler input can be the internal frequency f_{INT} divided by 12 or an external clock applied to the TIMER pin. The prescaler decrements on the rising edge. Depending on the division factor programmed by PS2, PS1 and PS0 bits in the TSCR. The clock input of the timer/counter register is multiplexed to different sources. For division factor 1, the clock input of the prescaler is also that of timer/counter; for factor 2, bit 0 of the prescaler register is connected to the clock input of TCR. This bit changes its state at half the frequency of the prescaler input clock. For factor 4, bit 1 of the PSC is connected to the clock input of TCR, and so forth. The prescaler initialize bit, PSI, in the TSCR register must be set to "1" to allow the prescaler (and hence the counter) to start. If it is cleared to "0", all the prescaler bits are set to "1" and the counter is inhibited from counting. The prescaler can be loaded with any value between 0 and 7Fh, if bit PSI is set to "1". The prescaler tap is selected by means of the PS2/PS1/PS0 bits in the control register.

Figure 2 illustrates the Timer's working principle.

Figure 21. Timer Block Diagram



TIMER (Cont'd)

4.2.1 Timer Operating Modes

There are three operating modes, which are selected by the TOUT and DOUT bits (see TSCR register). These three modes correspond to the two clocks which can be connected to the 7-bit prescaler ($f_{INT} \div 12$ or TIMER pin signal), and to the output mode.

4.2.1.1 Gated Mode

(TOUT = "0", DOUT = "1")

In this mode the prescaler is decremented by the Timer clock input ($f_{INT} \div 12$), but ONLY when the signal on the TIMER pin is held high (allowing pulse width measurement). This mode is selected by clearing the TOUT bit in the TSCR register to "0" (i.e. as input) and setting the DOUT bit to "1".

4.2.1.2 Event Counter Mode

(TOUT = "0", DOUT = "0")

In this mode, the TIMER pin is the input clock of the prescaler which is decremented on the rising edge.

4.2.1.3 Output Mode

(TOUT = "1", DOUT = data out)

The TIMER pin is connected to the DOUT latch, hence the Timer prescaler is clocked by the prescaler clock input ($f_{INT} \div 12$).

The user can select the desired prescaler division ratio through the PS2, PS1, PS0 bits. When the TCR count reaches 0, it sets the TMZ bit in the TSCR. The TMZ bit can be tested under program control to perform a timer function whenever it goes high. The low-to-high TMZ bit transition is used to latch the DOUT bit of the TSCR and transfer it to the TIMER pin. This operating mode allows external signal generation on the TIMER pin.

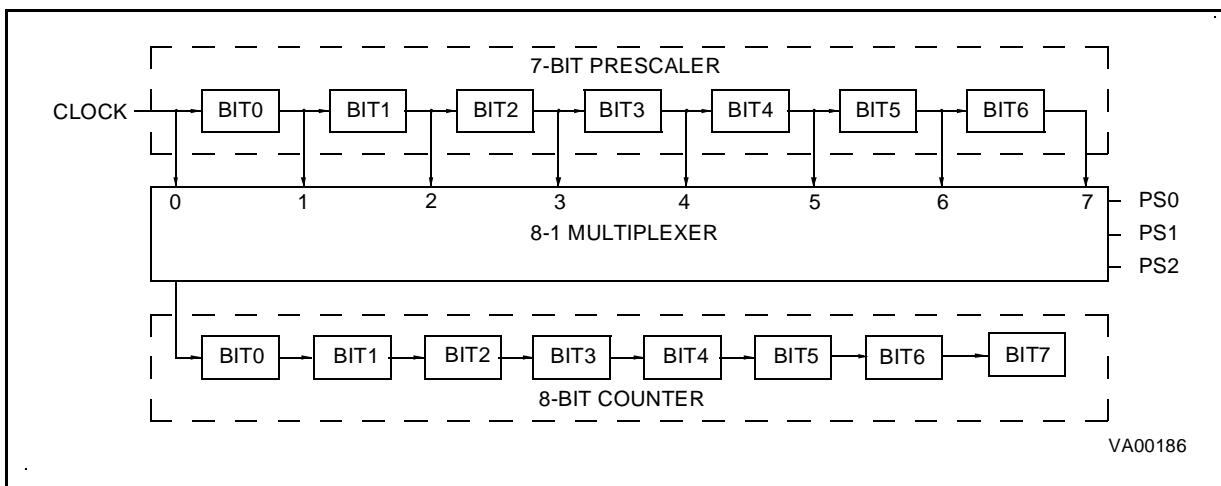
Table 14. Timer Operating Modes

TOUT	DOUT	Timer Pin	Timer Function
0	0	Input	Event Counter
0	1	Input	Gated Input
1	0	Output	Output "0"
1	1	Output	Output "1"

4.2.2 Timer Interrupt

When the counter register decrements to zero with the ETI (Enable Timer Interrupt) bit set to one, an interrupt request is generated as described in the Interrupt Chapter. When the counter decrements to zero, the TMZ bit in the TSCR register is set to one.

Figure 22. Timer Working Principle



TIMER (Cont'd)

4.2.3 Application Notes

The user can select the presence of an on-chip pull-up on the TIMER pin as option.

TMZ is set when the counter reaches zero; however, it may also be set by writing 00h in the TCR register or by setting bit 7 of the TSCR register. The TMZ bit must be cleared by user software when servicing the timer interrupt to avoid undesired interrupts when leaving the interrupt service routine. After reset, the 8-bit counter register is loaded with 0FFh, while the 7-bit prescaler is loaded with 07Fh, and the TSCR register is cleared. This means that the Timer is stopped (PSI="0") and the timer interrupt is disabled.

If the Timer is programmed in output mode, the DOUT bit is transferred to the TIMER pin when TMZ is set to one (by software or due to counter decrement). When TMZ is high, the latch is transparent and DOUT is copied to the timer pin. When TMZ goes low, DOUT is latched.

A write to the TCR register will predominate over the 8-bit counter decrement to 00h function, i.e. if a write and a TCR register decrement to 00h occur simultaneously, the write will take precedence, and the TMZ bit is not set until the 8-bit counter reaches 00h again. The values of the TCR and the PSC registers can be read accurately at any time.

4.2.4 Timer Registers

Timer Status Control Register (TSCR)

Address: 0D4h — Read/Write

7							0
TMZ	ETI	TOUT	DOUT	PSI	PS2	PS1	PS0

Bit 7 = **TMZ**: *Timer Zero bit*

A low-to-high transition indicates that the timer count register has decrement to zero. This bit must be cleared by user software before starting a new count.

Bit 6 = **ETI**: *Enable Timer Interrupt*

When set, enables the timer interrupt request. If ETI=0 the timer interrupt is disabled. If ETI=1 and TMZ=1 an interrupt request is generated.

Bit 5 = **TOUT**: *Timers Output Control*

When low, this bit selects the input mode for the TIMER pin. When high the output mode is selected.

Bit 4 = **DOUT**: *Data Output*

Data sent to the timer output when TMZ is set high (output mode only). Input mode selection (input mode only).

Bit 3 = **PSI**: *Prescaler Initialize Bit*

Used to initialize the prescaler and inhibit its counting. When PSI="0" the prescaler is set to 7Fh and the counter is inhibited. When PSI="1" the prescaler is enabled to count downwards. As long as PSI="0" both counter and prescaler are not running.

Bit 2, 1, 0 = **PS2, PS1, PS0**: *Prescaler Mux. Select*. These bits select the division ratio of the prescaler register.

Table 15. Prescaler Division Factors

PS2	PS1	PS0	Divided by
0	0	0	1
0	0	1	2
0	1	0	4
0	1	1	8
1	0	0	16
1	0	1	32
1	1	0	64
1	1	1	128

Timer Counter Register TCR

Address: 0D3h — Read/Write

7							0
D7	D6	D5	D4	D3	D2	D1	D0

Bit 7-0 = **D7-D0**: *Counter Bits*.

Prescaler Register PSC

Address: 0D2h — Read/Write

7							0
D7	D6	D5	D4	D3	D2	D1	D0

Bit 7 = **D7**: Always read as "0".

Bit 6-0 = **D6-D0**: Prescaler Bits.

4.3 ARTIMER 16

The ARTIMER16 is a timer module based on a 16 bit downcounter with Reload, Capture and Compare features to manage timing requirements. Two outputs provide PWM and Overflow (OVF) output signals each with programmable polarity, and two inputs CP1 and CP2 control start-up, capture and/or reload operations on the central counter.

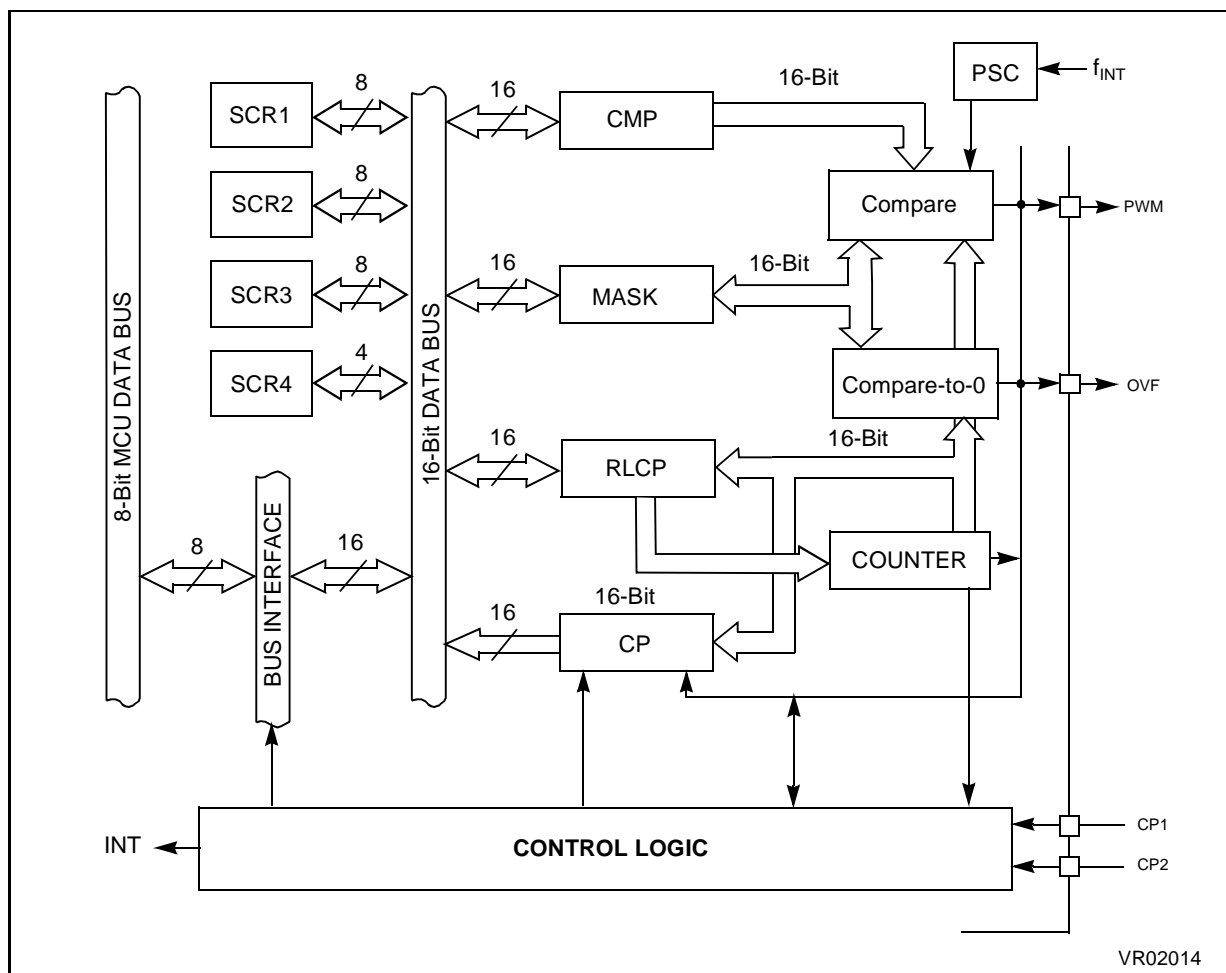
The ARTIMER16 includes four 16-bit registers CMP,RLCP,MASK and CP for the Reload, Capture and compare functions, four 8-bit status/control registers and the associated control logic. The 16-bit registers are accessed from the 8-bit internal bus. The full 16-bit word is written in two bytes, the high byte first and then the low byte. The high byte is stored in an intermediate register and is written to the target 16-bit register at the same

time as the write to the low byte. This high byte will remain constant if further writes are made to the low bytes, until the high byte is changed. Full Read/Write access is available to all registers except where mentioned.

The ARTIMER16 may be placed into the reset mode by resetting RUNRES to 0 in order to achieve lower consumption. The contents of RLCP, CP, MASK and CMP are not affected, nor is the previous run mode of the timer changed. If RUNRES is subsequently set to 1, the timer restarts in the same RUN mode as previously set if no changes are made to the timer status registers.

Finally, interrupt capabilities are associated to the Reload, Capture and Compare features.

Figure 23. . ARTIMER16 Block Diagram



4.3.1 CENTRAL COUNTER

The core of the 16 bit Auto-Reload Timer is a 16-bit synchronous downcounter which accepts the MCU internal clock through a prescaler with a programmable ratio (1/1, 1/4, 1/16).

The maximum time for downcounting is therefore $2^{16} \times Psc \times Tclk$ where Psc is the prescaler ratio, and Tclk the period of the main oscillator.

This down counter is stopped and its content kept cleared as long as RUNRES bit is cleared.

4.3.1.1 Reload functions

The 16-bit down counter can be reloaded 3 different ways:

At a zero overflow occurrence with the bit RELOAD cleared: The counter is reloaded to FFFFh.

At a zero overflow occurrence with the bit RELOAD set: The counter is reloaded with the value programmed in the RLCP register. For each overflow, the transition between 0000h and the reload value (RLCP or FFFFh) is flagged through the OVFFLG bit.

At an external event on pin CP1 or CP2 with the bit RELOAD set: The counter is reloaded with the value programmed in the RLCP register.

As a consequence, the time between a timer reload and a zero overflow occurrence depends on the value in RLCP when RELOAD bit is set. This time is equal to $(RLCP+1) \times Psc \times Tclk$ when RELOAD bit is set, while it is $2^{16} \times Psc \times Tclk$ when RELOAD bit is cleared.

4.3.1.2 Compare functions

The value in the counter CT is continuously compared to 0000h and to the value programmed into the Compare Register CMP. The comparison range to 0000h and CMP is defined by using the MASK register to select which bits are used, therefore the comparisons performed are:

- $MASK \& CT \stackrel{?}{=} MASK \& CMP$.
- $MASK \& CT \stackrel{?}{=} 0000h$.

When a matched comparison to 0000h or MASK&CMP occurs, the flags ZEROFLG and COMPFLG are respectively set.

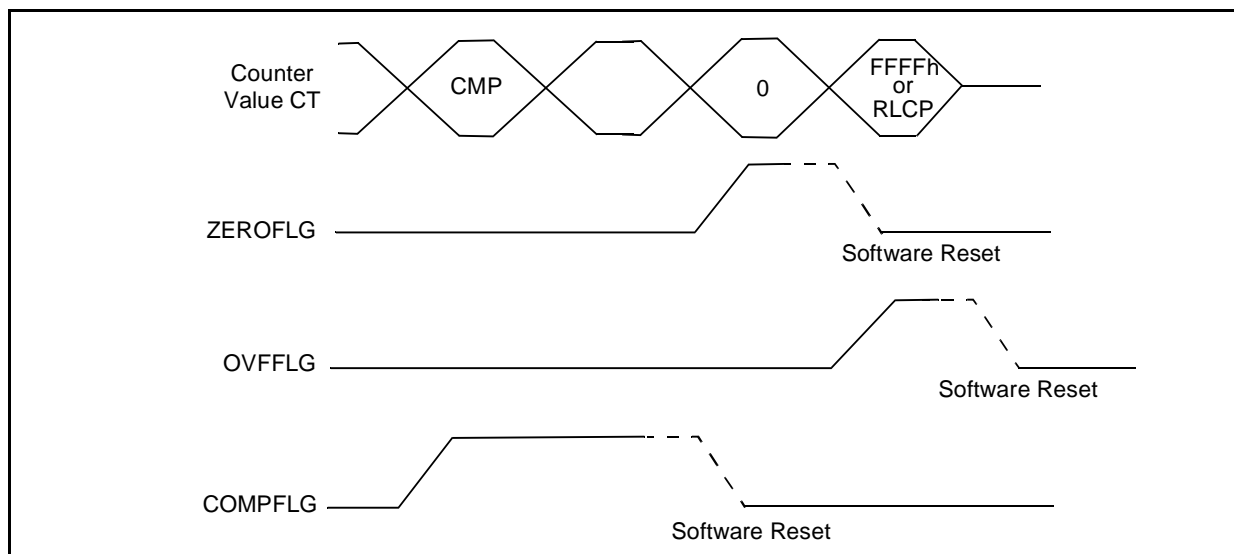
By using MASK values reported in Table 16., the MASK register works as counter frequency multiplier for the compare functions. In that case positive masked comparison occur with a period of $2^{(n+1)} \times Psc \times Tclk$ where n is the position of the most significant bit of MASK value.

Table 16. .Recommended Mask Values

Hexadecimal	Binary	MSbit at 1 position,n
FFFFh	1111 1111 1111 1111	15
7FFFh	0111 1111 1111 1111	14
3FFFh	0011 1111 1111 1111	13
1FFFh	0001 1111 1111 1111	12
0FFFh	0000 1111 1111 1111	11
...	...	
0007h	0000 0000 0000 0111	2
0003h	0000 0000 0000 0011	1
0001h	0000 0000 0000 0001	0

Note: Writing 0000h in MASK gives a period equal to two times the prescaled period Psc x Tclk.

Figure 24. . Flags Setting in Compare and Reload Functions



CENTRAL COUNTER (Cont'd)

4.3.1.3 Capture functions

Content of the counter CT can always be downloaded (captured) into the CP register at selectable event occurrence on pins CP1 and CP2, while capture in RLCP is possible only when the bit RELOAD is cleared.

Capture functions with RELOAD cleared are used for period or pulse width measurements with input CP2, or for phase measurements between two signals on CP1 and CP2, with the counter in free running mode. In these modes, counter values by the two events occurrence are stored into RLCP and CP and the counter remains in free running mode.

Capture functions with RELOAD set, are used for same application purpose, but in that case, the first event reloads the counter from RLCP while the second event captures the counter content into the CP register. Therefore, the counter is not in free running mode for other functions since the down counting start is initiated by either CP1, CP2 or RUNRES event according to RLDSEL1 and RLDSEL2 bit.

4.3.2 SIGNAL GENERATION MODES

4.3.2.1 Output modes

Any positive comparison to 0000h or MASK&CMP, and any overflow occurrence can be used to control the OVF or PWM output pins in various modes defined by bits OVFMD, PWM-POL, PWMEN and PWMMMD.

PWM pin output modes

MASK & CNT = 0000h	x	x	no	yes	no	yes	X
MASK&CT= MASK&CMP	x	x	yes	no	yes	no	yes
PWMEN	0	0	1	1	1	1	1
PWMMMD	X	X	0	0	0	0	1
PWMPOL	0	1	0	0	1	1	X
PWM pin	0	1	Reset	Set	Set	Reset	Toggle

Achievable periods on PWM pin

Mask value	FFFFh	xxxxh
Period in Set/Reset mode (PWMMMD=0)	$(RLCP+1) \times Psc \times Tclk$	$2^{(n+1)} \times Psc \times Tclk$
Period in Toggle mode (PWMMMD=1)	$2 \times (RLCP+1) \times Psc \times Tclk$	$2 \times 2^{(n+1)} \times Psc \times Tclk$

Note: n is the position of the most significant bit of MASK value.

OVF pin output modes

Zero overflow (OVFFLG)	1	1
OVFMD	0	1
OVF pin	Set*	Toggle

* The OVF pin is reset by clearing the flag OVFFLG.

4.3.2.2 Frequency and duty cycles on PWM pins

In Set/Reset mode (PWMMMD=0), the period on the PWM pin is the time between two matched masked comparison to 0000h, at which PWM pin is set (PWMPOL=1) or reset (PWMPOL=0). As long as no reload function from RLCP is performed (RELOAD bit cleared) and no mask is used, this value is $2^{16} \times Psc \times Tclk$. If, on the contrary, reload function or a mask are used, the frequency is controlled through the RLCP and MASK values (Figure 25.). The condition to reset (PWMPOL=1) or set back (PWMPOL=0) PWM pin is a matched masked comparison to CMP. Given a RLCP and MASK values within the Table 1, CMP defines the duty cycle.

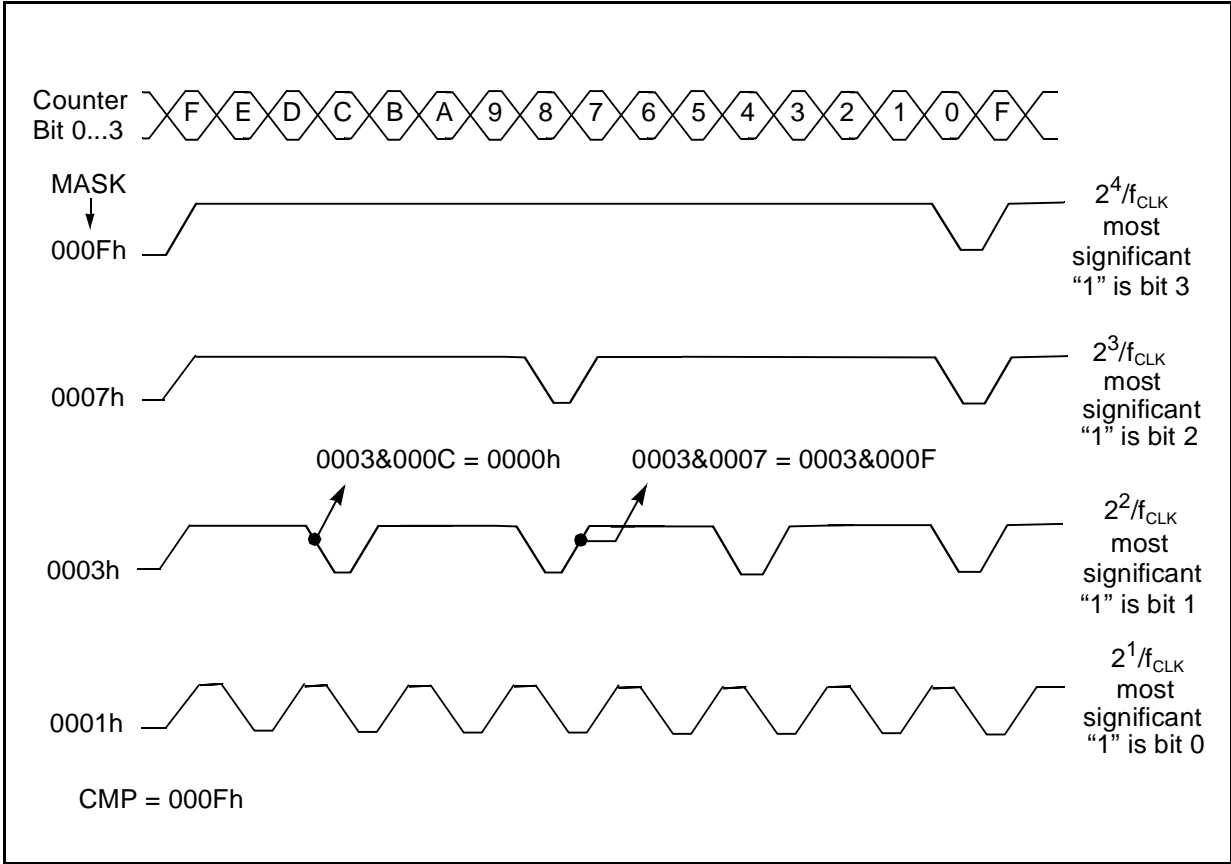
In Toggle mode (PWMMMD=1), PWM pin changes of state at each positive masked comparison to CMP value. The frequency is half the frequency in Set/Reset mode and the duty-cycle is always 50%.

4.3.2.3 Frequency and duty cycles on OVF pin

OVF pin activation is directed by the timer overflow occurrence and therefore its frequency depends only of the downcounting time from the reload value to 0000h. This means its period is equal to $T = (RLCP+1) \times Psc \times Tclk$ in Set/Reset mode and $2 \times (RLCP+1) \times Psc \times Tclk$ in Toggle mode.

Duty cycle is controlled in Set/Reset mode (OVFMD cleared) by software, since OVF pin can be reset only by clearing the OVFFLG bit. In toggle mode (OVFMD set), the duty cycle is always 50%.

Figure 25. . Mask Impact on the Compare Functions in PWM mode (PWMD=0, PWMPOL=1)



4.3.3 TIMINGS MEASUREMENT MODES

These modes are based on the capture of the down counter content into either CP or RLCP registers. Some are used in conjunction with a synchronisation of the down counter by reload functions on external event on CPi pins or software RUNRES setting, while other modes do not affect the downcounting. As long as RELOAD bit is cleared, the down counter remains in free running mode.

RELOAD	
1	Reload on CP1,CP2, RUNRES / Capture CP2
0	Capture CP1 / Capture CP2

4.3.3.1 Timing measurement with startup control

Three startup conditions, selected by RLDSELi bit can reload the counter from RLCP and initiate the down counting when RELOAD bit is set. The first mode is software controlled through the RUNRES bit, while the two others are based on external event on pins CP1 and CP2 with configurable polarities.

External event on CP2 pin (with configurable polarities) is used as strobe to launch the capture of the CT counter into CP. When RELOAD bit is set, RLCP cannot be used for capture, since it contains the reload value..

Finally, 3 different Reload/Capture sequences are available:

- CP1 triggered restart mode with CP2 event detection.
- CP2 triggered restart mode with second CP2 event detection.
- Software triggered restart mode with CP2 event detection.

CP1 triggered restart mode with CP2 event detection.

This mode is enabled for RLDSEL2=0 and RLDSEL1=1.

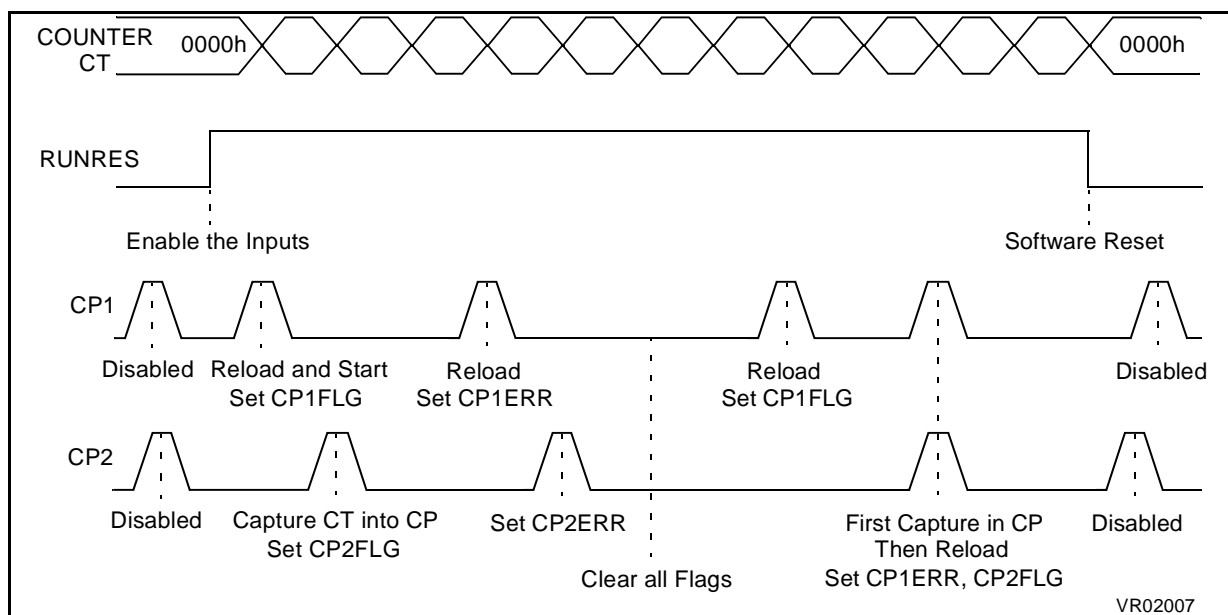
External events on CPi pins are enabled as soon as RUNRES bit is set, which lets the prescaler and the down counter running. The next active edge on CP1 causes the counter to be loaded from RLCP, the CP1FLG to be set and the downcounting starts from RLCP value. Each following active edge on CP1 will cause a reload of the counter. If CP1FLG is not reset before the next reload, the CP1ERR flag is set at the same time as the counter is reloaded. Both flags should then be cleared by software.

While the counter is counting, any active edge on CP2 will capture the value of the counter at that instant into the CP Register and set the CP2FLG bit. If CP2FLG is not cleared before the following CP2 event, the CP2ERR flag bit is set, and no new capture can be performed

Capturing is re-enabled by clearing both CP2FLG and CP2ERR.

If a capture on CP2 and a reload on CP1 occur at the same time, the capture of the counter to CP is made first, and then the counter is reloaded from RLCP.

Figure 26. . CP1 Triggered Restart Mode with CP2 Event Detection



TIMINGS MEASUREMENT MODES (Cont'd)

CP2 triggered restart mode with CP2 event detection.

This mode is enabled for RLDSEL2=1 and RLDSEL1=0.

As long as RUNRES bit is set, an external event on CP2 pin generates both, at first the capture into CP, and then the reload from RLCP. Capture into CP on CP2 event is enabled only if CP2FLG and CP2ERR are cleared, otherwise only reload functions from RLCP are performed.

An external event on CP1 activates CP1FLG or CP1ERR flags without any impact on the reload or capture functions.

Note: After Reset, the first CP2 event will capture the 0000h state of the counter into CP and then will restart the counter after loading it from RLCP. CP2FLG flag must always be cleared to execute another capture into CP.

Software triggered restart mode with CP2 event detection.

This mode is enabled for RLDSEL2=0 and RLDSEL1=0.

RUNRES bit setting initiates the reload and start-up of the downcounting, while CP2 is used as strobe source for the CT capture into CP register.

Figure 27. . CP2 Triggered Restart Mode with CP2 Event Detection

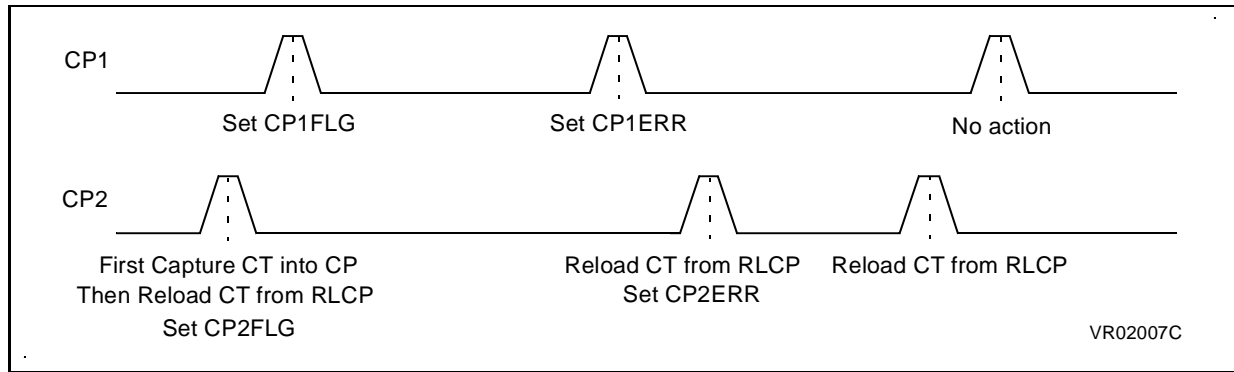
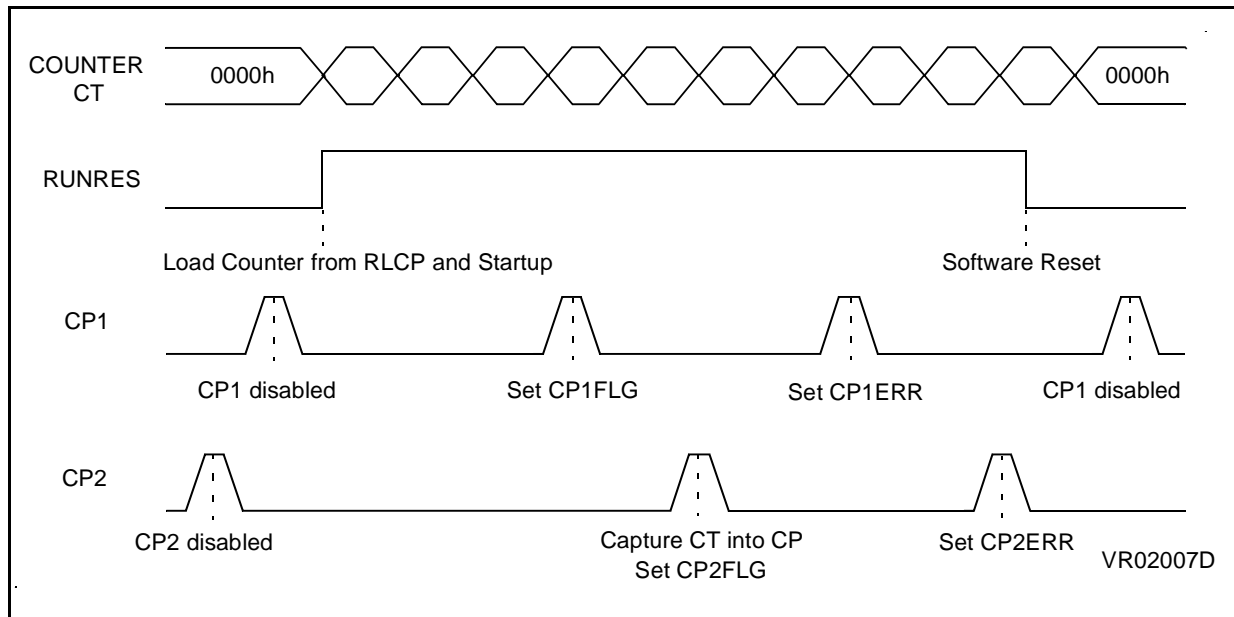


Figure 28. . Software Triggered Restart Mode with CP2 Event Detection



TIMINGS MEASUREMENT MODES (Cont'd)

4.3.3.2 Timing measurement without startup control

The down counter is in free running mode with RUNRES bit set and RELOAD bit cleared. This means counter automatically restarts from FFFFh on zero overflow and signal generation on PWM and OVF pins is not affected.

Two independent capture paths exist to CP and RLCP, which are both Read only registers. CP1 is the source (Configurable polarity) for a capture into RLCP while CP2 is the source (Configurable polarity) of a capture into CP.

Independently of CP2 signal, if CP1FLG and CP1ERR are cleared, the first active edge on CP1 will trigger a capture into RLCP, triggering CP1FLG. As long as CP1FLG has not been cleared, a second following active edge will trig CP1ERR without any capture into neither RLCP nor CP.

Independently of CP1 signal, if CP2FLG and CP2ERR are cleared, the first active edge on CP2 will trigger a capture into CP, triggering CP2FLG. As long as CP2FLG has not been cleared, a sec-

ond following active edge will trig CP2ERR without any capture into neither RLCP or CP.

4.3.4 INTERRUPT CAPABILITIES

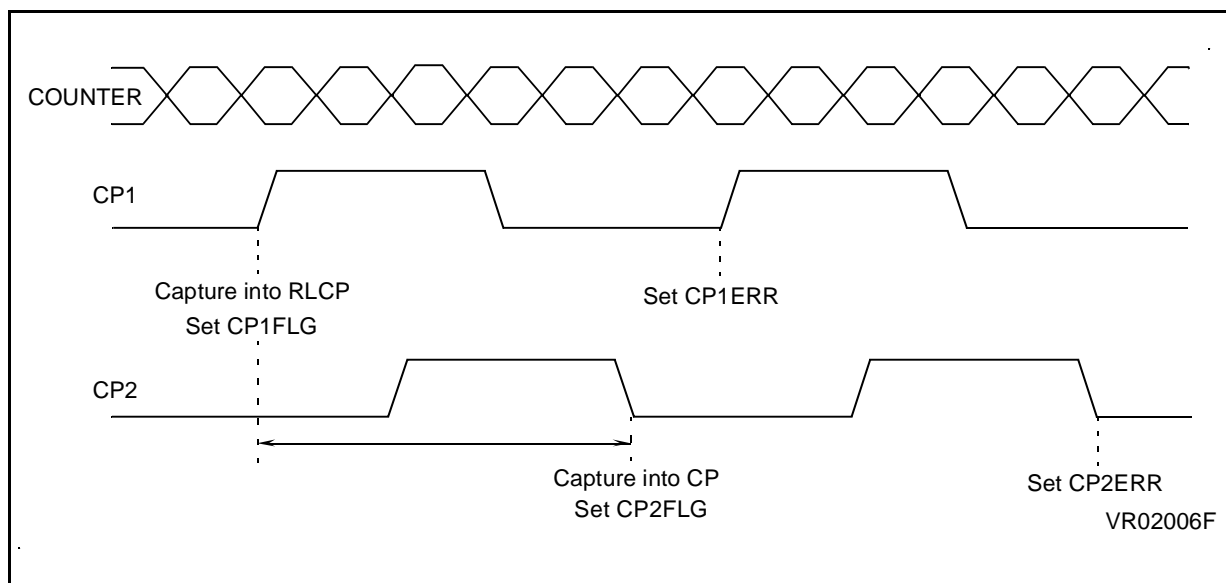
The interrupt source latches of the ARTIMER16 are always enabled and set any time the interrupt condition occurs.

The interrupt output is a logical OR of five logical ANDs:

- INT = [(CP1FLG & CP1IEN)
- OR (CP2FLG & CP2IEN)
- OR(OVFFLG & OVFIEN)
- OR(COMPFLG & CMPIEN)
- OR (ZEROFLG & ZEROIEN)]

Thus, if any enable bit is 1, the interrupt output of the ARTIMER16 goes high when the respective flag is set. If no enable bit is 1, and one of the interrupt flags is set, the interrupt output remains 0, but if the respective enable bit is set to 1 through a write operation, the interrupt output will go high, signalling the interrupt to the Core.

Figure 29. . Positive CP1 - to negative CP2-Edge Measurement (CP1POL = 1, CP2POL = 0)



Application Note:

Depending on polarity setting for CP1/CP2, and of CP1/CP2 connections, phase, period and pulse width measurements can be achieved. The total independence between CP1 and CP2 captures allows phase detection by measuring which of

CP1FLG or CP2FLG is set at first following a reset of these flags.

CP1=CP2	CP1POL=CP2POL	Measurement
Yes	Yes	Period
Yes	No	Pulse width
No	X	Phase

4.3.5 CONTROL REGISTERS

Status Control Register 1 (SCR1)

Address: E8h - Read/Write/Clear only

7	0						
PSC2	PSC1	RELOAD	RUNRES	OVFIEN	OVFFLG	OVFMD	-

Bits 7 & 6 = **PSC2..PSC1**. *Clock Prescaler*. These bits define the prescaler options for the prescaler to the Counter Register according to the following table.

PSC2	PSC1	Function
0	0	Clock Disabled (prescaler and counter stopped)
0	1	Prescale by 1
1	0	Prescale by 4
1	1	Prescale by 16

The Prescaler must be disabled (PSC2 = 0, PSC1 = 0) before a new prescaler factor is set if the counter is running (after a hardware reset the prescaler is automatically disabled).

To avoid inconsistencies in timing, the prescaler factor should be set first, and then the counter started.

Bit 5 = **RELOAD**. Reload enabled. When set this bit enables reload from RLCP register into CT register. On the contrary, if RELOAD is cleared, RLCP is used as target for capture from the counter CT register.

Bit 4 = **RUNRES**. *Run/Reset*. This bit enables the RUN or RESET operation of the ARTIMER.

If 0, the counter CT is cleared to zero, and is stopped. Setting this bit to 1 permits the startup of the counter, and enables the synchronisation circuits for the timer inputs CP1 and CP2.

Bit 3 = **OVFIEN**. *Overflow Int. Enable*. The Overflow Interrupt is masked when this bit is 0. Setting the bit to 1 enables the overflow flag to set the ARTIMER interrupt.

Bit 2 = **OVFFLG**. When this bit is 0, no overflow has occurred since the last clear of this bit. If the bit is at 1, an overflow has occurred.

This bit cannot be set by program, only cleared.

Bit 1 = **OVFMD**. The Overflow Output mode is set by this bit; when 0, the overflow output is run in set mode (OVF will be set on the first overflow event, and will be reset when OVFFLG is cleared). When 1 the overflow output is in toggle mode; OVF toggles its state on every overflow event (independent to the state of OVFFLG).

Bit 0 = This bit is reserved and must be set to 0.

Status Control Register 2 (SCR2)

Address: E1h - Read/Write/Clear only

7	0						
-	CP1ERR	CP2ERR	CP1IEN	CP1FLG	CP1POL	RLDSEL2	RLDSEL1

Bit 7 = Reserved. Must be kept cleared.

Bit 6 = **CP1ERR**. *CP1 Error Flag*. This bit is set to 1 if a new CP1 event has taken place since CP1FLG was set to signal an error condition, it is 0 if there has been no event.

It is recommended to clear CP1ERR at any time that CP1FLG is cleared, as further CP1 events cannot be recognised if CP1ERR is set. This bit cannot be set by write, only cleared.

Bit 5 = **CP2ERR**. *CP2 Error Flag*. This bit is set to 1 if a new CP2 event has taken place since CP2FLG was set to signal an error condition, it is 0 if there has been no event.

It is recommended to clear CP2ERR at any time that CP2FLG is cleared, as further CP2 events cannot be recognised if CP2ERR is set. This bit cannot be set by write, only cleared.

Bit 4 = **CP1IEN**. *CP1 Interrupt Enable*. CP1 The Capture 1 Interrupt is masked when this bit is 0. Setting the bit to 1 enables the CP1 event flag CP1FLG to set the ARTIMER interrupt.

Bit 3 = **CP1FLG**. *CP1 Interrupt Flag*. When this bit is 0, no CP1 event has occurred since the last clear of this bit. If the bit is at 1, a CP1 event has occurred.

This bit cannot be set by program, only cleared.

Bit 2 = **CP1POL**. *CP1 Edge Polarity Select*. CP1POL defines the polarity for triggering the CP1 event.

A 0 defines the action on a falling edge on the CP1 input, a 1 on a rising edge.

Bit 1 & 0 = **RLDSEL2..RLDSEL1**. *Reload Source Select*. These bits define the source for the reload events; they do not affect the operation of the capture modes.

RLDSEL2	RLDSEL1	Function
0	0	Reload and startup triggered by RUNRES
0	1	Reload triggered by every CP1 event
1	0	Reload triggered by every CP2 event
1	1	Reload disabled

CONTROL REGISTERS (Cont'd)

Status Control Register 3 (SCR3)

Address: E2h - Read/Write/Clear only

7	0						
CP2POL	CP2IEN	CP2FLG	CMPIEN	CMFLG	ZEROIEN	ZEROFLG	PWMMD

Bit 7 = **CP2POL**. *CP2 Edge Polarity Select*. CP2POL defines the polarity for triggering the CP2 event.

A 0 defines the action on a falling edge on the CP2 input, a 1 on a rising edge.

Bit 6 = **CP2IEN**. *CP2 Interrupt Enable*. The Capture 2 Interrupt is masked when this bit is 0. Setting the bit to 1 enables the CP2 event flag CP2FLG to set the ARTIMER interrupt.

Bit 5 = **CP2FLG**. *CP2 Interrupt Flag*. When this bit is 0, no CP2 event has occurred since the last clear of this flag. If the bit is at 1, the first CP2 event and capture into CP has occurred.

This bit cannot be set by program, only cleared.

Bit 4 = **CMPIEN**. *Compare Int. Enable*. The Compare Interrupt is masked when this bit is 0.

Setting the bit to 1 enables the Compare flag CMPFLG to set the ARTIMER interrupt.

Bit 3 = **CMPFLG**. *Compare Flag*. When this bit is 0, no Masked-Compare True event has occurred since the last clear of this flag. If the bit is at 1, a

Masked-Compare event has occurred.

This bit cannot be set by program, only cleared.

Bit 2 = **ZEROIEN**. *Compare to Zero Int Enable*. The Masked-Counter Zero Interrupt is masked when this bit is 0. Setting the bit to 1 enables the ZEROFLG flag to set the ARTIMER interrupt.

Bit 1 = **ZEROFLG**. *Compare to Zero Flag*. When this bit is 0, no Masked-Counter Zero event has occurred since the last clear of this flag. If the bit is at 1, a Masked-Counter Zero event has occurred as the Masked Counter state equals 0 when running or on hold (not on Reset).

Bit 0 = **PWMMD**. *PWM Output Mode Control*. The PWM Output mode is set by this bit; when 0, the PWM output is run in set/reset mode (the PWM output is set on a Masked-Counter Zero event and is reset when on a Masked-Compare event).

When 1 the PWM output is in toggle mode; PWM toggles its state on every Masked-Compare event.

Notes:

A Masked-Compare is the logical AND of the Mask Register MASK with the Counter Register CT, compared with the logical AND of the compare Register CMP: [(MASK & CT) = (MASK&CMP)].

A Masked-Counter Zero is the logical AND of the Mask Register MASK with the Counter Register CT, compared with zero: [(MASK & CT) = 0000h]

CONTROL REGISTERS (Cont'd)**Status Control Register 4 (SCR4)**

Address: E3h - Read/Write/Clear only

7							0
Res.	Res.	Res.	Res.	OVFPOL	OVFEN	PMPOL	PWME N

Bit7- Bit4 = Reserved, set to 0.

Bit 3 = **OVFPOL**. *Overflow Output Polarity*. This bit defines the polarity for the Overflow Output OVF. When 0, OVF is set on every overflow event if enabled in Set mode (OVFEN = 1, OVFMMD = 0). The reset state of OVF is 0.

When 1, OVF is reset on every overflow event if enabled in Set mode.

The reset state of OVF is 1.

Bit 2 = **OVFEN**. *Overflow Output Enable*. This bit enables the Overflow output OVF. When 0 the Overflow output is disabled: if OVFPOL = 0, the state of OVF is 0, if OVFPOL = 1, the state of OVF = 1. The Overflow Output is enabled when this bit = 1, it must be set to use the OVF output.

Bit 1 = **PWMPOL**. *PWM Output Polarity*. This bit defines the polarity for the PWM Output PWM.

When 0, PWM is set on every Masked-Counter Zero event and is reset on a Masked-Compare if enabled in Set/Reset mode (PWMEN = 1, PWMMD = 0).

The reset state of PWM pin is 0 When 1, OVF is set on every Masked-Counter event and is reset on a Masked-Counter Zero event if enabled in Set/Reset mode (PWMEN = 1, PWMMD = 0).

The reset state of PWM is 1.

Bit 0 = **PWMEN**. *PWM Output Enable*. This bit enables the PWM output PWM. When 0 the PWM output is disabled: if PWMPOL = 0, the state of PWM is 0, if PWMPOL = 1, the state of PWM = 1.

The PWM Output is enabled when this bit = 1, it must be set to use the PWM output.

Notes:

A Masked-Compare is the logical AND of the Mask Register MASK with the Counter Register CT, compared with the logical AND of the compare Register CMP: [(MASK & CT) = (MASK&CMP)].

A Masked-Counter Zero is the logical AND of the Mask Register MASK with the Counter Register CT, compared with zero: [(MASK & CT) = 0000h].

4.3.6 16-BIT REGISTERS

Note: Care must be taken when using single-bit instructions (RES/SET/INC/DEC) 16-bit registers (RLCP, CP, CMP, MSK) since these instructions imply a READ-MODIFY-WRITE operation on the register. As the ST6 is based on a 8-bit architecture, to write a 16-bit register, the high byte must be written first to an intermediate register (latch register) and the whole 16-bit register is loaded at the same time as the low byte is written. A WRITE operation of the HIGH byte is performed on the intermediate register (latch register) but a READ operation of the HIGH byte is directly performed on the 16-bit register (last loaded value). As a consequence, it is always mandatory to write the LOW byte before any single-bit instruction on the HIGH byte in order to load the value set in the intermediate register to the 16-bit register (refresh the 16-bit register).

Example:

The following sequence is NOT GOOD:

```
ldi t16cmph, 055h
ldi t16cmpl, 000h
; t16cmp (16-bit register)=5500h
ldi t16cmph, 0AAh
; t16cmp (16-bit register)=5500h
inc t16cmph
; t16cmp (16-bit register)=5500h
ldi t16cmpl, 000h
; t16cmp (16-bit register)=5600h
; and NOT AB00h
```

The CORRECT sequence is:

```
ldi t16cmph, 055h
ldi t16cmpl, 000h
; t16cmp (16-bit register)=5500h
ldi t16cmph, 0AAh
; t16cmp (16-bit register)=5500h
ldi t16cmpl, 000h
; t16cmp (16-bit register)=AA00h
inc t16cmph
; t16cmp (16-bit register)=AA00h
ldi t16cmpl, 000h
; t16cmp (16-bit register)=AB00h
```

Reload/Capture Register High Byte (RLCP)

Address: E9h - Read/ (Write if RELOAD bit set)

D7-D0. These bits are the High byte (D15-D8) of the 16-bit Reload/Capture Register.

Reload/Capture Register Low Byte (RLCP)

Address: EAh - Read/ (Write if RELOAD bit set)

D7-D0. These bits are the Low byte (D7-D0) of the 16-bit Reload/Capture Register.

Capture Register High Byte (CP)

Address: EBh - Read Only

D7-D0. These bits are the High byte (D15-D8) of the 16-bit Capture Register.

Capture Register Low Byte (CP)

Address: ECh - Read Only

D7-D0. These bits are the Low byte (D7-D0) of the 16-bit Capture Register.

Compare Register High Byte (CMP)

Address: EDh - Read/Write

D7-D0. These bits are the High byte (D15-D8) of the 16-bit Compare Register.

Compare Register Low Byte (CMP)

Address: EEh - Read/Write

D7-D0. These bits are the Low byte (D7-D0) of the 16-bit Compare Register.

Mask Register High Byte (MASK)

Address: EFh - Read/Write

D7-D0. These bits are the High byte (D15-D8) of the 16-bit Mask Register.

Mask Register Low Byte (MASK)

Address: E0h - Read/Write

D7-D0. These bits are the Low byte (D7-D0) of the 16-bit Mask Register.

4.4 A/D CONVERTER (ADC)

The A/D converter peripheral is an 8-bit analog to digital converter with analog inputs as alternate I/O functions (the number of which is device dependent), offering 8-bit resolution with a selectable conversion time of 70 μ s or 35 μ s (at an oscillator clock frequency of 8MHz).

The ADC converts the input voltage by a process of successive approximations, using a clock frequency derived from the oscillator with a division factor of 12 or 6. After Reset, division by 12 is used by default to insure compatibility with other members of the ST62 MCU family. With an oscillator clock frequency less than 1.2MHz, conversion accuracy is decreased.

Selection of the input pin is done by configuring the related I/O line as an analog input via the Option and Data registers (refer to I/O ports description for additional information). Only one I/O line must be configured as an analog input at any time. The user must avoid any situation in which more than one I/O pin is selected as an analog input simultaneously, to avoid device malfunction.

The ADC uses two registers in the data space: the ADC data conversion register, ADR, which stores the conversion result, and the ADC control register, ADCR, used to program the ADC functions.

A conversion is started by writing a "1" to the Start bit (STA) in the ADC control register. This automatically clears (resets to "0") the End Of Conversion Bit (EOC). When a conversion is complete, the EOC bit is automatically set to "1", in order to flag that conversion is complete and that the data in the ADC data conversion register is valid. Each conversion has to be separately initiated by writing to the STA bit.

The STA bit is continuously scanned so that, if the user sets it to "1" while a previous conversion is in progress, a new conversion is started before completing the previous one. The start bit (STA) is a write only bit, any attempt to read it will show a logical "0".

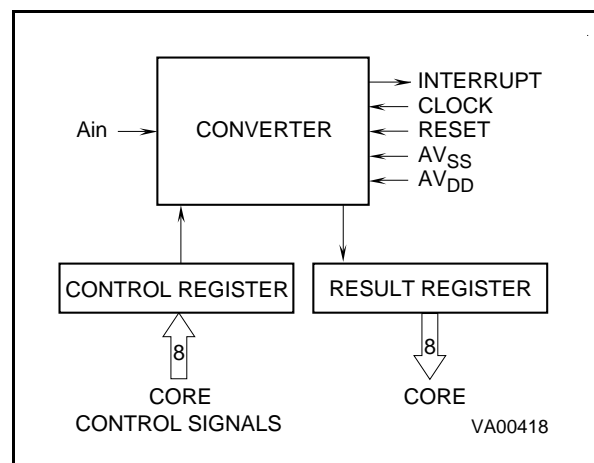
The A/D converter features a maskable interrupt associated with the end of conversion. The interrupt request occurs when the EOC bit is set (i.e. when a conversion is completed). The interrupt is masked using the EAI (interrupt mask) bit in the control register.

The power consumption of the device can be reduced by turning off the ADC peripheral. This is done by setting the PDS bit in the ADC control register to "0". If PDS="1", the A/D is powered and enabled for conversion. This bit must be set at

least one instruction before the beginning of the conversion to allow stabilisation of the A/D converter. This action is also needed before entering WAIT mode, since the A/D comparator is not automatically disabled in WAIT mode.

During Reset, any conversion in progress is stopped, the control register is reset to 40h and the ADC interrupt is masked (EAI=0).

Figure 30. ADC Block Diagram



4.4.1 Application Notes

The A/D converter does not feature a sample and hold circuit. The analog voltage to be measured should therefore be stable during the entire conversion cycle. Voltage variation should not exceed $\pm 1/2$ LSB for the optimum conversion accuracy. A low pass filter may be used at the analog input pins to reduce input voltage variation during conversion.

When selected as an analog channel, the input pin is internally connected to a capacitor C_{ad} of typically 12pF. For maximum accuracy, this capacitor must be fully charged at the beginning of conversion. In the worst case, conversion starts one instruction (6.5 μ s) after the channel has been selected. In worst case conditions, the impedance, ASI, of the analog voltage source is calculated using the following formula:

$$6.5\mu s = 9 \times C_{ad} \times ASI$$

(capacitor charged to over 99.9%), i.e. 30 k Ω including a 50% guardband. ASI can be higher if C_{ad} has been charged for a longer period by adding instructions before the start of conversion (adding more than 26 CPU cycles is pointless).

A/D CONVERTER (Cont'd)

Since the ADC is on the same chip as the micro-processor, the user should not switch heavily loaded output signals during conversion, if high precision is required. Such switching will affect the supply voltages used as analog references.

The accuracy of the conversion depends on the quality of the power supplies (V_{DD} and V_{SS}). The user must take special care to ensure a well regulated reference voltage is present on the V_{DD} and V_{SS} pins (power supply voltage variations must be less than 5V/ms). This implies, in particular, that a suitable decoupling capacitor is used at the V_{DD} pin.

The converter resolution is given by:

$$\frac{V_{DD} - V_{SS}}{256}$$

The Input voltage (A_{in}) which is to be converted must be constant for 1 μ s before conversion and remain constant during conversion.

Conversion resolution can be improved if the power supply voltage (V_{DD}) to the microcontroller is lowered.

In order to optimise conversion resolution, the user can configure the microcontroller in WAIT mode, because this mode minimises noise disturbances and power supply variations due to output switching. Nevertheless, the WAIT instruction should be executed as soon as possible after the beginning of the conversion, because execution of the WAIT instruction may cause a small variation of the V_{DD} voltage. The negative effect of this variation is minimized at the beginning of the conversion when the converter is less sensitive, rather than at the end of conversion, when the less significant bits are determined.

The best configuration, from an accuracy standpoint, is WAIT mode with the Timer stopped. Indeed, only the ADC peripheral and the oscillator are then still working. The MCU must be woken up from WAIT mode by the ADC interrupt at the end of the conversion. It should be noted that waking up the microcontroller could also be done using the Timer interrupt, but in this case the Timer will be working and the resulting noise could affect conversion accuracy.

A/D Converter Control Register (ADCR)

Address: 0D1h — Read/Write

7							0
EAI	EOC	STA	PDS	D3	CLSEL	D1	D0

Bit 7 = **EAI**: *Enable A/D Interrupt*. If this bit is set to "1" the A/D interrupt is enabled, when EAI=0 the interrupt is disabled.

Bit 6 = **EOC**: *End of conversion. Read Only*. This read only bit indicates when a conversion has been completed. This bit is automatically reset to "0" when the STA bit is written. If the user is using the interrupt option then this bit can be used as an interrupt pending bit. Data in the data conversion register are valid only when this bit is set to "1".

Bit 5 = **STA**: *Start of Conversion. Write Only*. Writing a "1" to this bit will start a conversion on the selected channel and automatically reset to "0" the EOC bit. If the bit is set again when a conversion is in progress, the present conversion is stopped and a new one will take place. This bit is write only, any attempt to read it will show a logical zero.

Bit 4 = **PDS**: *Power Down Selection*. This bit activates the A/D converter if set to "1". Writing a "0" to this bit will put the ADC in power down mode (idle mode).

Bit 3 = Reserved. Must be kept cleared

Bit 2= **CLSEL**: *Clock Selection*. When set, the ADC is driven by the MCU internal clock divided by 6, and typical conversion time at 8MHz is 35 μ s. When cleared (Reset state), MCU clock divided by 12 is used with a typical 70 μ s conversion time at 8MHz.

Bit 1-0: Reserved. Must be kept cleared.

A/D Converter Data Register (ADR)

Address: 0D0h — Read only

7							0
D7	D6	D5	D4	D3	D2	D1	D0

Bit 7-0 = **D7-D0**: *8 Bit A/D Conversion Result*.



4.5 U. A. R. T. (Universal Asynchronous Receiver/Transmitter)

The UART provides the basic hardware for asynchronous serial communication which, combined with an appropriate software routine, gives a serial interface providing communication with common baud rates (up to 38,400 Baud with an 8MHz external oscillator) and flexible character formats.

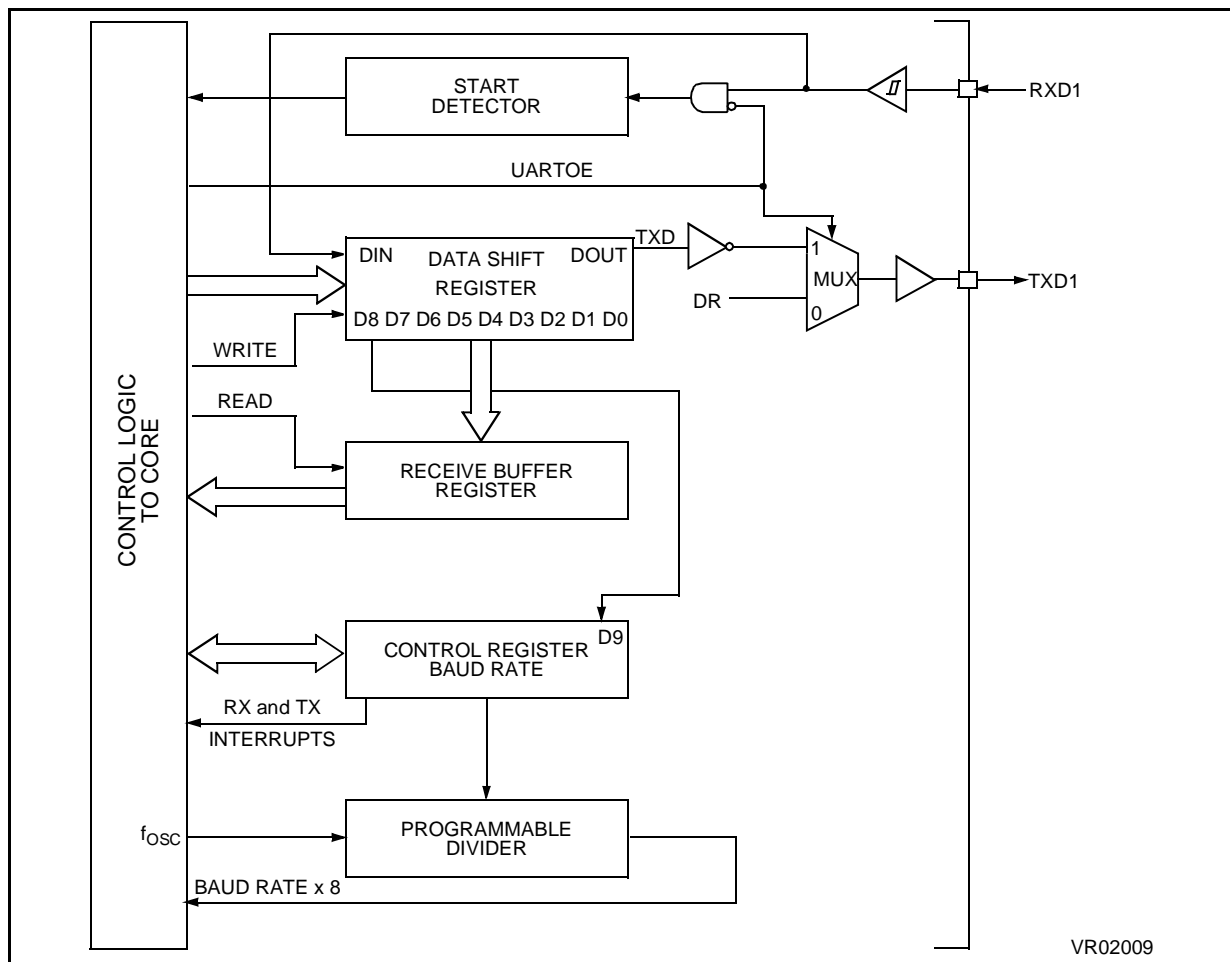
Operating in Half-Duplex mode only, the UART uses 11-bit characters comprising 1 start bit, 9 data bits and 1 Stop bit. Parity is supported by software only for transmit and for checking the received parity bit (bit 9). Transmitted data is sent directly, while received data is buffered allowing further data characters to be received while the data is being read out of the receive buffer register. Data transmit has priority over data being received.

The UART is supplied with an MCU internal clock that is also available in WAIT mode of the processor.

4.5.1 PORTS INTERFACING

RXD reception line and TXD emission line are sharing the same external pins as two I/O lines. Therefore, UART configuration requires to set these two I/O lines through the relevant ports registers. The I/O line common with RXD line must be defined as input mode (with or without pull-up) while the I/O line common with TXD line must be defined as output mode (Push-pull or open drain). The transmitted data is inverted and can therefore use a single transistor buffering stage. Defined as input, the RXD line can be read at any time as an I/O line during the UART operation. The TXD pin follows I/O port registers value when UARTOE bit is cleared, which means when no serial transmission is in progress. As a consequence, a permanent high level has to be written onto the I/O port in order to achieve a proper stop condition on the TXD line when no transmission is active.

Figure 31. UART Block Diagram



4.5.2 CLOCK GENERATION

The UART contains a built-in divider of the MCU internal clock for most common Baud Rates as shown in Table 18. Other baud rate values can be calculated from the chosen oscillator frequency divided by the Divisor value shown.

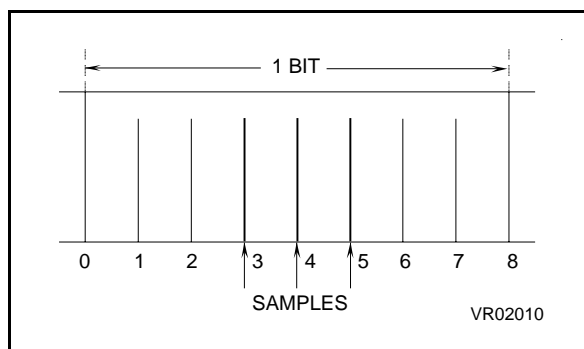
The divided clock provides a frequency that is 8 times the desired baud rate. This allows the Data reception mechanism to provide a 2 to 1 majority voting system to determine the logic state of the asynchronous incoming serial logic bit by taking 3 timed samples within the 8 time states.

The bits not sampled provide a buffer to compensate for frequency offsets between sender and receiver.

4.5.3 DATA TRANSMISSION

Transmission is fixed to a format of one start bit, nine data bits and one stop bit. The start and stop bits are automatically generated by the UART. The nine databits are under control of the user and are flexible in use. Bits 0..7 are typically used as data bits while bit 9 is typically used as parity, but can also be a 9th data bit or an additional Stop bit. As parity is not generated by the UART, it should be calculated by program and inserted in the appropriate position of the data (i.e as bit 7 for 7-bit data, with Bit 9 set to 1 giving two effective stop bits or as the independent bit 9).

Figure 32. Data Sampling Points



The character options are summarised in the following table.

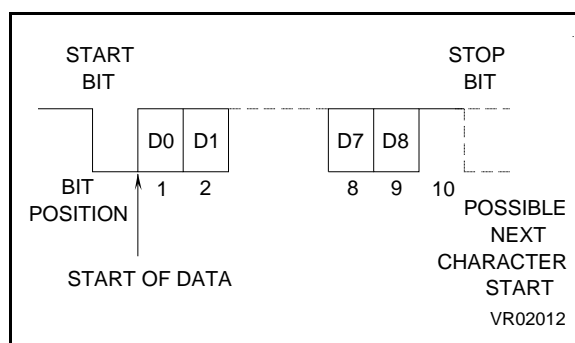
Table 17. . Character Options

Start Bit	8 Data	1 Software Parity	1 Stop
Start Bit	9 Data	No Parity	1 Stop
Start Bit	8 Data	No Parity	2 Stop
Start Bit	7 Data	1 Software Parity	2 Stop

Bit 9 remains in the state programmed for consecutive transmissions until changed by the user or until a character is received when the state of this bit is changed to that of the incoming bit 9. The recommended procedure is thus to set the value of this bit before transmission is started.

Transmission is started by writing to the Data Register (the Baud Rate and Bit 9 should be set before this action). The UARTOE signal switches the output multiplexer to the UART output and a start bit is sent (a 0 for one bit time) followed by the 8 data values (lsb first) and the value of the Bit9 bit. The output is then set to 1 for a period of one bit time to generate a Stop bit, and then the UARTOE signal returns the TXD1 line to its alternate I/O function. The end of transmission is flagged by setting TXMT to 1 and an interrupt is generated if enabled. The TXMT flag is reset by writing a 0 to the bit position, it is also cleared automatically when a new character is written to the Data Register. TXMT can be set to 1 by software to generate a software interrupt so care must be taken in manipulating the Control Register.

Figure 33. Character Format



4.5.4 DATA RECEPTION

The UART continuously looks for a falling edge on the input pin whenever a transmission is not active. Once an edge is detected it waits 1 bit time (8 states) to accommodate the Start bit, and then assembles the following serial data stream into the data register. The data in the ninth bit position is copied into Bit 9, replacing any previous value set for transmission. After all 9 bits have been received, the Receiver waits for the duration of one bit (for the Stop bit) and then transfers the received data into the buffer register, allowing a following character to be received. The interrupt flag RXRDY is set to 1 as the data is transferred to the buffer register and, if enabled, will generate an interrupt.

If a transmission is started during the course of a reception, the transmission takes priority and the reception is stopped to free the resources for the transmission. This implies that a handshaking system must be implemented, as polling of the UART to detect reception is not available.

Figure 34. .UART Data Output

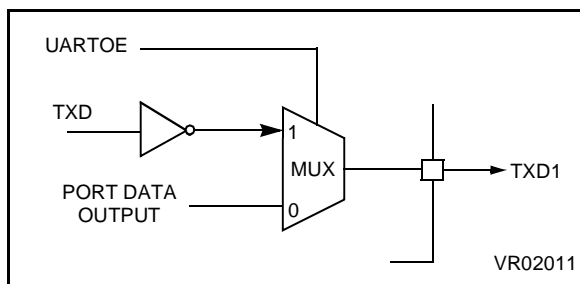


Table 18. . Baudrate Selection

BR2	BR2	BR0	f _{INT} Division	Baud Rate	
				f _{INT} = 8MHz	f _{INT} = 4MHz
0	0	0	6.656	1200	600
0	0	1	3.328	2400	1200
0	1	0	1.664	4800	2400
0	1	1	832	9600	4800
1	0	0	416	19200	9600
1	0	1	256	31200	15600
1	1	0	208	38400	19200
1	1	1	Reserved		

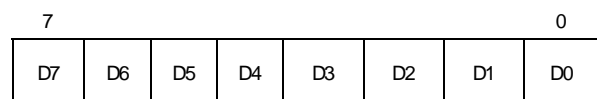
4.5.5 INTERRUPT CAPABILITIES

Both reception and transmission processes can induce interrupt to the core as defined in the interrupt section. These interrupts are enabled by setting TXIEN and RXIEN bit in the UARTCR register, and TXMT and RXRDY flags are set accordingly to the interrupt source.

4.5.6 REGISTERS

UART Data Register (UARTDR)

Address: D6h, Read/Write



Bit7-Bit0. *UART data bits*. A write to this register loads the data into the transmit shift register and triggers the start of transmission. In addition this resets the transmit interrupt flag TXMT. A read of this register returns the data from the Receive buffer.

Warning. No Read/Write Instructions may be used with this register as both transmit and receive share the same address

REGISTERS (Cont'd)

UART Control Register (UARTCR)

Address: D7h, Read/Write

7							0
RXRDY	TXMT	RXIEN	TXIEN	BR2	BR1	BR0	DAT9

Bit 7 = **RXRDY**. *Receiver Ready*. This flag becomes active as soon as a complete byte has been received and copied into the receive buffer. It may be cleared by writing a zero to it. Writing a one is possible. If the interrupt enable bit RXIEN is set to one, a software interrupt will be generated.

Bit 6 = **TXMT**. *Transmitter Empty*. This flag becomes active as soon as a complete byte has been sent. It may be cleared by writing a zero to it. It is automatically cleared by the action of writing a data value into the UART data register.

Bit 5 = **RXIEN**. *Receive Interrupt Enable*. When this bit is set to 1, the receive interrupt is enabled.

Writing to RXIEN does not affect the status of the interrupt flag RXRDY.

Bit 4 = **TXIEN**. *Transmit Interrupt Enable*. When this bit is set to 1, the transmit interrupt is enabled. Writing to TXIEN does not affect the status of the interrupt flag TXRDY.

Bit 3-1= **BR2..BR0**. *Baudrate select*. These bits select the operating baud rate of the UART, depending on the frequency of fOSC. Care should be taken not to change these bits during communication as writing to these bits has an immediate effect.

Bit 0 = **DAT9**. *Parity/Data Bit 9*. This bit represents the 9th bit of the data character that is received or transmitted. A write to this bit sets the level for the bit 9 to be transmitted, so it must always be set to the correct level before transmission. If used as parity, the value has first to be calculated by software. Reading this bit will return the 9th bit of the received character.

4.6 SERIAL PERIPHERAL INTERFACE (SPI)

The on-chip SPI is an optimized serial synchronous interface that supports a wide range of industry standard SPI specifications. The on-chip SPI is controlled by small and simple user software to perform serial data exchange. The serial shift clock can be implemented either by software (using the bit-set and bit-reset instructions), with the on-chip Timer 1 by externally connecting the SPI clock pin to the timer pin or by directly applying an external clock to the Scl line.

The peripheral is composed by an 8-bit Data/shift Register and a 4-bit binary counter while the Sin pin is the serial shift input and Sout is the serial shift output. These two lines can be tied together to implement two wires protocols (I²C-bus, etc). When data is serialized, the MSB is the first bit. Sin has to be programmed as input. For serial out-

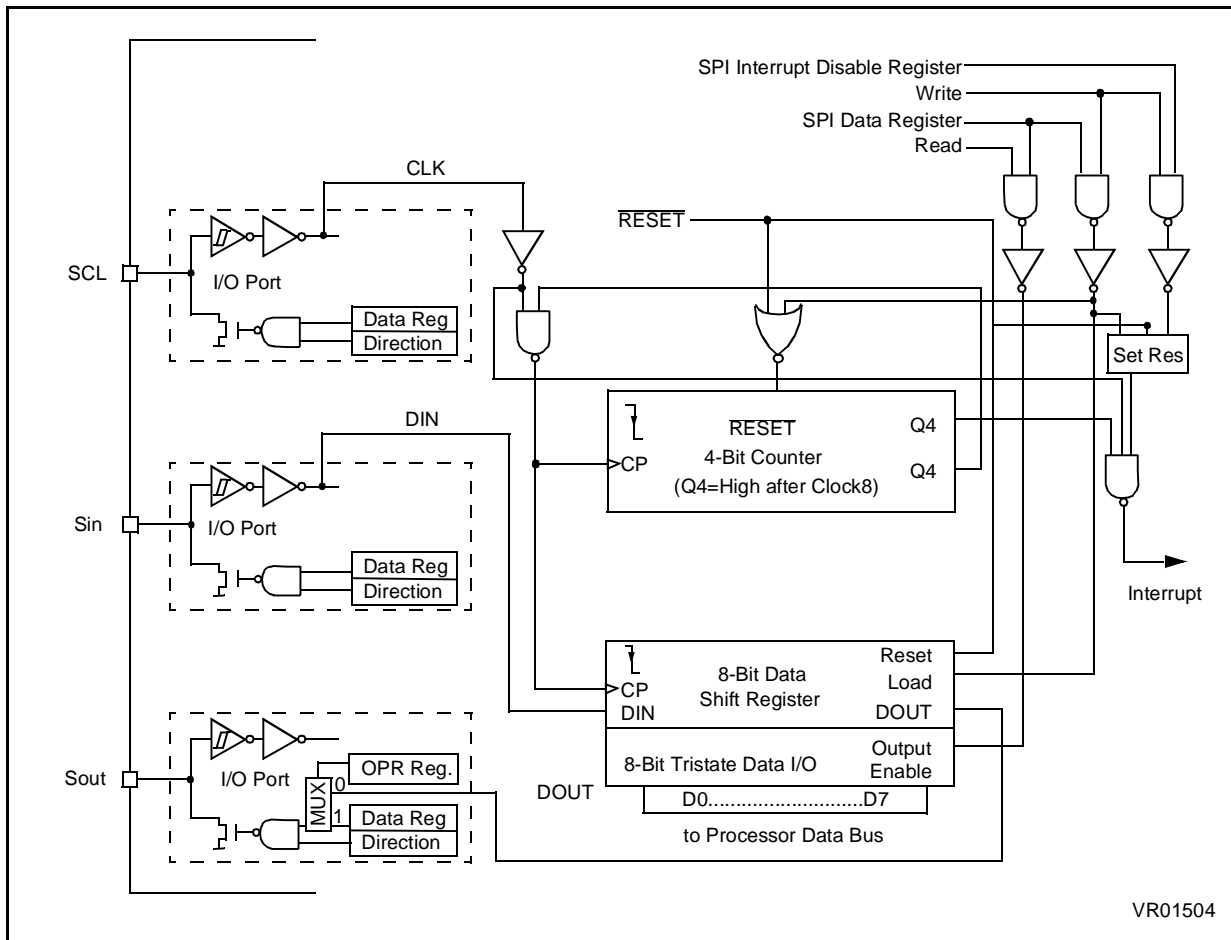
put operation Sout has to be programmed as open-drain output.

The SCL, Sin and Sout SPI clock and data signals are connected to 3 I/O lines on the same external pins. With these 3 lines, the SPI can operate in the following operating modes: Software SPI, S-BUS, I²C-bus and as a standard serial I/O (clock, data, enable). An interrupt request can be generated after eight clock pulses. Figure 35. shows the SPI block diagram.

The SCL line clocks, on the falling edge, the shift register and the counter. To allow SPI operation in slave mode, the SCL pin must be programmed as input and an external clock must be supplied to this pin to drive the SPI peripheral.

In master mode, SCL is programmed as output, a clock signal must be generated by software to set and reset the port line.

Figure 35. SPI Block Diagram



VR01504

SERIAL PERIPHERAL INTERFACE (Cont'd)

After 8 clock pulses (D7..D0) the output Q4 of the 4-bit binary counter becomes low, disabling the clock from the counter and the data/shift register. Q4 enables the clock to generate an interrupt on the 8th clock falling edge as long as no reset of the counter (processor write into the 8-bit data/shift register) takes place. After a processor reset the interrupt is disabled. The interrupt is active when writing data in the shift register and deactivated when writing any data in the SPI Interrupt Disable register.

The generation of an interrupt to the Core provides information that new data is available (input mode) or that transmission is completed (output mode), allowing the Core to generate an acknowledge on the 9th clock pulse (I²C-bus).

The interrupt is initiated by a high to low transition, and therefore interrupt options must be set accordingly as defined in the interrupt section.

After power on reset, or after writing the data/shift register, the counter is reset to zero and the clock is enabled. In this condition the data shift register is ready for reception. No start condition has to be detected. Through the user software the Core may pull down the Sin line (Acknowledge) and slow down the SCL, as long as it is needed to carry out data from the shift register.

I²C-bus Master-Slave, Receiver-Transmitter

When pins Sin and Sout are externally connected together it is possible to use the SPI as a receiver as well as a transmitter. Through software routine (by using bit-set and bit-reset on I/O line) a clock can be generated allowing I²C-bus to work in master mode.

When implementing an I²C-bus protocol, the start condition can be detected by setting the processor into a wait for start condition by enabling the interrupt of the I/O port used for the Sin line. This frees the processor from polling the Sin and SCL lines. After the transmission/reception the processor has to poll for the STOP condition.

In slave mode the user software can slow down the SCL clock frequency by simply putting the SCL I/O line in output open-drain mode and writing a zero into the corresponding data register bit.

As it is possible to directly read the Sin pin directly through the port register, the software can detect a difference between internal data and external data (master mode). Similar condition can be applied to the clock.

Three (Four) Wire Serial Bus

It is possible to use a single general purpose I/O pin (with the corresponding interrupt enabled) as a chip enable pin. SCL acts as active or passive clock pin, Sin as data in and Sout as data out (four wire bus). Sin and Sout can be connected together externally to implement three wire bus.

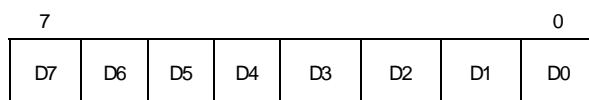
Note:

When the SPI is not used, the three I/O lines (Sin, SCL, Sout) can be used as normal I/O, with the following limitation: bit Sout cannot be used in open drain mode as this enables the shift register output to the port.

It is recommended, in order to avoid spurious interrupts from the SPI, to disable the SPI interrupt (the default state after reset) i.e. no write must be made to the 8-bit shift register. An explicit interrupt disable may be made in software by a dummy write to the SPI interrupt disable register.

SPI Data/Shift Register

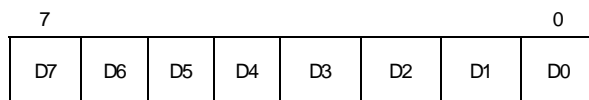
Address: DDh - Read/Write (SDSR)



A write into this register enables SPI Interrupt after 8 clock pulses.

SPI Interrupt Disable Register

Address: DCh - Read/Write (SIDR)



A dummy write to this register disables SPI Interrupt.



5 SOFTWARE

5.1 ST6 ARCHITECTURE

The ST6 software has been designed to fully use the hardware in the most efficient way possible while keeping byte usage to a minimum; in short, to provide byte efficient programming capability. The ST6 core has the ability to set or clear any register or RAM location bit of the Data space with a single instruction. Furthermore, the program may branch to a selected address depending on the status of any bit of the Data space. The carry bit is stored with the value of the bit when the SET or RES instruction is processed.

5.2 ADDRESSING MODES

The ST6 core offers nine addressing modes, which are described in the following paragraphs. Three different address spaces are available: Program space, Data space, and Stack space. Program space contains the instructions which are to be executed, plus the data for immediate mode instructions. Data space contains the Accumulator, the X,Y,V and W registers, peripheral and Input/Output registers, the RAM locations and Data ROM locations (for storage of tables and constants). Stack space contains six 12-bit RAM cells used to stack the return addresses for subroutines and interrupts.

Immediate. In the immediate addressing mode, the operand of the instruction follows the opcode location. As the operand is a ROM byte, the immediate addressing mode is used to access constants which do not change during program execution (e.g., a constant used to initialize a loop counter).

Direct. In the direct addressing mode, the address of the byte which is processed by the instruction is stored in the location which follows the opcode. Direct addressing allows the user to directly address the 256 bytes in Data Space memory with a single two-byte instruction.

Short Direct. The core can address the four RAM registers X,Y,V,W (locations 80h, 81h, 82h, 83h) in the short-direct addressing mode. In this case, the instruction is only one byte and the selection of the location to be processed is contained in the opcode. Short direct addressing is a subset of the direct addressing mode. (Note that 80h and 81h are also indirect registers).

Extended. In the extended addressing mode, the 12-bit address needed to define the instruction is obtained by concatenating the four less significant

bits of the opcode with the byte following the opcode. The instructions (JP, CALL) which use the extended addressing mode are able to branch to any address of the 4K bytes Program space.

An extended addressing mode instruction is two-byte long.

Program Counter Relative. The relative addressing mode is only used in conditional branch instructions. The instruction is used to perform a test and, if the condition is true, a branch with a span of -15 to +16 locations around the address of the relative instruction. If the condition is not true, the instruction which follows the relative instruction is executed. The relative addressing mode instruction is one-byte long. The opcode is obtained in adding the three most significant bits which characterize the kind of the test, one bit which determines whether the branch is a forward (when it is 0) or backward (when it is 1) branch and the four less significant bits which give the span of the branch (0h to Fh) which must be added or subtracted to the address of the relative instruction to obtain the address of the branch.

Bit Direct. In the bit direct addressing mode, the bit to be set or cleared is part of the opcode, and the byte following the opcode points to the address of the byte in which the specified bit must be set or cleared. Thus, any bit in the 256 locations of Data space memory can be set or cleared.

Bit Test & Branch. The bit test and branch addressing mode is a combination of direct addressing and relative addressing. The bit test and branch instruction is three-byte long. The bit identification and the tested condition are included in the opcode byte. The address of the byte to be tested follows immediately the opcode in the Program space. The third byte is the jump displacement, which is in the range of -127 to +128. This displacement can be determined using a label, which is converted by the assembler.

Indirect. In the indirect addressing mode, the byte processed by the register-indirect instruction is at the address pointed by the content of one of the indirect registers, X or Y (80h,81h). The indirect register is selected by the bit 4 of the opcode. A register indirect instruction is one byte long.

Inherent. In the inherent addressing mode, all the information necessary to execute the instruction is contained in the opcode. These instructions are one byte long.

5.3 INSTRUCTION SET

The ST6 core offers a set of 40 basic instructions which, when combined with nine addressing modes, yield 244 usable opcodes. They can be divided into six different types: load/store, arithmetic/logic, conditional branch, control instructions, jump/call, and bit manipulation. The following paragraphs describe the different types.

All the instructions belonging to a given type are presented in individual tables.

Load & Store. These instructions use one, two or three bytes in relation with the addressing mode. One operand is the Accumulator for LOAD and the other operand is obtained from data memory using one of the addressing modes.

For Load Immediate one operand can be any of the 256 data space bytes while the other is always immediate data.

Table 19. Load & Store Instructions

Instruction	Addressing Mode	Bytes	Cycles	Flags	
				Z	C
LD A, X	Short Direct	1	4	Δ	*
LD A, Y	Short Direct	1	4	Δ	*
LD A, V	Short Direct	1	4	Δ	*
LD A, W	Short Direct	1	4	Δ	*
LD X, A	Short Direct	1	4	Δ	*
LD Y, A	Short Direct	1	4	Δ	*
LD V, A	Short Direct	1	4	Δ	*
LD W, A	Short Direct	1	4	Δ	*
LD A, rr	Direct	2	4	Δ	*
LD rr, A	Direct	2	4	Δ	*
LD A, (X)	Indirect	1	4	Δ	*
LD A, (Y)	Indirect	1	4	Δ	*
LD (X), A	Indirect	1	4	Δ	*
LD (Y), A	Indirect	1	4	Δ	*
LDI A, #N	Immediate	2	4	Δ	*
LDI rr, #N	Immediate	3	4	*	*

Notes:

- X,Y. Indirect Register Pointers, V & W Short Direct Registers
- #. Immediate data (stored in ROM memory)
- rr. Data space register
- Δ. Affected
- *. Not Affected

INSTRUCTION SET (Cont'd)

Arithmetic and Logic. These instructions are used to perform the arithmetic calculations and logic operations. In AND, ADD, CP, SUB instructions one operand is always the accumulator while the other can be either a data space memory con-

tent or an immediate value in relation with the addressing mode. In CLR, DEC, INC instructions the operand can be any of the 256 data space addresses. In COM, RLC, SLA the operand is always the accumulator.

Table 20. Arithmetic & Logic Instructions

Instruction	Addressing Mode	Bytes	Cycles	Flags	
				Z	C
ADD A, (X)	Indirect	1	4	Δ	Δ
ADD A, (Y)	Indirect	1	4	Δ	Δ
ADD A, rr	Direct	2	4	Δ	Δ
ADDI A, #N	Immediate	2	4	Δ	Δ
AND A, (X)	Indirect	1	4	Δ	Δ
AND A, (Y)	Indirect	1	4	Δ	Δ
AND A, rr	Direct	2	4	Δ	Δ
ANDI A, #N	Immediate	2	4	Δ	Δ
CLR A	Short Direct	2	4	Δ	Δ
CLR r	Direct	3	4	*	*
COM A	Inherent	1	4	Δ	Δ
CP A, (X)	Indirect	1	4	Δ	Δ
CP A, (Y)	Indirect	1	4	Δ	Δ
CP A, rr	Direct	2	4	Δ	Δ
CPI A, #N	Immediate	2	4	Δ	Δ
DEC X	Short Direct	1	4	Δ	*
DEC Y	Short Direct	1	4	Δ	*
DEC V	Short Direct	1	4	Δ	*
DEC W	Short Direct	1	4	Δ	*
DEC A	Direct	2	4	Δ	*
DEC rr	Direct	2	4	Δ	*
DEC (X)	Indirect	1	4	Δ	*
DEC (Y)	Indirect	1	4	Δ	*
INC X	Short Direct	1	4	Δ	*
INC Y	Short Direct	1	4	Δ	*
INC V	Short Direct	1	4	Δ	*
INC W	Short Direct	1	4	Δ	*
INC A	Direct	2	4	Δ	*
INC rr	Direct	2	4	Δ	*
INC (X)	Indirect	1	4	Δ	*
INC (Y)	Indirect	1	4	Δ	*
RLC A	Inherent	1	4	Δ	Δ
SLA A	Inherent	2	4	Δ	Δ
SUB A, (X)	Indirect	1	4	Δ	Δ
SUB A, (Y)	Indirect	1	4	Δ	Δ
SUB A, rr	Direct	2	4	Δ	Δ
SUBI A, #N	Immediate	2	4	Δ	Δ

Notes:

X,Y. Indirect Register Pointers, V & W Short Direct Registers. D. Affected
 # . Immediate data (stored in ROM memory)* . Not Affected
 rr. Data space register

INSTRUCTION SET (Cont'd)

Conditional Branch. The branch instructions achieve a branch in the program when the selected condition is met.

Bit Manipulation Instructions. These instructions can handle any bit in data space memory. One group either sets or clears. The other group (see Conditional Branch) performs the bit test branch operations.

Control Instructions. The control instructions control the MCU operations during program execution.

Jump and Call. These two instructions are used to perform long (12-bit) jumps or subroutines call inside the whole program space.

Table 21. Conditional Branch Instructions

Instruction	Branch If	Bytes	Cycles	Flags	
				Z	C
JRC e	C = 1	1	2	*	*
JRNC e	C = 0	1	2	*	*
JRZ e	Z = 1	1	2	*	*
JRNZ e	Z = 0	1	2	*	*
JRR b, rr, ee	Bit = 0	3	5	*	Δ
JRS b, rr, ee	Bit = 1	3	5	*	Δ

Notes:

b. 3-bit address

e. 5 bit signed displacement in the range -15 to +16<F128M>

ee. 8 bit signed displacement in the range -126 to +129

rr. Data space register

Δ. Affected. The tested bit is shifted into carry.

*. Not Affected

Table 22. Bit Manipulation Instructions

Instruction	Addressing Mode	Bytes	Cycles	Flags	
				Z	C
SET b,rr	Bit Direct	2	4	*	*
RES b,rr	Bit Direct	2	4	*	*

Notes:

b. 3-bit address;

rr. Data space register;

*. Not<M> Affected

Table 23. Control Instructions

Instruction	Addressing Mode	Bytes	Cycles	Flags	
				Z	C
NOP	Inherent	1	2	*	*
RET	Inherent	1	2	*	*
RETI	Inherent	1	2	Δ	Δ
STOP (1)	Inherent	1	2	*	*
WAIT	Inherent	1	2	*	*

Notes:

1. This instruction is deactivated<N>and a WAIT is automatically executed instead of a STOP if the watchdog function is selected.

Δ. Affected

*. Not Affected

Table 24. Jump & Call Instructions

Instruction	Addressing Mode	Bytes	Cycles	Flags	
				Z	C
CALL abc	Extended	2	4	*	*
JP abc	Extended	2	4	*	*

Notes:

abc. 12-bit address;

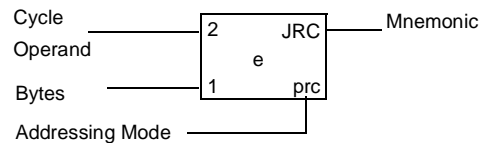
*. Not Affected

Opcode Map Summary. The following table contains an opcode map for the instructions used by the ST6

LOW HI	0 0000	1 0001	2 0010	3 0011	4 0100	5 0101	6 0110	7 0111	LOW HI
0 0000	2 JRNZ e 1 pcr	4 CALL abc 2 ext	2 JRNC e 1 pcr	5 JRR b0,rr,ee 3 bt	2 JRZ e 1 pcr	#	2 JRC e 1 prc	4 LD a,(x) 1 ind	0 0000
1 0001	2 JRNZ e 1 pcr	4 CALL abc 2 ext	2 JRNC e 1 pcr	5 JRS b0,rr,ee 3 bt	2 JRZ e 1 pcr	4 INC x 1 sd	2 JRC e 1 prc	4 LDI a,nn 2 imm	1 0001
2 0010	2 JRNZ e 1 pcr	4 CALL abc 2 ext	2 JRNC e 1 pcr	5 JRR b4,rr,ee 3 bt	2 JRZ e 1 pcr	#	2 JRC e 1 prc	4 CP a,(x) 1 ind	2 0010
3 0011	2 JRNZ e 1 pcr	4 CALL abc 2 ext	2 JRNC e 1 pcr	5 JRS b4,rr,ee 3 bt	2 JRZ e 1 pcr	4 LD a,x 1 sd	2 JRC e 1 prc	4 CPI a,nn 2 imm	3 0011
4 0100	2 JRNZ e 1 pcr	4 CALL abc 2 ext	2 JRNC e 1 pcr	5 JRR b2,rr,ee 3 bt	2 JRZ e 1 pcr	#	2 JRC e 1 prc	4 ADD a,(x) 1 ind	4 0100
5 0101	2 JRNZ e 1 pcr	4 CALL abc 2 ext	2 JRNC e 1 pcr	5 JRS b2,rr,ee 3 bt	2 JRZ e 1 pcr	4 INC y 1 sd	2 JRC e 1 prc	4 ADDI a,nn 2 imm	5 0101
6 0110	2 JRNZ e 1 pcr	4 CALL abc 2 ext	2 JRNC e 1 pcr	5 JRR b6,rr,ee 3 bt	2 JRZ e 1 pcr	#	2 JRC e 1 prc	4 INC (x) 1 ind	6 0110
7 0111	2 JRNZ e 1 pcr	4 CALL abc 2 ext	2 JRNC e 1 pcr	5 JRS b6,rr,ee 3 bt	2 JRZ e 1 pcr	4 LD a,y 1 sd	2 JRC e 1 prc	#	7 0111
8 1000	2 JRNZ e 1 pcr	4 CALL abc 2 ext	2 JRNC e 1 pcr	5 JRR b1,rr,ee 3 bt	2 JRZ e 1 pcr	#	2 JRC e 1 prc	4 LD (x),a 1 ind	8 1000
9 1001	2 RNZ e 1 pcr	4 CALL abc 2 ext	2 JRNC e 1 pcr	5 JRS b1,rr,ee 3 bt	2 JRZ e 1 pcr	4 INC v 1 sd	2 JRC e 1 prc	#	9 1001
A 1010	2 JRNZ e 1 pcr	4 CALL abc 2 ext	2 JRNC e 1 pcr	5 JRR b5,rr,ee 3 bt	2 JRZ e 1 pcr	#	2 JRC e 1 prc	4 AND a,(x) 1 ind	A 1010
B 1011	2 JRNZ e 1 pcr	4 CALL abc 2 ext	2 JRNC e 1 pcr	5 JRS b5,rr,ee 3 bt	2 JRZ e 1 pcr	4 LD a,v 1 sd	2 JRC e 1 prc	4 ANDI a,nn 2 imm	B 1011
C 1100	2 JRNZ e 1 pcr	4 CALL abc 2 ext	2 JRNC e 1 pcr	5 JRR b3,rr,ee 3 bt	2 JRZ e 1 pcr	#	2 JRC e 1 prc	4 SUB a,(x) 1 ind	C 1100
D 1101	2 JRNZ e 1 pcr	4 CALL abc 2 ext	2 JRNC e 1 pcr	5 JRS b3,rr,ee 3 bt	2 JRZ e 1 pcr	4 INC w 1 sd	2 JRC e 1 prc	4 SUBI a,nn 2 imm	D 1101
E 1110	2 JRNZ e 1 pcr	4 CALL abc 2 ext	2 JRNC e 1 pcr	5 JRR b7,rr,ee 3 bt	2 JRZ e 1 pcr	#	2 JRC e 1 prc	4 DEC (x) 1 ind	E 1110
F 1111	2 JRNZ e 1 pcr	4 CALL abc 2 ext	2 JRNC e 1 pcr	5 JRS b7,rr,ee 3 bt	2 JRZ e 1 pcr	4 LD a,w 1 sd	2 JRC e 1 prc	#	F 1111

Abbreviations for Addressing Modes: Legend:

- dir Direct
- sd Short Direct
- imm Immediate
- inh Inherent
- ext Extended
- b.d Bit Direct
- bt Bit Test
- pcr Program Counter Relative
- ind Indirect
- # Indicates Illegal Instructions
- e 5 Bit Displacement
- b 3 Bit Address
- rr 1byte dataspace address
- nn 1 byte immediate data
- abc 12 bit address
- ee 8 bit Displacement

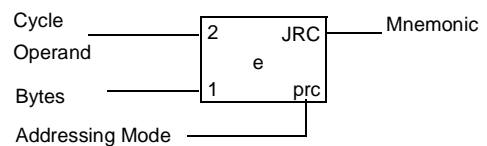


Opcode Map Summary (Continued)

LOW HI	8 1000	9 1001	A 1010	B 1011	C 1100	D 1101	E 1110	F 1111	LOW HI
0 0000	2 JRNZ e 1 pcr	4 JP abc 2 ext	2 JRNC e 1 pcr	4 RES b0,rr 2 b.d	2 JRZ e 1 pcr	4 LDI rr,nn 3 imm	2 JRC e 1 prc	4 LD a,(y) 1 ind	0 0000
1 0001	2 JRNZ e 1 pcr	4 JP abc 2 ext	2 JRNC e 1 pcr	4 SET b0,rr 2 b.d	2 JRZ e 1 pcr	4 DEC x 1 sd	2 JRC e 1 prc	4 LD a,rr 2 dir	1 0001
2 0010	2 JRNZ e 1 pcr	4 JP abc 2 ext	2 JRNC e 1 pcr	4 RES b4,rr 2 b.d	2 JRZ e 1 pcr	4 COM a 1	2 JRC e 1 prc	4 CP a,(y) 1 ind	2 0010
3 0011	2 JRNZ e 1 pcr	4 JP abc 2 ext	2 JRNC e 1 pcr	4 SET b4,rr 2 b.d	2 JRZ e 1 pcr	4 LD x,a 1 sd	2 JRC e 1 prc	4 CP a,rr 2 dir	3 0011
4 0100	2 JRNZ e 1 pcr	4 JP abc 2 ext	2 JRNC e 1 pcr	4 RES b2,rr 2 b.d	2 JRZ e 1 pcr	2 RETI inh 1	2 JRC e 1 prc	4 ADD a,(y) 1 ind	4 0100
5 0101	2 JRNZ e 1 pcr	4 JP abc 2 ext	2 JRNC e 1 pcr	4 SET b2,rr 2 b.d	2 JRZ e 1 pcr	4 DEC y 1 sd	2 JRC e 1 prc	4 ADD a,rr 2 dir	5 0101
6 0110	2 JRNZ e 1 pcr	4 JP abc 2 ext	2 JRNC e 1 pcr	4 RES b6,rr 2 b.d	2 JRZ e 1 pcr	2 STOP inh 1	2 JRC e 1 prc	4 INC (y) 1 ind	6 0110
7 0111	2 JRNZ e 1 pcr	4 JP abc 2 ext	2 JRNC e 1 pcr	4 SET b6,rr 2 b.d	2 JRZ e 1 pcr	4 LD y,a 1 sd	2 JRC e 1 prc	4 INC rr 2 dir	7 0111
8 1000	2 JRNZ e 1 pcr	4 JP abc 2 ext	2 JRNC e 1 pcr	4 RES b1,rr 2 b.d	2 JRZ e 1 pcr	#	2 JRC e 1 prc	4 LD (y),a 1 ind	8 1000
9 1001	2 RNZ e 1 pcr	4 JP abc 2 ext	2 JRNC e 1 pcr	4 SET b1,rr 2 b.d	2 JRZ e 1 pcr	4 DEC v 1 sd	2 JRC e 1 prc	4 LD rr,a 2 dir	9 1001
A 1010	2 JRNZ e 1 pcr	4 JP abc 2 ext	2 JRNC e 1 pcr	4 RES b5,rr 2 b.d	2 JRZ e 1 pcr	4 RCL a 1 inh	2 JRC e 1 prc	4 AND a,(y) 1 ind	A 1010
B 1011	2 JRNZ e 1 pcr	4 JP abc 2 ext	2 JRNC e 1 pcr	4 SET b5,rr 2 b.d	2 JRZ e 1 pcr	4 LD v,a 1 sd	2 JRC e 1 prc	4 AND a,rr 2 dir	B 1011
C 1100	2 JRNZ e 1 pcr	4 JP abc 2 ext	2 JRNC e 1 pcr	4 RES b3,rr 2 b.d	2 JRZ e 1 pcr	2 RET inh 1	2 JRC e 1 prc	4 SUB a,(y) 1 ind	C 1100
D 1101	2 JRNZ e 1 pcr	4 JP abc 2 ext	2 JRNC e 1 pcr	4 SET b3,rr 2 b.d	2 JRZ e 1 pcr	4 DEC w 1 sd	2 JRC e 1 prc	4 SUB a,rr 2 dir	D 1101
E 1110	2 JRNZ e 1 pcr	4 JP abc 2 ext	2 JRNC e 1 pcr	4 RES b7,rr 2 b.d	2 JRZ e 1 pcr	2 WAIT inh 1	2 JRC e 1 prc	4 DEC (y) 1 ind	E 1110
F 1111	2 JRNZ e 1 pcr	4 JP abc 2 ext	2 JRNC e 1 pcr	4 SET b7,rr 2 b.d	2 JRZ e 1 pcr	4 LD w,a 1 sd	2 JRC e 1 prc	4 DEC rr 2 dir	F 1111

Abbreviations for Addressing Modes: Legend:

- dir Direct
- sd Short Direct
- imm Immediate
- inh Inherent
- ext Extended
- b.d Bit Direct
- bt Bit Test
- pcr Program Counter Relative
- ind Indirect
- # Indicates Illegal Instructions
- e 5 Bit Displacement
- b 3 Bit Address
- rr 1byte dataspace address
- nn 1 byte immediate data
- abc 12 bit address
- ee 8 bit Displacement



6 ELECTRICAL CHARACTERISTICS

6.1 ABSOLUTE MAXIMUM RATINGS

This product contains devices to protect the inputs against damage due to high static voltages, however it is advisable to take normal precaution to avoid application of any voltage higher than the specified maximum rated voltages.

For proper operation it is recommended that V_I and V_O be higher than V_{SS} and lower than V_{DD} . Reliability is enhanced if unused inputs are connected to an appropriate logic voltage level (V_{DD} or V_{SS}).

Power Considerations. The average chip-junction temperature, T_j , in Celsius can be obtained from:

$$T_j = T_A + P_D \times R_{thJA}$$

Where: T_A = Ambient Temperature.

R_{thJA} = Package thermal resistance (junction-to ambient).

P_D = P_{int} + P_{port} .

P_{int} = $I_{DD} \times V_{DD}$ (chip internal power).

P_{port} = Port power dissipation (determined by the user).

Symbol	Parameter	Value	Unit
V_{DD}	Supply Voltage	-0.3 to 7.0	V
V_I	Input Voltage	$V_{SS} - 0.3$ to $V_{DD} + 0.3^{(1)}$	V
V_O	Output Voltage	$V_{SS} - 0.3$ to $V_{DD} + 0.3^{(1)}$	V
I_O	Current Drain per Pin Excluding V_{DD} , V_{SS}	± 10	mA
$I_{V_{DD}}$	Total Current into V_{DD} (source)	50	mA
$I_{V_{SS}}$	Total Current out of V_{SS} (sink)	50	mA
T_j	Junction Temperature	150	°C
T_{STG}	Storage Temperature	-60 to 150	°C

Notes:

- Stresses above those listed as "absolute maximum ratings" may cause permanent damage to the device. This is a stress rating only and functional operation of the device at these conditions is not implied. Exposure to maximum rating conditions for extended periods may affect device reliability.
- (1) Within these limits, clamping diodes are guaranteed to be not conductive. Voltages outside these limits are authorised as long as injection current is kept within the specification.

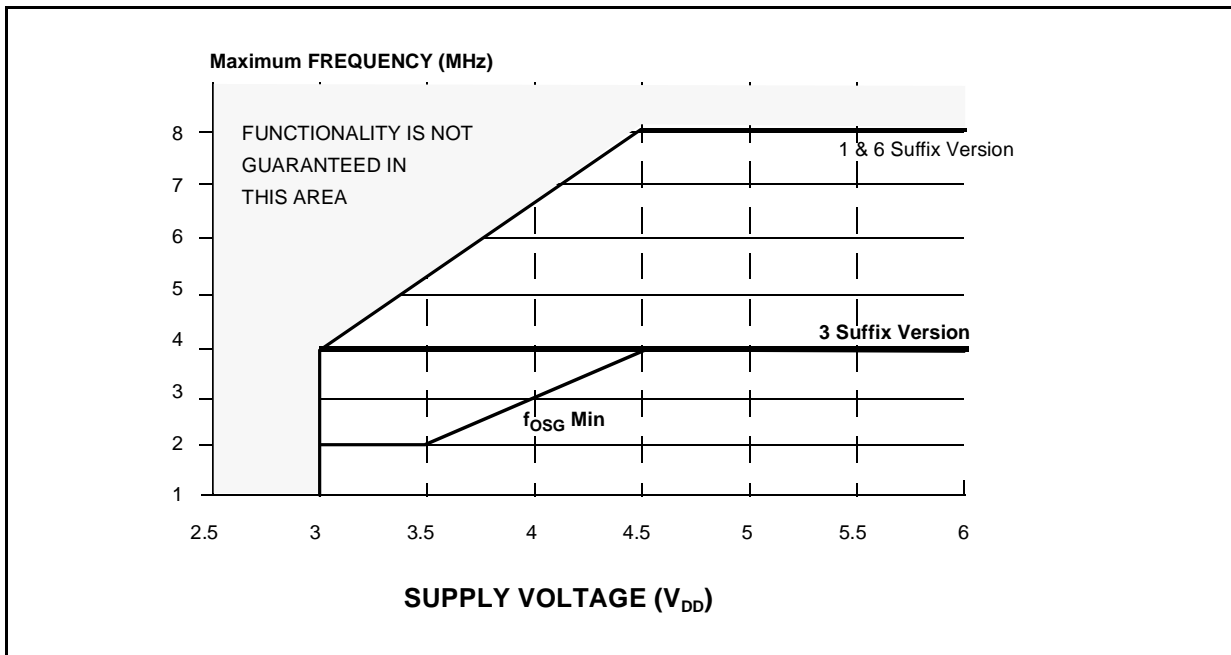
6.2 RECOMMENDED OPERATING CONDITIONS

Symbol	Parameter	Test Conditions	Value			Unit
			Min.	Typ.	Max.	
T _A	Operating Temperature	6 Suffix Version 1 Suffix Version 3 Suffix Version	-40 0 -40		85 70 125	°C
V _{DD}	Operating Supply Voltage	f _{OSC} = 2MHz f _{OSC} = 8MHz	3.0 4.5		6.0 6.0	V
f _{OSC}	Oscillator Frequency ²⁾	V _{DD} = 3V V _{DD} = 4.5V, 1 & 6 Suffix V _{DD} = 4.5V, 3 Suffix	0 0 0		4.0 8.0 4.0	MHz
f _{OSG}	Internal Frequency with OSG enable ²⁾	V _{DD} = 3V V _{DD} = 4.5V	2 4		f _{OSC} f _{OSC}	MHz
I _{INJ+}	Pin Injection Current (positive)	V _{DD} = 4.5 to 5.5V			+5	mA
I _{INJ-}	Pin Injection Current (negative)	V _{DD} = 4.5 to 5.5V			-5	mA

Notes:

- Care must be taken in case of negative current injection, where adapted impedance must be respected on analog sources to not affect the A/D conversion. For a -1mA injection, a maximum 10 KΩ is recommended.
- An oscillator frequency above 1MHz is recommended for reliable A/D results.

Figure 36. Maximum Operating FREQUENCY (Fmax) Versus SUPPLY VOLTAGE (V_{DD})



The shaded area is outside the recommended operating range; device functionality is not guaranteed under these conditions.

6.3 DC ELECTRICAL CHARACTERISTICS

($T_A = -40$ to $+125^\circ\text{C}$ unless otherwise specified)

Symbol	Parameter	Test Conditions	Value			Unit
			Min.	Typ.	Max.	
V_{IL}	Input Low Level Voltage All Input pins				$V_{DD} \times 0.3$	V
V_{IH}	Input High Level Voltage All Input pins		$V_{DD} \times 0.7$			V
V_{Hys}	Hysteresis Voltage ⁽¹⁾ All Input pins	$V_{DD}= 5V$ $V_{DD}= 3V$	0.2 0.2			V
V_{OL}	Low Level Output Voltage All Output pins	$V_{DD}= 5.0V; I_{OL} = +10\mu A$ $V_{DD}= 5.0V; I_{OL} = + 3mA$			0.1 0.8	V
	Low Level Output Voltage 20 mA Sink I/O pins	$V_{DD}= 5.0V; I_{OL} = +10\mu A$ $V_{DD}= 5.0V; I_{OL} = +7mA$ $V_{DD}= 5.0V; I_{OL} = +15mA$			0.1 0.8 1.3	
V_{OH}	High Level Output Voltage All Output pins	$V_{DD}= 5.0V; I_{OL} = -10\mu A$ $V_{DD}= 5.0V; I_{OL} = -3.0mA$	4.9 3.5			V
R_{PU}	Pull-up Resistance	All Input pins	40	100	200	K Ω
		RESET pin	150	350	900	
I_{IL} I_{IH}	Input Leakage Current All Input pins but RESET	$V_{IN} = V_{SS}$ (No Pull-Up configured) $V_{IN} = V_{DD}$		0.1	1.0	μA
	Input Leakage Current RESET pin	$V_{IN} = V_{SS}$ $V_{IN} = V_{DD}$	-8	-16	-30 10	
I_{DD}	Supply Current in RESET Mode	$V_{RESET}=V_{SS}$ $f_{OSC}=8MHz$			7	mA
	Supply Current in RUN Mode ⁽²⁾	$V_{DD}=5.0V$ $f_{INT}=8MHz$, $T_A < 85^\circ C$			7	mA
	Supply Current in WAIT Mode ⁽³⁾	$V_{DD}=5.0V$ $f_{INT}=8MHz$, $T_A < 85^\circ C$			2	mA
	Supply Current in STOP Mode ⁽³⁾	$I_{LOAD}=0mA$ $V_{DD}=5.0V$			20	μA

Notes:

- (1) Hysteresis voltage between switching levels
(2) All peripherals running
(3) All peripherals in stand-by

DC ELECTRICAL CHARACTERISTICS (cont'd)

($T_A = -40$ to $+85^\circ\text{C}$ unless otherwise specified)

Symbol	Parameter	Test Conditions	Value			Unit
			Min.	Typ.	Max.	
V_{OL}	Low Level Output Voltage All Output pins	$V_{DD}= 5.0V; I_{OL} = +10\mu A$ $V_{DD}= 5.0V; I_{OL} = + 5mA$			0.1 0.8	V
	Low Level Output Voltage 20 mA Sink I/O pins	$V_{DD}= 5.0V; I_{OL} = +10\mu A$ $V_{DD}= 5.0V; I_{OL} = +10mA$ $V_{DD}= 5.0V; I_{OL} = +20mA$			0.1 0.8 1.3	
V_{OH}	High Level Output Voltage All Output pins	$V_{DD}= 5.0V; I_{OL} = -10\mu A$ $V_{DD}= 5.0V; I_{OL} = -5.0mA$	4.9 3.5			V
I_{DD}	Supply Current in STOP Mode ⁽³⁾	$I_{LOAD}=0mA$ $V_{DD}=5.0V$			10	μA

6.4 AC ELECTRICAL CHARACTERISTICS

(T_A = -40 to +125°C unless otherwise specified)

Symbol	Parameter	Test Conditions	Value			Unit
			Min.	Typ.	Max.	
t _{REC}	Supply Recovery Time ⁽¹⁾		100			ms
T _{WR}	Minimum Pulse Width (V _{DD} = 5V) RESET pin NMI pin		100 100			ns
T _{WEE}	EEPROM Write Time	T _A = 25°C T _A = 85°C T _A = 125°C		5 10 20	10 20 30	ms
Endurance	EEPROM WRITE/ERASE Cycle	Q _A L _{OT} Acceptance	300,000	1 million		cycles
Retention	EEPROM Data Retention	T _A = 55°C	10			years
C _{IN}	Input Capacitance	All Inputs Pins			10	pF
C _{OUT}	Output Capacitance	All Outputs Pins			10	pF

Notes:

1. Period for which V_{DD} has to be connected at 0V to allow internal Reset function at next power-up.

6.5 A/D CONVERTER CHARACTERISTICS

(T_A = -40 to +125°C unless otherwise specified)

Symbol	Parameter	Test Conditions	Value			Unit
			Min.	Typ.	Max.	
Res	Resolution			8		Bit
A _{TOT}	Total Accuracy ^{(1) (2)}	f _{OSC} > 1.2MHz f _{OSC} > 32kHz			±2 ±4	LSB
t _C	Conversion Time	f _{OSC} = 8MHz, T _A < 85°C f _{OSC} = 4MHz		70 140		µs
ZIR	Zero Input Reading	Conversion result when V _{IN} = V _{SS}	00			Hex
FSR	Full Scale Reading	Conversion result when V _{IN} = V _{DD}			FF	Hex
AD _I	Analog Input Current During Conversion	V _{DD} = 4.5V			1.0	µA
AC _{IN}	Analog Input Capacitance			2	5	pF

Notes:

- Noise at AV_{DD}, AV_{SS} < 10mV
- With oscillator frequencies less than 1MHz, the A/D Converter accuracy is decreased.

6.6 TIMER CHARACTERISTICS(T_A = -40 to +125°C unless otherwise specified)

Symbol	Parameter	Test Conditions	Value			Unit
			Min.	Typ.	Max.	
f _{IN}	Input Frequency on TIMER Pin					MHz
t _W	Pulse Width at TIMER Pin	V _{DD} = 3.0V V _{DD} >4.5V	1 125			μs ns

6.7 .SPI CHARACTERISTICS(T_A = -40 to +125°C unless otherwise specified)

Symbol	Parameter	Test Conditions	Value			Unit
			Min.	Typ.	Max.	
F _{CL}	Clock Frequency	Applied on Scl			1	MHz
t _{SU}	Set-up Time	Applied on Sin		50		ns
t _h	Hold Time	Applied on Sin		100		ns

6.8 ARTIMER16 ELECTRICAL CHARACTERISTICS(T_A = -40 to +125°C unless otherwise specified)

Symbol	Parameter	Test Conditions	Value			Unit
			Min	Typ	Max	
f _{IN}	Input Frequency on CP1, CP2 Pins					MHz
t _W	Pulse Width at CP1, CP2 Pins	V _{DD} = 3.0V V _{DD} >4.5V	1 125			μs ns

7 GENERAL INFORMATION

7.1 PACKAGE MECHANICAL DATA

Figure 37. 52-Pin Plastic Quad Flat Package

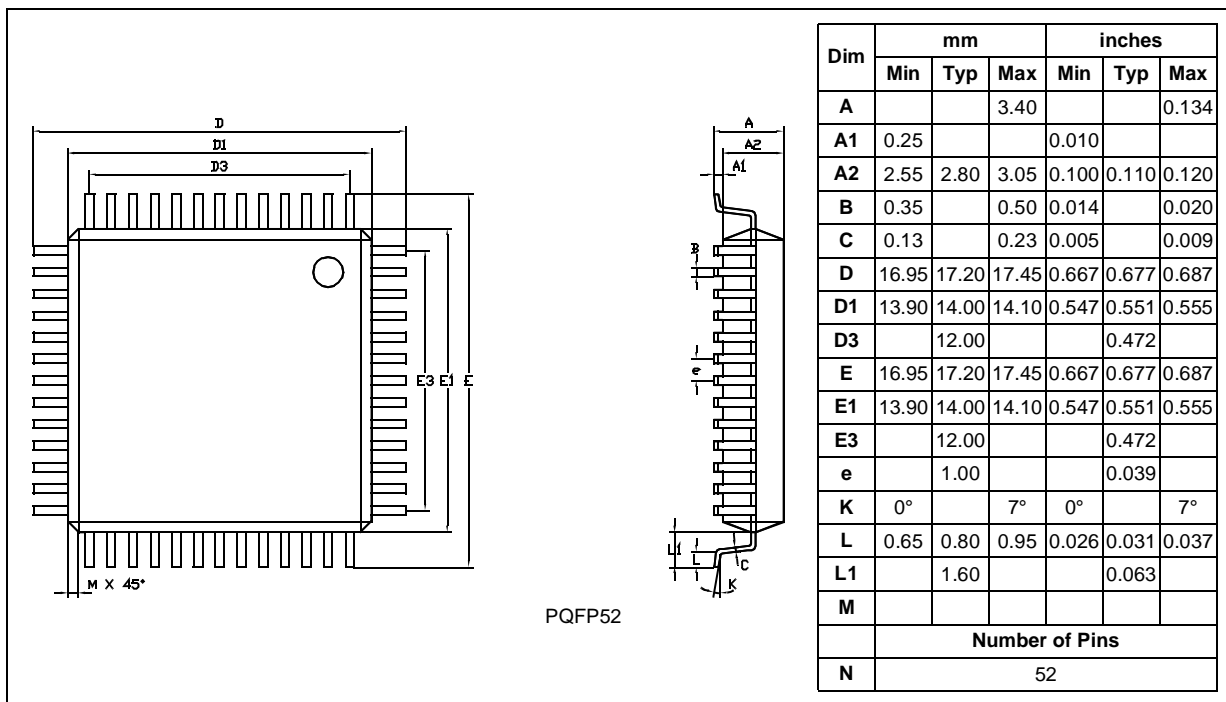
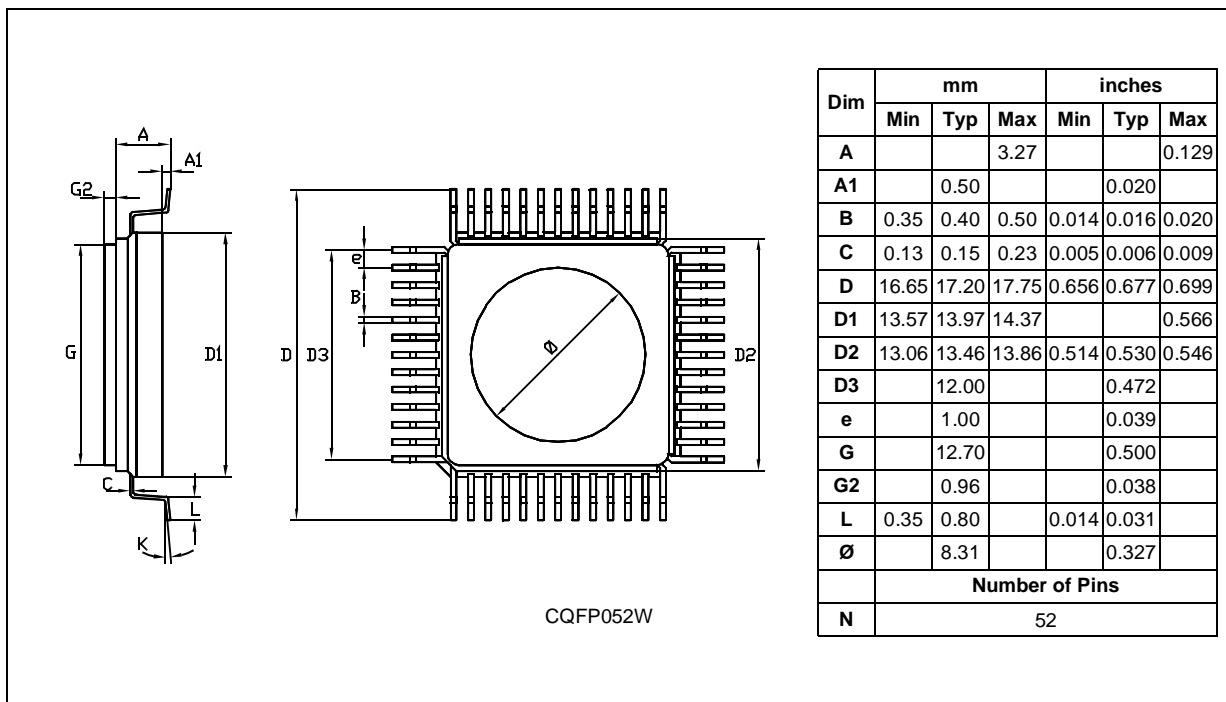


Figure 38. 52-Pin Ceramic Quad Flat Package with Window



THERMAL CHARACTERISTIC

Symbol	Parameter	Test Conditions	Value			Unit
			Min.	Typ.	Max.	
RthJA	Thermal Resistance	CQFP52W			70	°C/W
		QFP52			70	

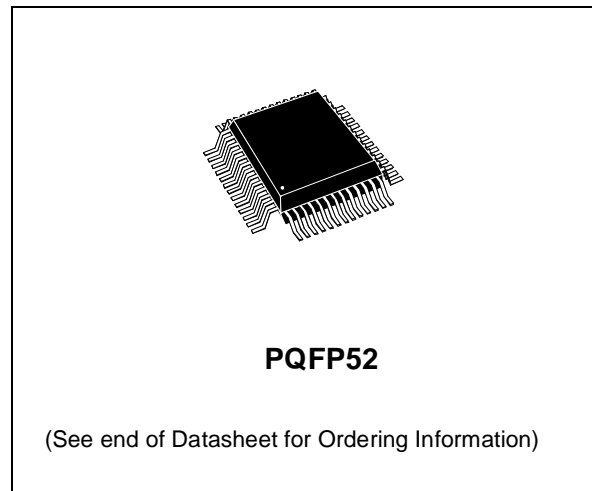
7.2 ORDERING INFORMATION**Table 25. OTP/EPROM VERSION ORDERING INFORMATION**

Sales Type	Program Memory (Bytes)	I/O	Temperature Range	Package
ST62E35BG1	7948 (EPROM)	36	0 to 70°C	CQFP52W
ST62T35BQ6	7948 (OTP)		-40 to 85°C	PQFP52
ST62T35BQ3			-40 to 125°C	

Notes

**8-BIT FASTROM MCUs WITH A/D CONVERTER,
16-BIT AUTO-RELOAD TIMER, EEPROM, SPI AND UART**

- 3.0 to 6.0V Supply Operating Range
- 8 MHz Maximum Clock Frequency
- -40 to +125°C Operating Temperature Range
- Run, Wait and Stop Modes
- 5 Interrupt Vectors
- Look-up Table capability in Program Memory
- Data Storage in Program Memory:
User selectable size
- Data RAM: 192 bytes
- Data EEPROM: 128 bytes
- 36 I/O pins, fully programmable as:
 - Input with pull-up resistor
 - Input without pull-up resistor
 - Input with interrupt generation
 - Open-drain or push-pull output
 - Analog Input
- 12 I/O lines can sink up to 20mA to drive LEDs or TRIACs directly
- 8-bit Timer/Counter with 7-bit programmable prescaler
- 16-bit Auto-reload Timer with 7-bit programmable prescaler (AR Timer)
- Digital Watchdog
- 8-bit A/D Converter with 24 analog inputs
- 8-bit Synchronous Peripheral Interface (SPI)
- 8-bit Asynchronous Peripheral Interface (UART)
- On-chip Clock oscillator can be driven by Quartz Crystal or Ceramic resonator
- Oscillator Safe Guard
- One external Non-Maskable Interrupt
- ST623x-EMU2 Emulation and Development System (connects to an MS-DOS PC via a parallel port).



DEVICE SUMMARY

DEVICE	ROM (Bytes)	I/O Pins
ST62P35B	7948	36

1 GENERAL DESCRIPTION

1.1 INTRODUCTION

The ST62P35B is the **F**actory **A**dvanced **S**ervice **T**echnique ROM (FASTROM) versions of ST62T35B OTP devices.

They offer the same functionality as OTP devices, selecting as FASTROM options the options defined in the programmable option byte of the OTP version.

1.2 ORDERING INFORMATION

The following section deals with the procedure for transfer of customer codes to SGS-THOMSON.

1.2.1 Transfer of Customer Code

Customer code is made up of the ROM contents and the list of the selected FASTROM options. The ROM contents are to be sent on diskette, or by electronic means, with the hexadecimal file generated by the development tool. All unused bytes must be set to FFh.

The selected options are communicated to SGS-THOMSON using the correctly filled OPTION LIST appended.

1.2.2 Listing Generation and Verification

When SGS-THOMSON receives the user's ROM contents, a computer listing is generated from it.

This listing refers exactly to the ROM contents and options which will be used to produce the specified MCU. The listing is then returned to the customer who must thoroughly check, complete, sign and return it to SGS-THOMSON. The signed listing forms a part of the contractual agreement for the production of the specific customer MCU.

The SGS-THOMSON Sales Organization will be pleased to provide detailed information on contractual points.

Table 1. ROM Memory Map for ST62P35B

ROM Page	Device Address	Description
Page 0	0000h-007Fh 0080h-07FFh	Reserved User ROM
Page 1 "STATIC"	0800h-0F9Fh 0FA0h-0FEFh 0FF0h-0FF7h 0FF8h-0FFBh 0FFCh-0FFDh 0FFEh-0FFFh	User ROM Reserved Interrupt Vectors Reserved NMI Vector Reset Vector
Page 2	0000h-000Fh 0010h-07FFh	Reserved User ROM
Page 3	0000h-000Fh 0010h-07FFh	Reserved User ROM

Table 2. ROM version Ordering Information

Sales Type	ROM	I/O	Temperature Range	Package
ST62P35BQ1/XXX ST62P35BQ6/XXX ST62P35BQ3/XXX (*)	7948	36	0 to +70°C -40 to 85°C -40 to 125°C	PQFP52

(*) Advanced information

ST62P35B FASTROM MICROCONTROLLER OPTION LIST

Customer
Address

Contact
Phone No
Reference

SGS-THOMSON Microelectronics references

Device: ST62P35B
Package: Plastic Quad Flat (Tape & Reel)
Temperature Range: 0°C to + 70°C - 40°C to + 85°C

Watchdog Selection: Software Activation
 Hardware Activation

Ports Pull-Up Selection: Yes No
NMI Pull-Up Selection: Yes No
Timer Pull-Up Selection: Yes No

External STOP Mode Control: Enabled
 Disabled

OSG: Enabled
 Disabled

Readout Protection: Standard
 Enabled

Comments :

Supply Operating Range in the application:

Oscillator Frequency in the application:

Notes

Signature

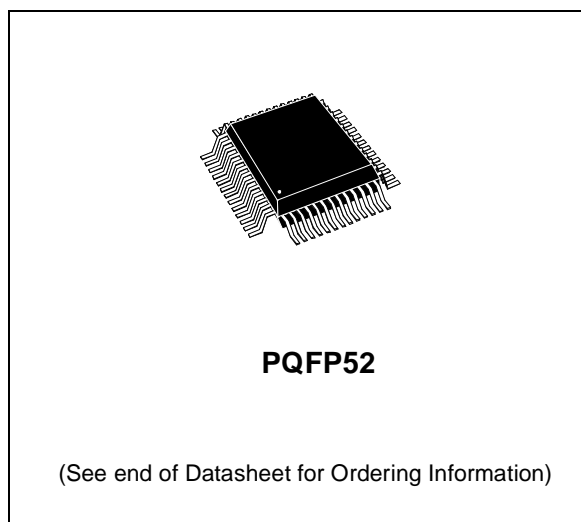
Date

Notes:

8-BIT ROM MCUs WITH A/D CONVERTER, 16-BIT AUTO-RELOAD TIMER, EEPROM, SPI AND UART

PRODUCT PREVIEW

- 3.0 to 6.0V Supply Operating Range
- 8 MHz Maximum Clock Frequency
- -40 to +125°C Operating Temperature Range
- Run, Wait and Stop Modes
- 5 Interrupt Vectors
- Look-up Table capability in Program Memory
- Data Storage in Program Memory:
User selectable size
- Data RAM: 192 bytes
- Data EEPROM: 128 bytes
- 36 I/O pins, fully programmable as:
 - Input with pull-up resistor
 - Input without pull-up resistor
 - Input with interrupt generation
 - Open-drain or push-pull output
 - Analog Input
- 12 I/O lines can sink up to 20mA to drive LEDs or TRIACs directly
- 8-bit Timer/Counter with 7-bit programmable prescaler
- 16-bit Auto-reload Timer with 7-bit programmable prescaler (AR Timer)
- Digital Watchdog
- 8-bit A/D Converter with 24 analog inputs
- 8-bit Synchronous Peripheral Interface (SPI)
- 8-bit Asynchronous Peripheral Interface (UART)
- On-chip Clock oscillator can be driven by Quartz Crystal or Ceramic resonator
- Oscillator Safe Guard
- One external Non-Maskable Interrupt
- ST623x-EMU2 Emulation and Development System (connects to an MS-DOS PC via a parallel port).



DEVICE SUMMARY

DEVICE	ROM (Bytes)	I/O Pins
ST6235B	7948	36

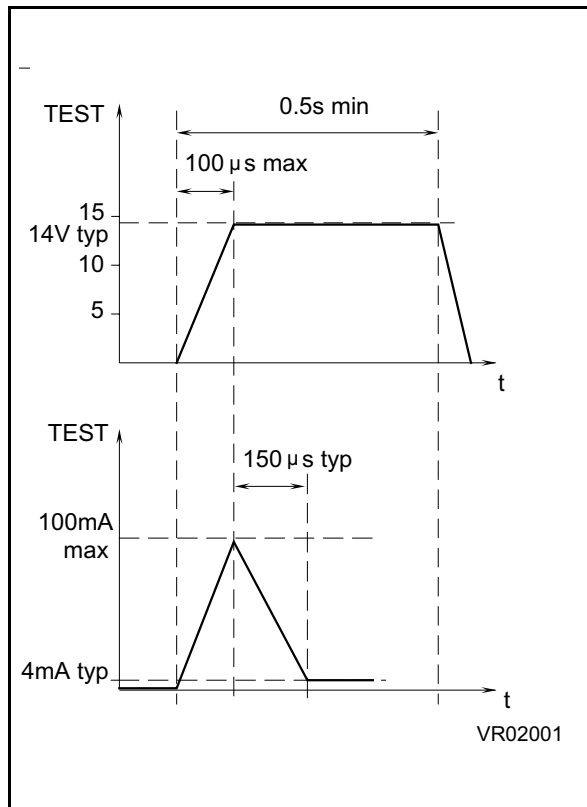
1 GENERAL DESCRIPTION

1.1 INTRODUCTION

The ST6235B is mask programmed ROM version of ST62T35B OTP devices.

They offer the same functionality as OTP devices, selecting as ROM options the options defined in the programmable option byte of the OTP version.

Figure 1. Programming wave form



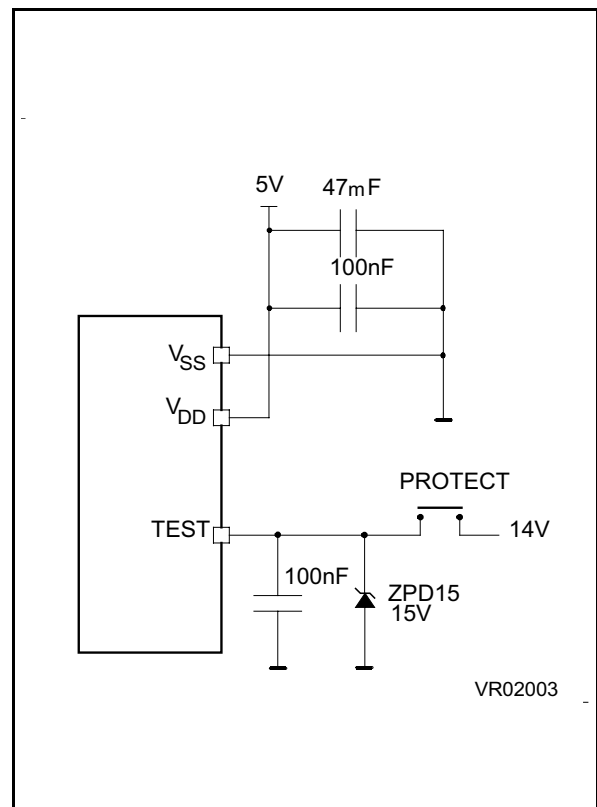
Note: ZPD15 is used for overvoltage protection

1.2 ROM READOUT PROTECTION

If the ROM READOUT PROTECTION option is selected, a protection fuse can be blown to prevent any access to the program memory content.

In case the user wants to blow this fuse, high voltage must be applied on the TEST pin.

Figure 2. Programming Circuit



ST6235B MICROCONTROLLER OPTION LIST

Customer
Address

Contact
Phone No
Reference

SGS-THOMSON Microelectronics references

Device: ST6235B
 Package: Plastic Quad Flat (Tape & Reel)
 Temperature Range: 0°C to + 70°C - 40°C to + 85°C
 Special Marking: No Yes "_____"
 Authorized characters are letters, digits, '.', '-', '/' and spaces only.
 Maximum character count: 10

Watchdog Selection: Software Activation
 Hardware Activation

Ports Pull-Up Selection: Yes No

NMI Pull-Up Selection: Yes No

Timer Pull-Up Selection: Yes No

External STOP Mode Control: Enabled
 Disabled

OSG: Enabled
 Disabled

ROM Readout Protection: Standard (Fuse cannot be blown)
 Enabled (Fuse can be blown by the customer)
 Note: No part is delivered with protected ROM.
 The fuse must be blown for protection to be effective.

Comments :

Supply Operating Range in the application:

Oscillator Frequency in the application:

Notes

Signature

Date

1.3 ORDERING INFORMATION

The following section deals with the procedure for transfer of customer codes to SGS-THOMSON.

1.3.1 Transfer of Customer Code

Customer code is made up of the ROM contents and the list of the selected mask options. The ROM contents are to be sent on diskette, or by electronic means, with the hexadecimal file generated by the development tool. All unused bytes must be set to FFh.

The selected mask options are communicated to SGS-THOMSON using the correctly filled OPTION LIST appended.

1.3.2 Listing Generation and Verification

When SGS-THOMSON receives the user's ROM contents, a computer listing is generated from it. This listing refers exactly to the mask which will be used to produce the specified MCU. The listing is then returned to the customer who must thoroughly check, complete, sign and return it to SGS-THOMSON. The signed listing forms a part of the contractual agreement for the creation of the specific customer mask.

The SGS-THOMSON Sales Organization will be pleased to provide detailed information on contractual points.

Table 1. ROM Memory Map for ST6235B

ROM Page	Device Address	Description
Page 0	0000h-007Fh 0080h-07FFh	Reserved User ROM
Page 1 "STATIC"	0800h-0F9Fh 0FA0h-0FEFh 0FF0h-0FF7h 0FF8h-0FFBh 0FFCh-0FFDh 0FFEh-0FFFh	User ROM Reserved Interrupt Vectors Reserved NMI Vector Reset Vector
Page 2	0000h-000Fh 0010h-07FFh	Reserved User ROM
Page 3	0000h-000Fh 0010h-07FFh	Reserved User ROM

Table 2. ROM version Ordering Information

Sales Type	ROM	I/O	Temperature Range	Package
ST6235BQ1/XXX ST6235BQ6/XXX ST6235BQ3/XXX	7948	36	0 to +70°C -40 to 85°C -40 to 125°C	PQFP52

Information furnished is believed to be accurate and reliable. However, SGS-THOMSON Microelectronics assumes no responsibility for the consequences of use of such information nor for any infringement of patents or other rights of third parties which may result from its use. No license is granted by implication or otherwise under any patent or patent rights of SGS-THOMSON Microelectronics. Specifications mentioned in this publication are subject to change without notice. This publication supersedes and replaces all information previously supplied. SGS-THOMSON Microelectronics products are not authorized for use as critical components in life support devices or systems without the express written approval of SGS-THOMSON Microelectronics.

©1998 SGS-THOMSON Microelectronics - All rights reserved.

Printed in France by Imprimerie AGL

Purchase of I²C Components by SGS-THOMSON Microelectronics conveys a license under the Philips I²C Patent. Rights to use these components in an I²C system is granted provided that the system conforms to the I²C Standard Specification as defined by Philips.

SGS-THOMSON Microelectronics Group of Companies

Australia - Brazil - Canada - China - France - Germany - Italy - Japan - Korea - Malaysia - Malta - Morocco - The Netherlands - Singapore - Spain - Sweden - Switzerland - Taiwan - Thailand - United Kingdom - U.S.A.

