



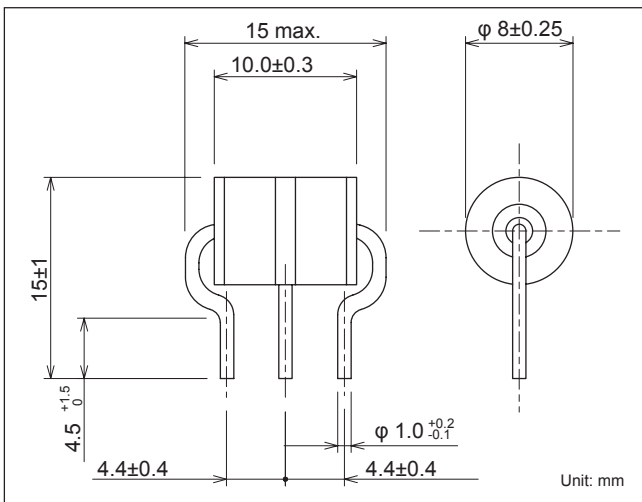
Features

- Quick response for surge.
- High impulse current capacity.
- It can withstand alternating current.
- Excellent insulation resistance and small capacitance.
- Recommendation of ITU-T conformity.

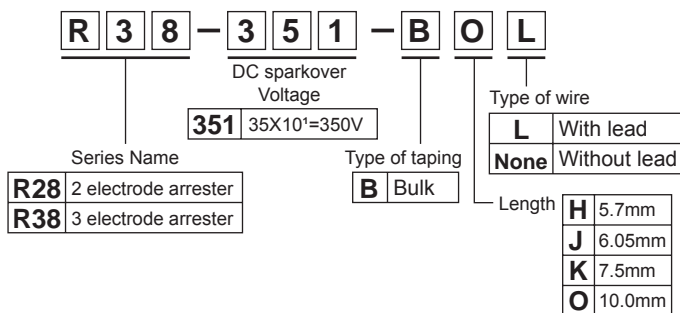
Applications

- Telephone, PBX, Wireless base station, Optical transmission equipments, CATV transmission equipments, Fire alarm systems and Home security systems. RoHS restriction complied.

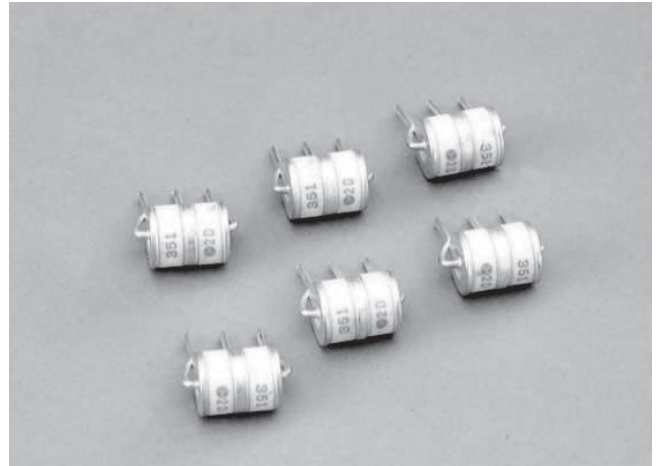
Dimensions



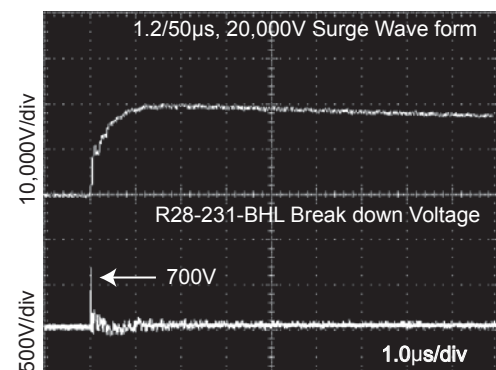
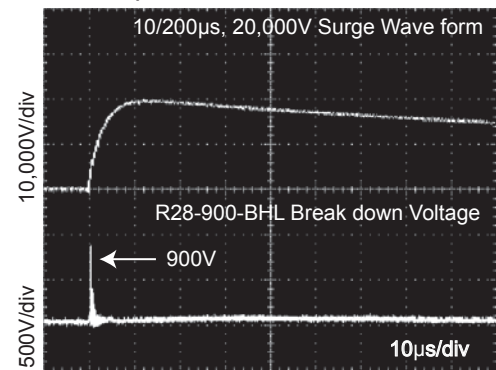
Model numbering system



Safety Standard	File No.
UL :UL497B	E139599



Impulse Absorption Characteristics



Electrical Specifications

(Conforms to ITU-T)

Safety Standard	Model Number	DC Sparkover Voltage 100V/s ~ 2,000V/s (V) ±20%	Impulse Sparkover Voltage 100V/µs (V)	Impulse Discharge Current 8/20µs (A)	Alternating Discharge Current 50Hz, 1s 10 times (A)	Impulse Life Test 10/1,000µs 100A (times)	Insulation Resistance min. (MΩ)	Capacitance max. (pF)
	R38-900-BOL	90	450	10,000	10	300	10 ⁴	1.5
	R38-231-BOL	230	600					
	R38-251-BOL	250						
	R38-351-BOL	350	750					
	R38-421-BOL	420	900					
	R38-601-BOL	600	1,300					