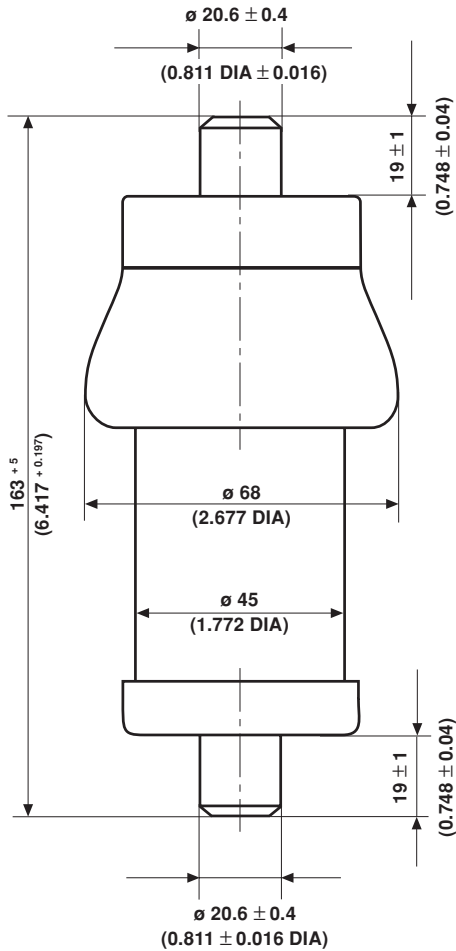
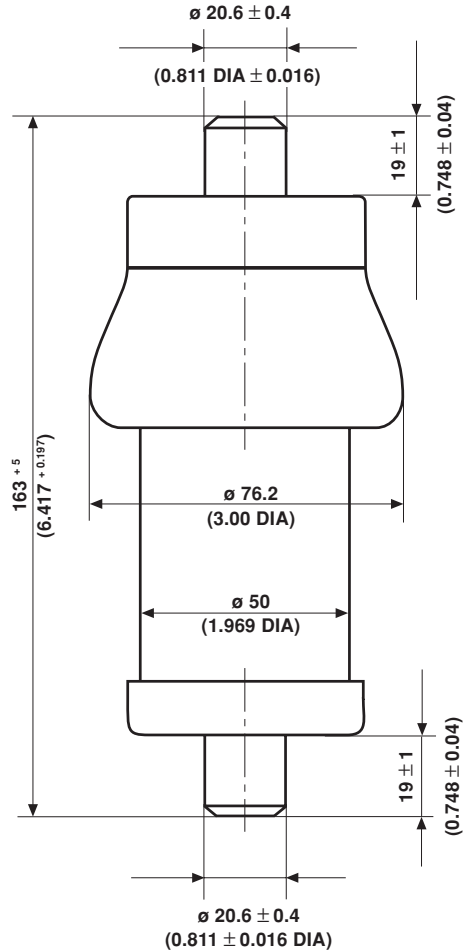


Pot Capacitors with R 16 High Q Ceramic

TDZ 045124 18KV_p



TDZ 050124 18KV_p



• Dimensions in millimeters (inches)

MODEL:

These capacitors feature a Q-Factor greater than 10,000 which makes them well suited in operating frequency range from 0.1MHz up to 30MHz where high voltages and currents are present.

Solid cylindrical brass terminals (20.6 mm/ 0.81” diameter) allow plug-in compatible fuse clip mounting for vacuum capacitor replacement.

MATERIAL:

Capacitor elements made from Class 1 "High Q" ceramic dielectric with noble metal electrodes. Connection terminals: Copper/brass, silver plated.

FINISH:

Noble metal electrodes completely lacquered. Insulating rim glazed.

MARKING:

Type designator, Capacitance value and tolerance, Rated voltage (peak value), Production date code, Ceramic material code, DRALORIC Logo

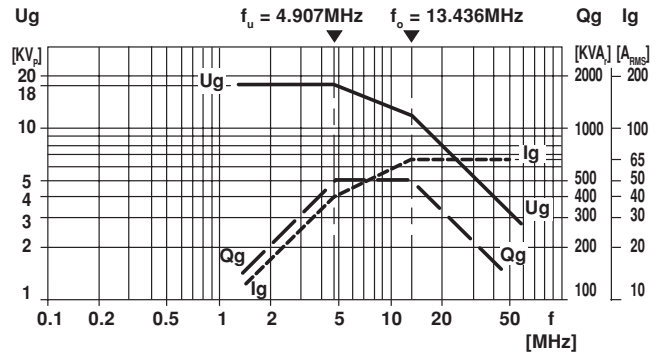
ORDERING INFORMATION

TDZ 050124	18KV _p	250pF	± 10%	R 16 High Q
MODEL	RATED VOLTAGE	CAPACITANCE VALUE	TOLERANCE	CERAMIC

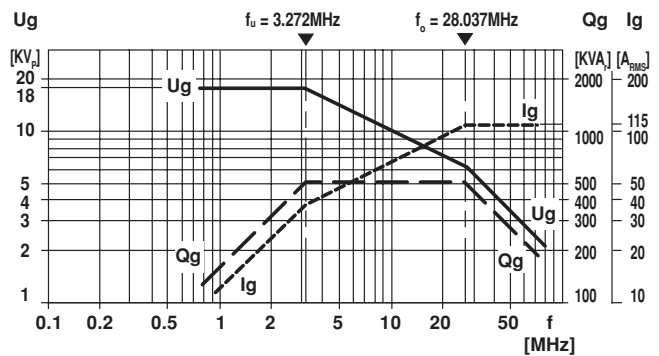


DERATING DIAGRAMS

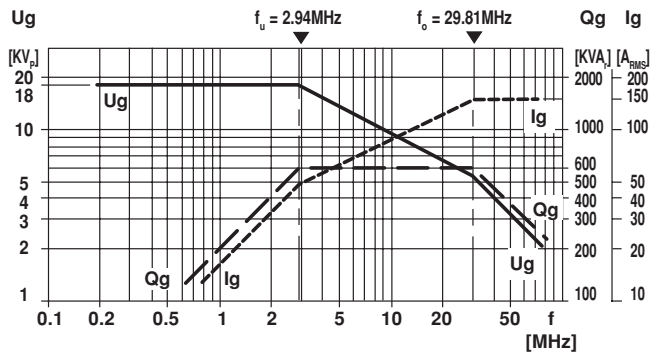
TDZ 045124					
CERAMIC	CAPACITANCE VALUE [pF]	RATED WORKING VOLTAGE [KV _p]	RATED TEST VOLTAGE [KV _p]	RATED POWER * [KVA _r]	RATED CURRENT [A _{RMS}]
R 16 High Q	100	18	32	up to 500	65



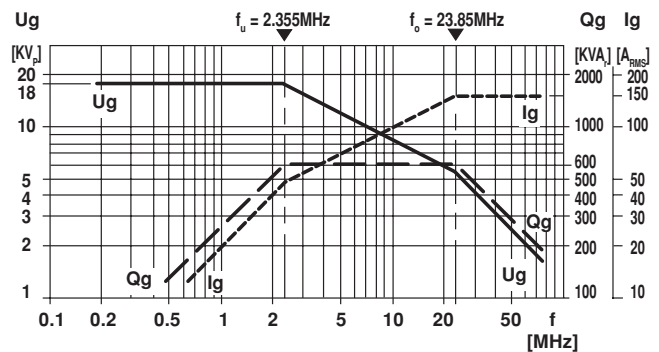
TDZ 045124					
CERAMIC	CAPACITANCE VALUE [pF]	RATED WORKING VOLTAGE [KV _p]	RATED TEST VOLTAGE [KV _p]	RATED POWER * [KVA _r]	RATED CURRENT [A _{RMS}]
R 16 High Q	150	18	36	up to 500	115



TDZ 050124					
CERAMIC	CAPACITANCE VALUE [pF]	RATED WORKING VOLTAGE [KV _p]	RATED TEST VOLTAGE [KV _p]	RATED POWER * [KVA _r]	RATED CURRENT [A _{RMS}]
R 16 High Q	200	18	36	up to 600	150



TDZ 050124					
CERAMIC	CAPACITANCE VALUE [pF]	RATED WORKING VOLTAGE [KV _p]	RATED TEST VOLTAGE [KV _p]	RATED POWER * [KVA _r]	RATED CURRENT [A _{RMS}]
R 16 High Q	250	18	36	up to 600	150



* The surface temperature of 100°C must not be exceeded.

CAPACITANCE TOLERANCE: ± 10%

Other capacitance values and tolerances are available on request.