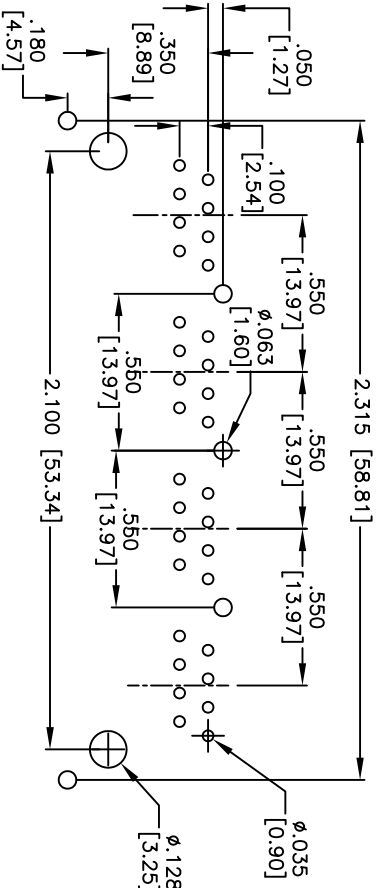
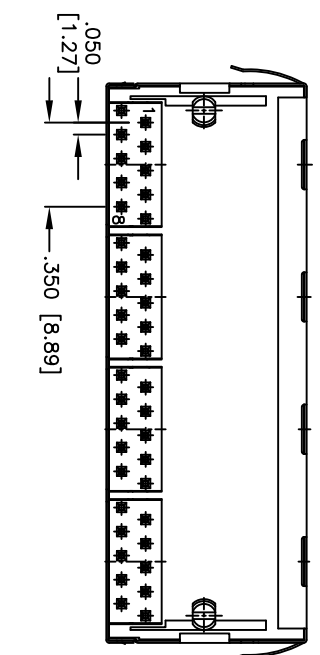
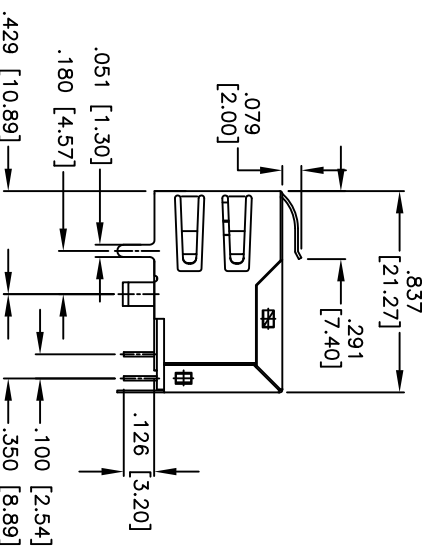
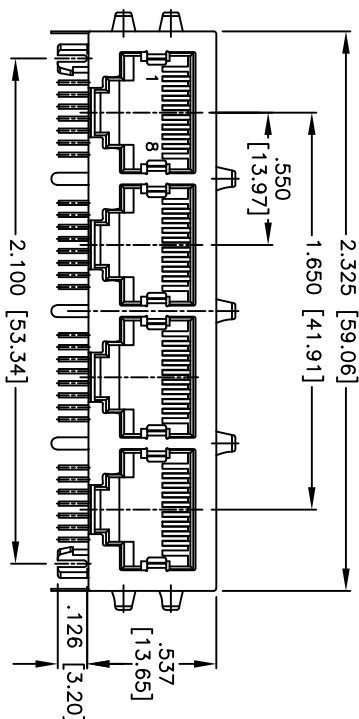


APPROVED: _____

TITLE: _____

Rev	AWO #	Description	Date	Appr
-		RELEASED	7/13/11	



SPECIFICATIONS:

Material: Insulator: PBT, rated UL 94V-0
 Insulator color: Black
 Contacts: Phosphor Bronze
 Shield: Copper Alloy, Nickel plated
 Plating:
 Gold over Nickel underplate on contact area,
 Tin over Copper underplate on PCB tails. (See Plating Chart)
 Electrical:
 Operating voltage: 125 VAC max
 Current rating: 1.5 Amps max
 Contact resistance: 30 mohms max
 Insulation resistance: 1000 Mohms min @ 500 VDC
 Dielectric withstanding voltage: 1000 VAC RMS 50HZ. 1MIN.
 Temperature Rating:
 Operating temperature: -40°C to +85°C
 Environmental: Lead free, RoHS compliant.
 Recommended soldering temp: 235°C for 5 sec.

X	PLATING
0	15 μ in Gold
1	30 μ in Gold
2	50 μ in Gold

ADAM TECH

909 Rahway Avenue, Union, NJ 07083
 Phone: 908-687-5000 Fax: 908-687-5710

MODULAR GANGED JACK, 4 PORT, 8P8C, RIGHT ANGLE SHIELDED

UNLESS OTHERWISE SPECIFIED ALL DIMENSIONS ARE MM [INCHES] TOLERANCES: EXCEPT AS NOTED INCHES		DRAWN		DATE
X	± .10	ØX	± .10	
XX	± .020	ØXXX	± .015	
XXX	± .015	ØXXXX	± .010	
APPROVALS				
CHECKED		DATE		
APPROVED		DATE		
TITLE		SIZE	PART NO.	REV.
MODULAR GANGED JACK, 4 PORT, 8P8C, RIGHT ANGLE SHIELDED		X	MTJG-488TX1-FSG-PG-SP	.
REF: S00167T		SCALE:	NTS	SHEET 1 OF 1

