

Rev	AWO #	Description	Date	Appr
-	10403	RELEASED	7/08/10	

6

5

4

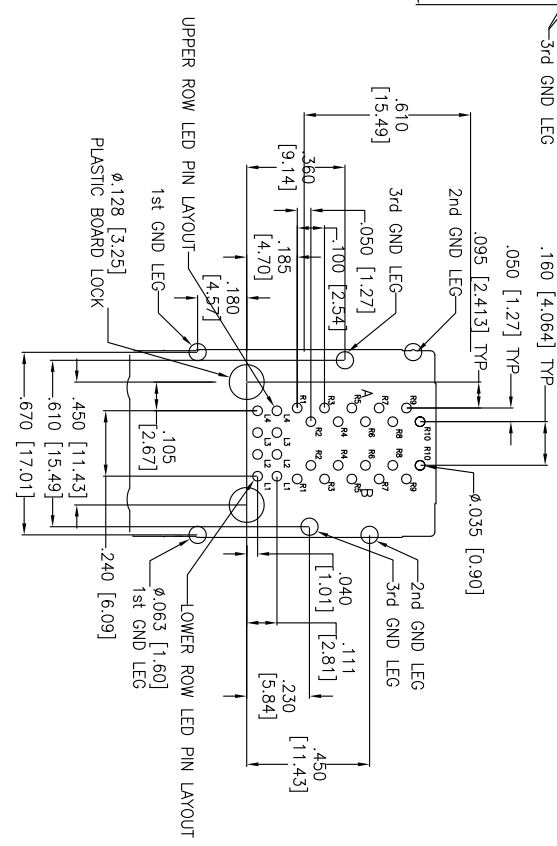
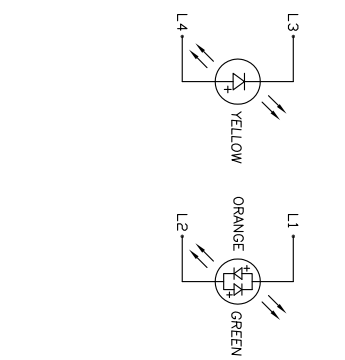
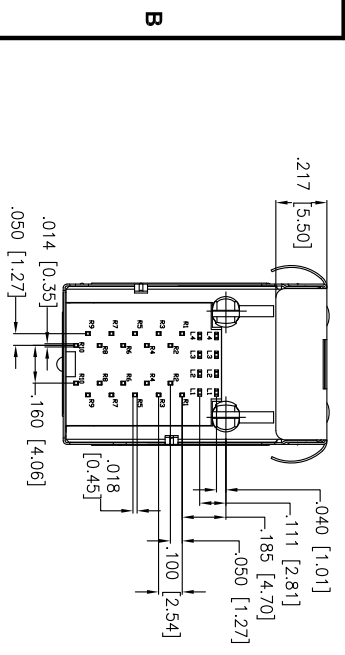
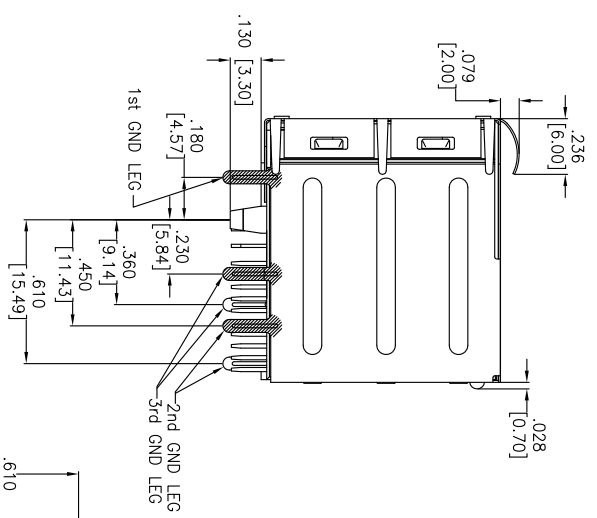
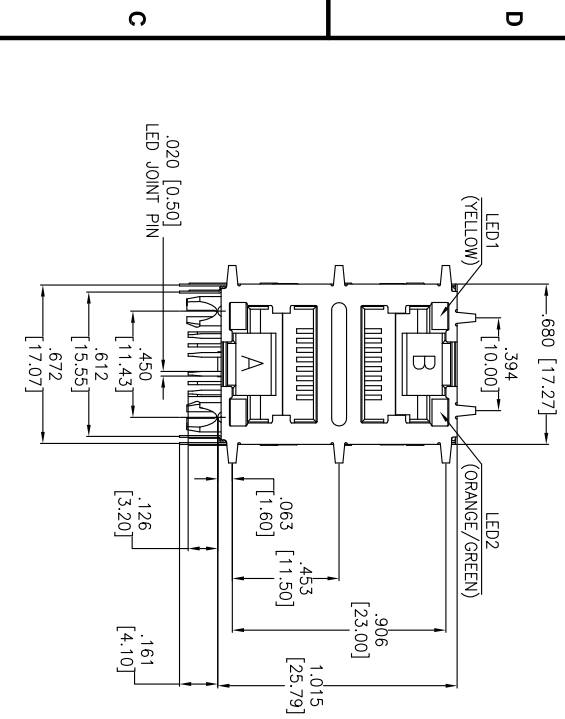
3

2

1

APPROVED: _____

DATE: _____ TITLE: _____



RECOMMENDED PCB LAYOUT

X	PLATING
0	15 μin Gold
1	30 μin Gold
2	50 μin Gold

SPECIFICATIONS:

Material: Insulator: PBT, glass reinforced, rated UL 94V-0
 Insulator color: Black
 Contacts: Phosphor Bronze
 Shield: Stainless
 Contact Plating: Gold Flash over Nickel underplate on contact area, Tin over Copper underplate on tails
 (See chart for thickness).

Electrical:

Insulation Resistance: 500M ohm Min
 Dielectric Withstanding Voltage: 1000VAC Min
 Operating temperature: 0°C to +70°C
 Environmental: Lead free, RoHS compliant
 Recommended soldering temp: 235°C for 5 sec.

ADAM TECH

909 Rahway Avenue, Union, NJ 07083
 Phone: 908-687-5000 Fax: 908-687-5710

TITLE: MODULAR JACK GANGED, 2 PORT, 8P8C
 W/ LED1 YELLOW, LED2 ORANGE/GREEN

UNLESS OTHERWISE SPECIFIED ALL DIMENSIONS ARE INCHES [MM]	
TOLERANCES: EXCEPT AS NOTED	
HOLES	
.X	± .10
.XX	± .020
.XXX	± .015
.XXX	± .015
APPROVALS	
DRAWN	DY
CHECKED	
APPROVED	
DATE	7/08/10

SIZE	PART NO.	REV.
X	MTJG-2-88X1-V-FSG-PG-LM-M67	
REF:	S00073T	
SCALE:	NIS	
SHEET	1 OF 2	

6

5

4

3

2

1