

6

5

4

3

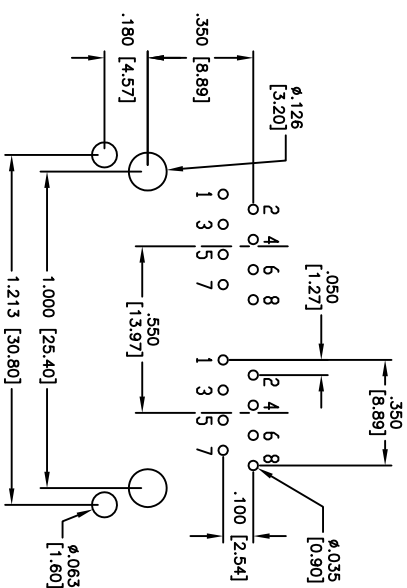
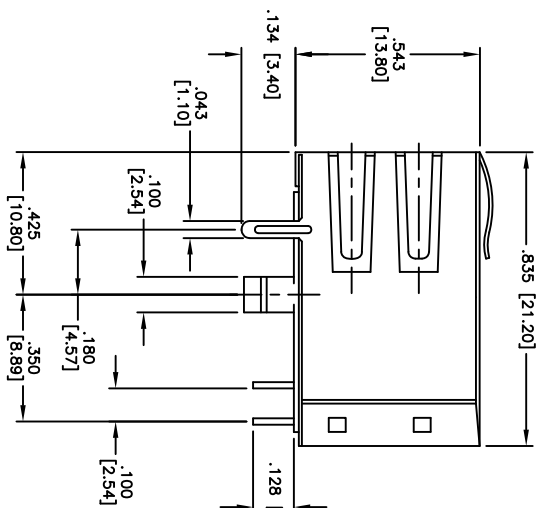
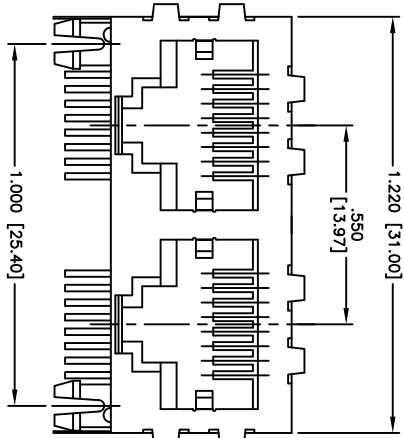
2

1

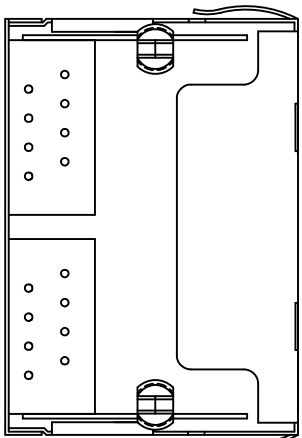
APPROVED: _____

DATE: _____ TITLE: _____

Rev	AWO #	Description	Date	Appr
-		RELEASED	9/13/10	
A		REVISED SPEC.	9/20/10	



RECOMMENDED PCB LAYOUT



X	PLATING
0	15 µin Gold
1	30 µin Gold
2	50 µin Gold

SPECIFICATIONS:

Material: PBT, glass reinforced, rated UL 94V-0

Insulator color: Black

Shield: Brass, Nickel plated

Contacts: Phosphor Bronze

Contact Plating:

Gold Flash over Nickel underplate on contact area.
Tin over Copper underplate on tails. (See chart for thickness)

Electrical:

Operating voltage: 125 VAC max

Current rating: 1.5 Amps max

Contact Resistance: 20 mohms max, initial

Insulation resistance: 1,000 Mohms min @ 500 VDC

Dielectric withstanding voltage: 1,000 VAC RMS for 1 minute

Temperature Rating: Operating temperature: -40°C to +85°C

Environmental:

Lead free, RoHS Compliant

Recommended soldering temp: 235°C for 5 seconds



6

5

4

3

2

1

ADAM TECH

909 Rahway Avenue, Union, NJ 07083
Phone: 908-687-5000 Fax: 908-687-5710

MODULAR JACK GANGED, 2PORT, 8P8C

UNLESS OTHERWISE SPECIFIED ALL DIMENSIONS ARE IN INCHES [MM] TOLERANCES: EXCEPT AS NOTED INCHES		HOLE SIZES	
.X	± .10	ØXX	± .10
.XX	± .020	ØXXX	± .015
.XXX	± .015	ØXXXX	± .010
APPROVALS		DATE	
DRAWN	DY	9/13/10	
CHECKED			
APPROVED			
SIZE	PART NO.	REV.	
X	MTJG-2-88GX1-FSG-PC8	A	
REF:	S00065T	SCALE:	NIS
		SHEET	1 OF 1