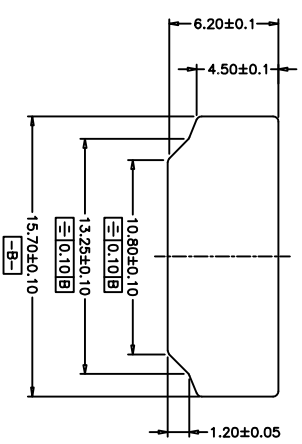
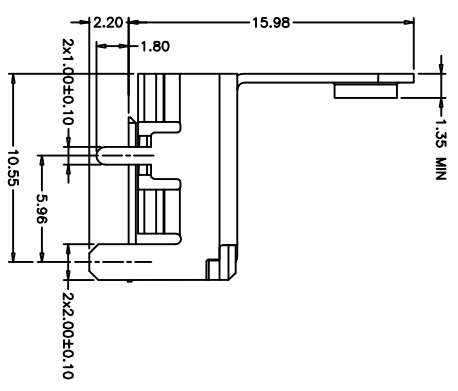
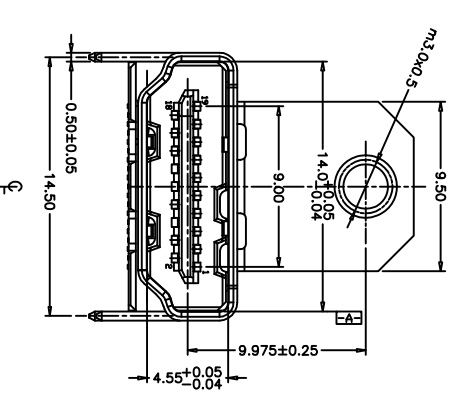
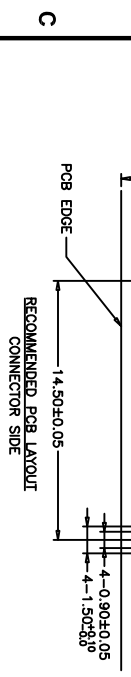
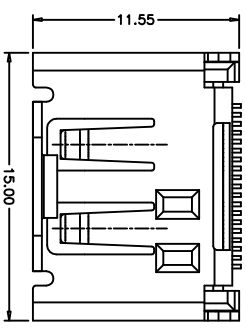
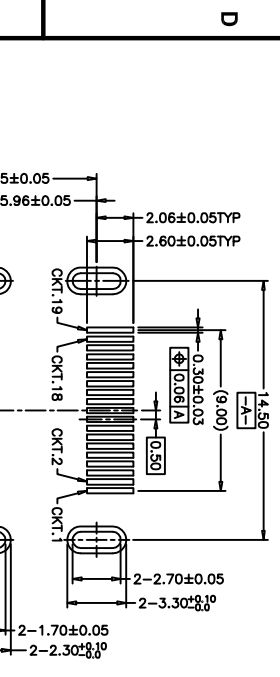


Rev	AWO #	Description	Date	Appr
-		RELEASED	6/08/10	

APPROVED: _____
 DATE: _____ TITLE: _____

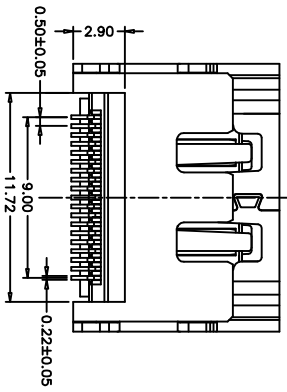


SPECIFICATIONS:

Material:
 Housing: Hi-temp thermoplastic, UL 94V-0
 Housing color: Black
 Contact: Copper Alloy
 Shield: Copper Alloy, Nickel plated
 Plating:
 10u" Gold over Nickel underplate on contact area,
 Tin over Copper underplate on tails.

Electrical:

Voltage rating: 40V
 Current rating: 0.5A
 Dielectric strength: 300VAC for 1 minute min.
 Insulation resistance: 100 Megohm min.
 Contact resistance: 10 mohms max.
 Environmental:
 Lead free, RoHS Compliant
 Recommended soldering temp: 260°C for 5 seconds.



ADAM TECH

909 Rahway Avenue, Union, NJ 07083
 Phone: 908-687-5000 Fax: 908-687-5710

TITLE: HDMI CONNECTOR, RIGHT ANGLE
 HEADER ASSEMBLY

UNLESS OTHERWISE SPECIFIED ALL DIMENSIONS ARE MM TOLERANCES: EXCEPT AS NOTED		INCHES		HOLE SIZES	
.X	± .10	ØX	± .10		
.XX	± .020	ØXXX	± .015		
.XXX	± .015	ØXXX	± .010		
APPROVALS		DATE		TITLE	
DRAWN	DY	6/08/10		HDMI CONNECTOR, RIGHT ANGLE HEADER ASSEMBLY	
CHECKED				SIZE PART NO. HDMI-S-RA-SMT-03-MF-15	
APPROVED				REF: S00015C SCALE: NTS SHEET 1 OF 1	