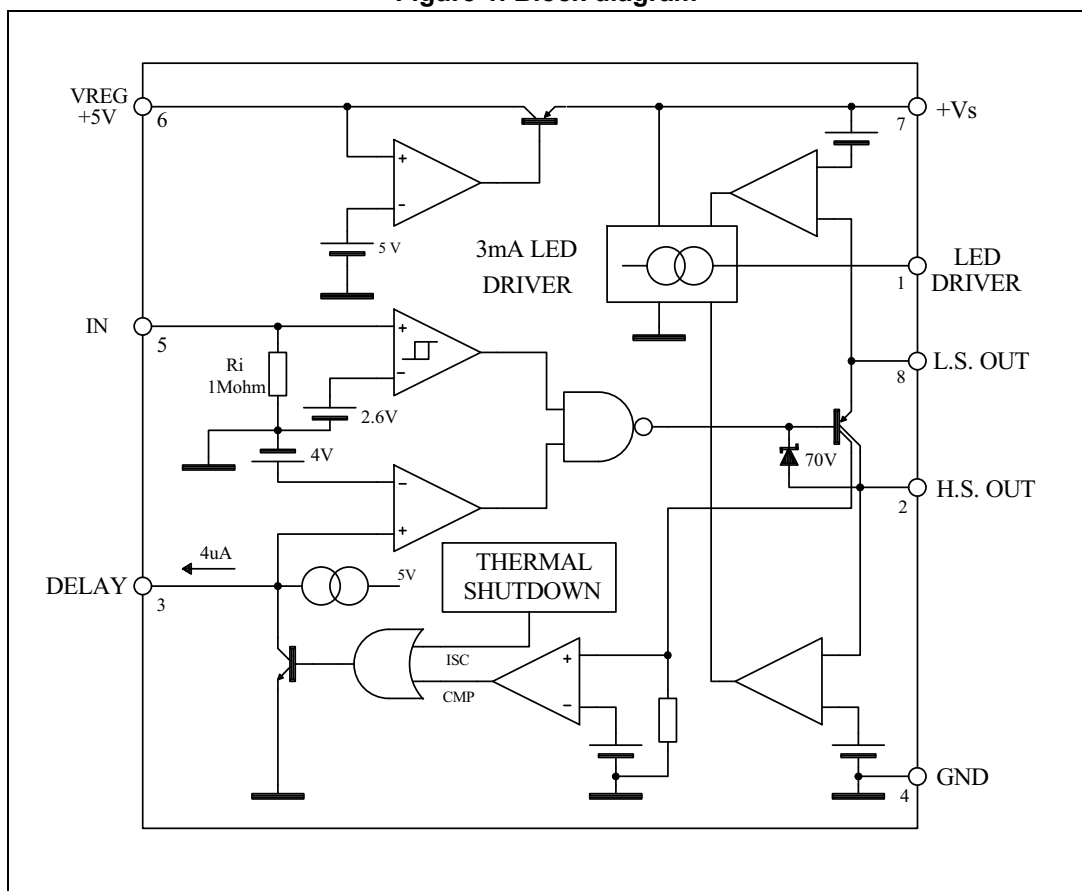


Introduction

The TDE1707 is an industrial IPS (intelligent power switch) dedicated for use in proximity detectors. It can deliver up to 0.5 A of current to a “configurable” load (battery or ground configuration), as indicated in the block diagram below.

Figure 1. Block diagram



1 Effective filtering

In the application circuit (*Figure 2*) taken from the TDE1707 device datasheet, the use of filter capacitors is recommended on both:

- the power supply (+Vs pin 7).
- the +5 V regulated voltage (Vreg pin 6).
 - To understand the function of the Vreg capacitor, it is necessary to consider that the Vreg pin makes available a regulated voltage that can be used to supply external circuits (typically proximity detectors); but the TDE1707 itself always uses the Vreg to supply most of its internal circuits (see *Figure 1: Block diagram*). Internally to the TDE1707, Vreg supplies all the functional blocks, except the output power transistor (and the Driver-Led, when the Led is connected as in “load to GND configuration”).
 - In a real application, the TDE1707 and associated circuitry can be significantly farther away from the power supply and the long connection wires will act as a serial inductor.

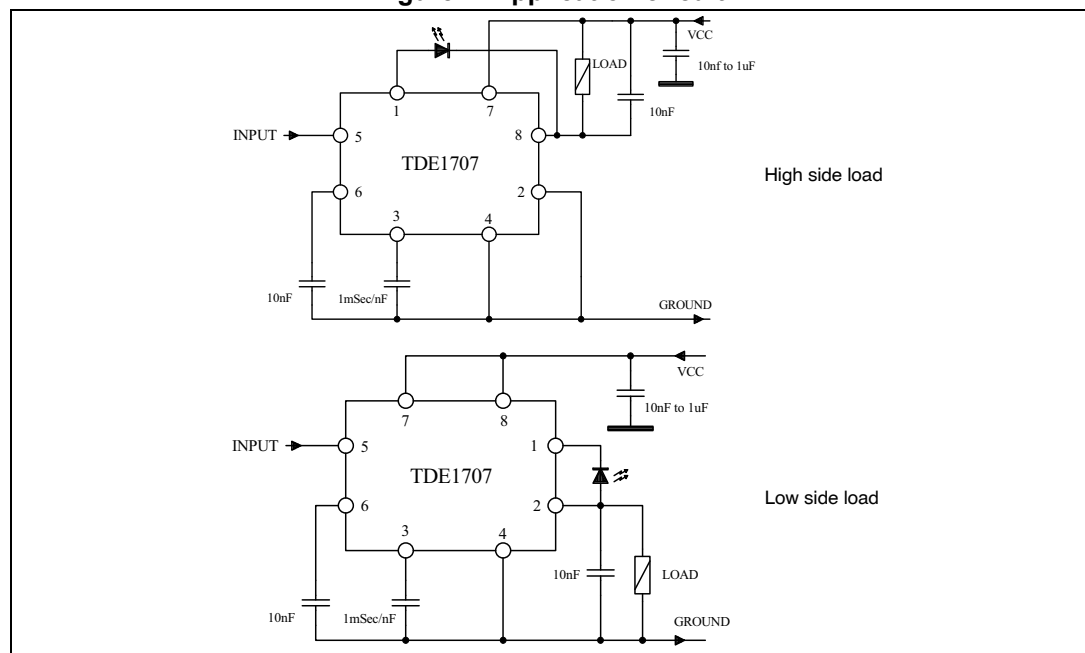
At power-on, or at turn-on of the power transistor, or in coincidence with load variations, this inductance will react to the current variations with wide voltage variations. In proximity sensor applications, for space reasons, the size of the filtering capacitors must be reduced as much as possible.

The voltage oscillation can induce two kind of problems in the circuit:

1. Overvoltage on the +Vs pin, connected to the +24 V bus, which can exceed the TDE1707 rated limit.
2. Disturbances inside the circuit (TDE1707), because the noise immunity level is exceeded with disruption of the input/output function.

Filtering the overvoltage on the +Vs is possible only by an external capacitance between +Vs (pin7) and Ground (pin4) to limit voltage spikes at the device’s rated values.

Figure 2. Application circuit



Immunity problems in the circuit are essentially related to the +5 V Vreg filtering, because the noise on this voltage can induce errors in the low-voltage circuits.

The best solution to avoid immunity problems is to put the filter capacitor between Vreg and Ground even if the Vreg does not supply any external circuits. Compared to the +Vs capacitor filtering effect, which also improves the immunity, the Vreg capacitor offers two advantages:

1. The capacitive value can be significantly lower, for the same filtering effect, because the Vreg filter does not have to sustain the load current variations.
2. The nominal voltage of the capacitor is lower (6 V instead of 25-50 V), so that the physical size of the capacitor is also smaller.

The higher effectiveness of filtering Vreg instead of +Vs is always evident. On average, in a typical application, a capacitor put on Vreg can, with the same filtering effectiveness of a capacitor on +Vs, be 20 times smaller in value.

Nonetheless, a capacitor on +Vs, although not of high value, is recommended. Its value should be adapted in accordance with the equivalent inductance of the supply connections and of the value of the load.

For instance, the values used in the test circuit ([Figure 3](#)):

- 325 μ H are too high to be found in practice.
- 4.7 nF on +Vs is barely sufficient with 325 μ H (with 325 μ H, 10 nF would be preferable).
- 4.7 nF on Vreg is sufficient in most practical cases.
- Using the test circuit shown in [Figure 3](#), with the input trigger of the TDE1707 in pulsed mode, the effect of the capacitor on Vreg (pin 6) can be noted in [Figure 4](#) and [Figure 5](#):
 - [Figure 4](#) shows the voltage on +Vs (Ch1) and Vreg (Ch2) at turn-on and turn-off edges, without the filter capacitor on pin 6.
 - [Figure 5](#) shows the same signals but with 4.7 nF capacitor connected between Vreg (pin 6) and Ground.

The improvement of the immunity level and the low values of the capacitors makes the suggested filtering solution the best for proximity detector applications.

Figure 3. Test circuit

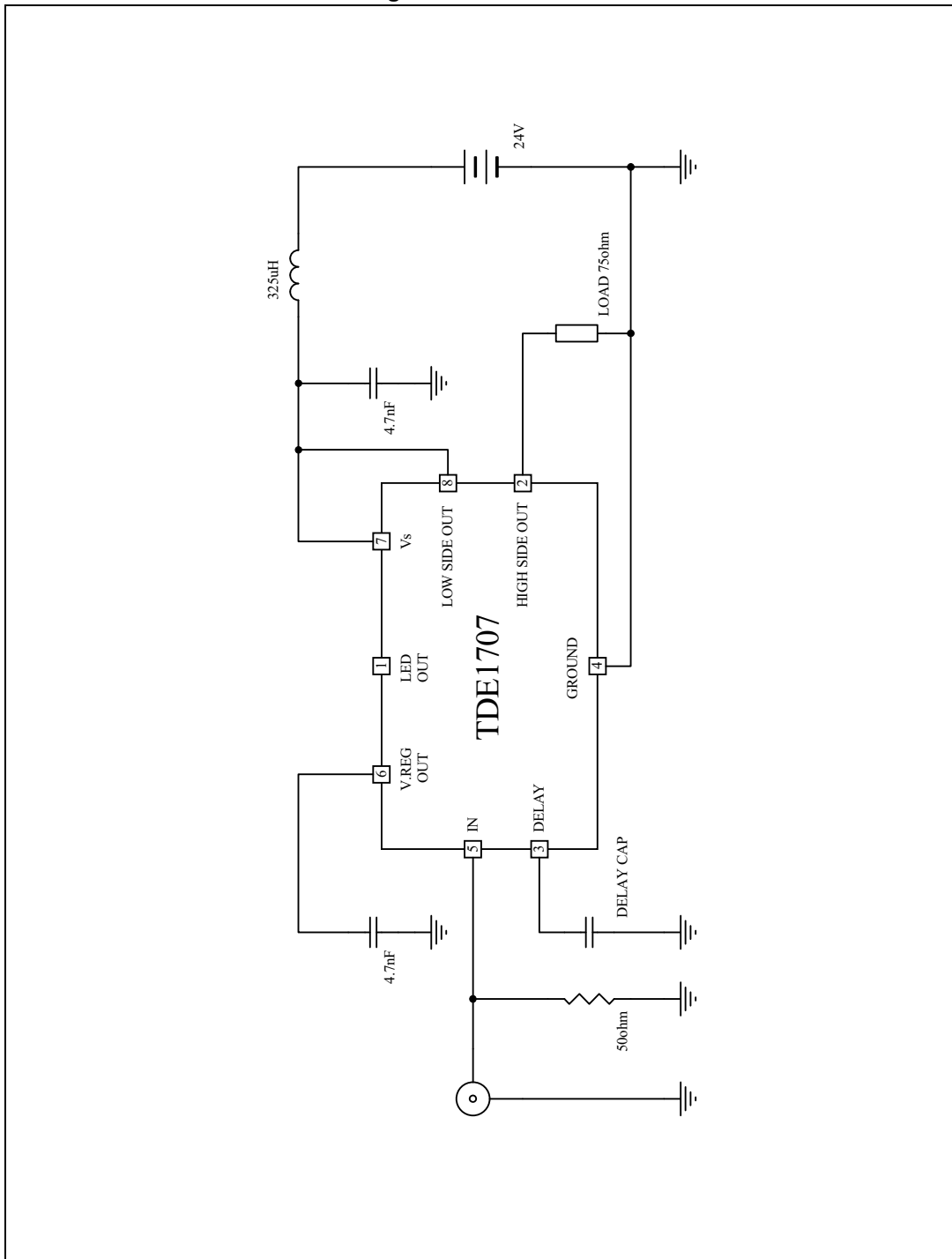


Figure 4. Voltage on Vs and Vreg without filter capacitor

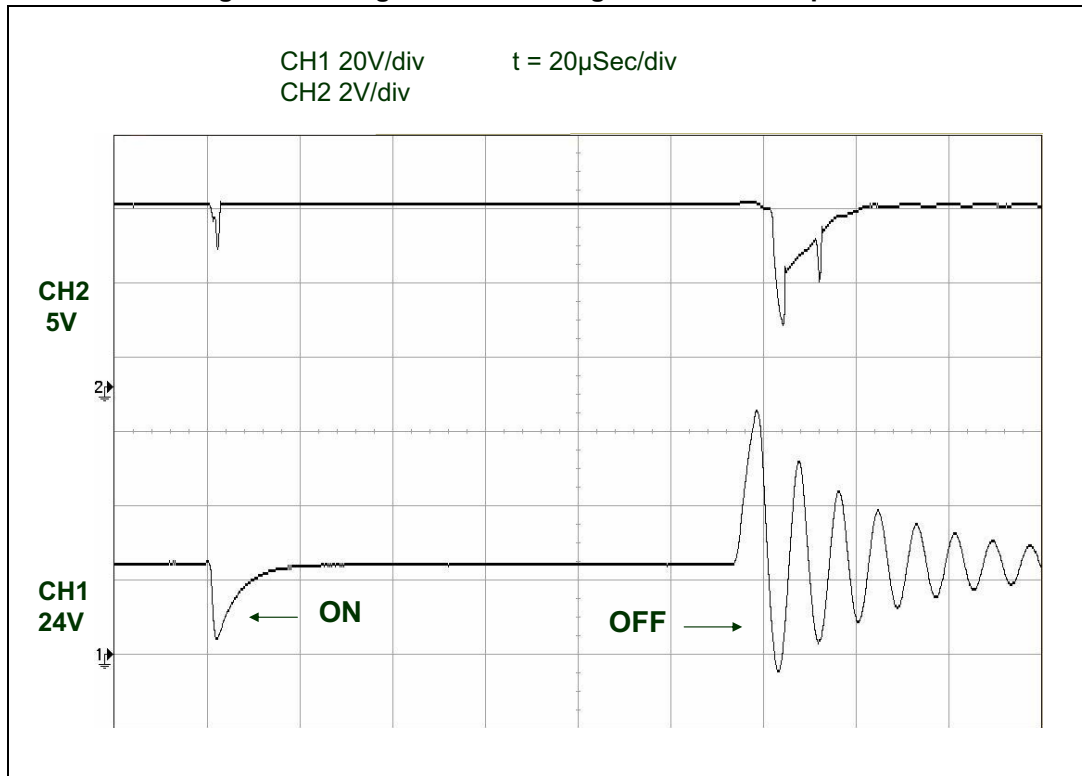
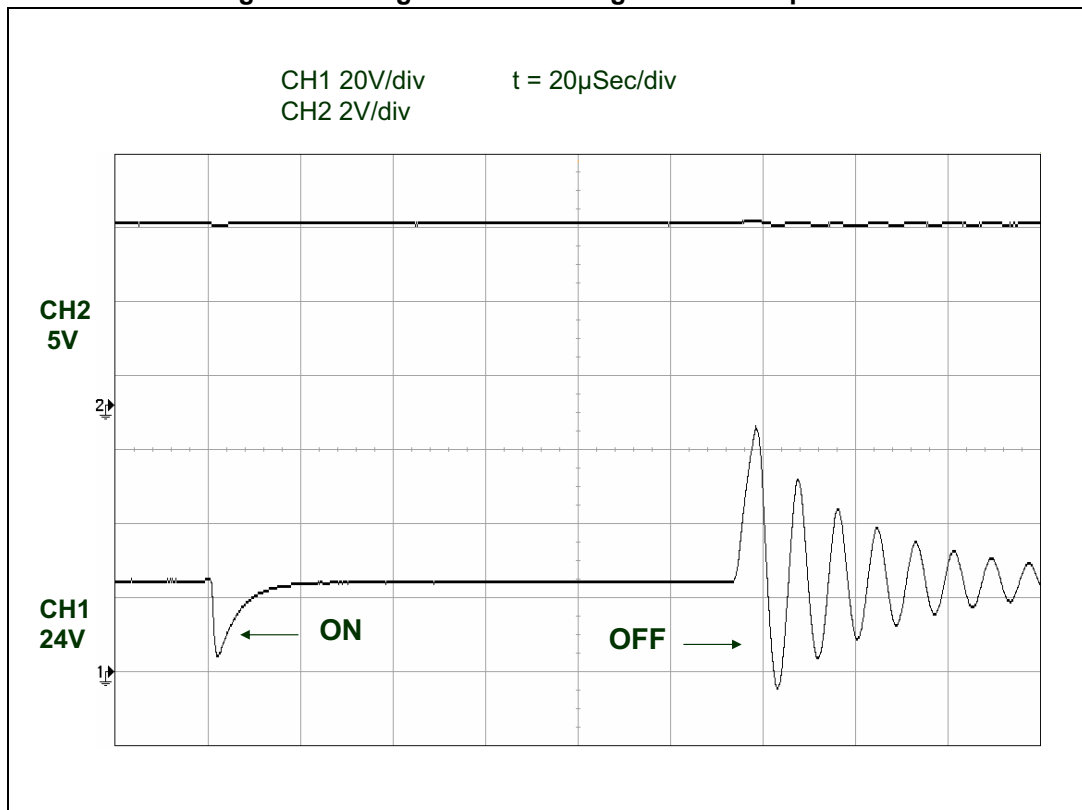


Figure 5. Voltage on Vs and Vreg with filter capacitor



2 Revision history

Table 1. Revision history

Date	Revision	Changes
Nov-2003	1	First issue
14-Sep-2005	2	New template, no content change
14-Dec-2006	3	The document has been reformatted
17-Dec-2013	4	Minor formatting and text changes

Please Read Carefully:

Information in this document is provided solely in connection with ST products. STMicroelectronics NV and its subsidiaries ("ST") reserve the right to make changes, corrections, modifications or improvements, to this document, and the products and services described herein at any time, without notice.

All ST products are sold pursuant to ST's terms and conditions of sale.

Purchasers are solely responsible for the choice, selection and use of the ST products and services described herein, and ST assumes no liability whatsoever relating to the choice, selection or use of the ST products and services described herein.

No license, express or implied, by estoppel or otherwise, to any intellectual property rights is granted under this document. If any part of this document refers to any third party products or services it shall not be deemed a license grant by ST for the use of such third party products or services, or any intellectual property contained therein or considered as a warranty covering the use in any manner whatsoever of such third party products or services or any intellectual property contained therein.

UNLESS OTHERWISE SET FORTH IN ST'S TERMS AND CONDITIONS OF SALE ST DISCLAIMS ANY EXPRESS OR IMPLIED WARRANTY WITH RESPECT TO THE USE AND/OR SALE OF ST PRODUCTS INCLUDING WITHOUT LIMITATION IMPLIED WARRANTIES OF MERCHANTABILITY, FITNESS FOR A PARTICULAR PURPOSE (AND THEIR EQUIVALENTS UNDER THE LAWS OF ANY JURISDICTION), OR INFRINGEMENT OF ANY PATENT, COPYRIGHT OR OTHER INTELLECTUAL PROPERTY RIGHT.

ST PRODUCTS ARE NOT DESIGNED OR AUTHORIZED FOR USE IN: (A) SAFETY CRITICAL APPLICATIONS SUCH AS LIFE SUPPORTING, ACTIVE IMPLANTED DEVICES OR SYSTEMS WITH PRODUCT FUNCTIONAL SAFETY REQUIREMENTS; (B) AERONAUTIC APPLICATIONS; (C) AUTOMOTIVE APPLICATIONS OR ENVIRONMENTS, AND/OR (D) AEROSPACE APPLICATIONS OR ENVIRONMENTS. WHERE ST PRODUCTS ARE NOT DESIGNED FOR SUCH USE, THE PURCHASER SHALL USE PRODUCTS AT PURCHASER'S SOLE RISK, EVEN IF ST HAS BEEN INFORMED IN WRITING OF SUCH USAGE, UNLESS A PRODUCT IS EXPRESSLY DESIGNATED BY ST AS BEING INTENDED FOR "AUTOMOTIVE, AUTOMOTIVE SAFETY OR MEDICAL" INDUSTRY DOMAINS ACCORDING TO ST PRODUCT DESIGN SPECIFICATIONS. PRODUCTS FORMALLY ESCC, QML OR JAN QUALIFIED ARE DEEMED SUITABLE FOR USE IN AEROSPACE BY THE CORRESPONDING GOVERNMENTAL AGENCY.

Resale of ST products with provisions different from the statements and/or technical features set forth in this document shall immediately void any warranty granted by ST for the ST product or service described herein and shall not create or extend in any manner whatsoever, any liability of ST.

ST and the ST logo are trademarks or registered trademarks of ST in various countries.

Information in this document supersedes and replaces all information previously supplied.

The ST logo is a registered trademark of STMicroelectronics. All other names are the property of their respective owners.

© 2013 STMicroelectronics - All rights reserved

STMicroelectronics group of companies

Australia - Belgium - Brazil - Canada - China - Czech Republic - Finland - France - Germany - Hong Kong - India - Israel - Italy - Japan - Malaysia - Malta - Morocco - Philippines - Singapore - Spain - Sweden - Switzerland - United Kingdom - United States of America

www.st.com

