

Features

- ◆ Universal input: 90–264 VAC or 120–370 VDC
- ◆ Active power factor correction (>0.95)
- ◆ High efficiency up to 93%
- ◆ Current share function for up to 3 units in parallel
- ◆ Adjustable output voltage
- ◆ EMI/EMC compliance with EN 61000-6-3 and EN 61000-6-1
- ◆ Remote control input
- ◆ Rear side IEC-C13 line socket, including mains switch and fuse
- ◆ DC-OK signal and 5 VDC auxiliary output
- ◆ Protection against over-voltage, over-temperature, overload and short circuit
- ◆ 3-year product warranty



The TXH 600 series models are very compact 600 Watt universal power supplies. Rear side IEC-C13 line socket including mains switch and fuse and the output screw terminal make the connection of these power supplies very easy. Sense line, auxiliary output, remote control, adjustable output voltage, and current share line for up to 3 units in parallel make the units all-purpose applicable.

They come with an active power factor correction. The EMC characteristic is dedicated for applications in industry, IT and domestics. The protection against over-voltage, over-temperature, overload and short circuit and a high efficiency of up to 93% guarantees a reliable operation.

Models

Order code	Output power max.	Output voltage nom.	Output current max.	Efficiency typ.
TXH 120/240/360/480	120 – 480 Watt	see: www.tracopower.com/products/txh.pdf		
TXH 600-112	540 Watt	12 VDC	45 A	90 %
TXH 600-124	600 Watt	24 VDC	25 A	92 %
TXH 600-148	600 Watt	48 VDC	12.5 A	92 %
TXH 600-154	600 Watt	54 VDC	11.1 A	93 %

Input Specifications

Input voltage	– nominal – AC range (universal input) – DC range – Output power derating at operation below 110 VAC	100 – 240 VAC 90 – 264 VAC 120 – 370 VDC 1%/V (110 - Vin)
Input frequency		47 – 63 Hz
Earth leakage current (240 VAC / 63 Hz)		3.5 mA max.
Harmonic limits	– Power factor	EN 61000-3-2, Class A & D >0.99 at 115 VAC, >0.95 at 230 VAC
Input current at full load	– at 115 VAC / 230 VAC	rated 8.0 A / 3.5 A typical: 6.0 A / 2.9 A
Circuit breaker (slow blow fuse)		16 A internal

Output Specifications

Voltage set accuracy		±2 % max.
Output voltage adjustment range		±5 % with internal potentiometer
Regulation	– Input variation – Load variation (0–100%)	1 % max. 1 % max.
Minimum load		1%
Ripple and noise (20 MHz bandwidth)		<1% Vout [mVp-p]
Hold-up time		12 ms min.
Current limitation		auto recovery
Short circuit protection		no auto recovery (power disconnect required)
Overvoltage protection by Zener diode		120 % of Vout typ. auto recovery
Overtemperature protection		auto recovery
Capacitive load, [µF] max.	12 VDC models: 24 VDC models: 48 VDC models: 54 VDC models:	60'000 µF max. 50'000 µF max. 20'000 µF max. 10'000 µF max.

General Specifications

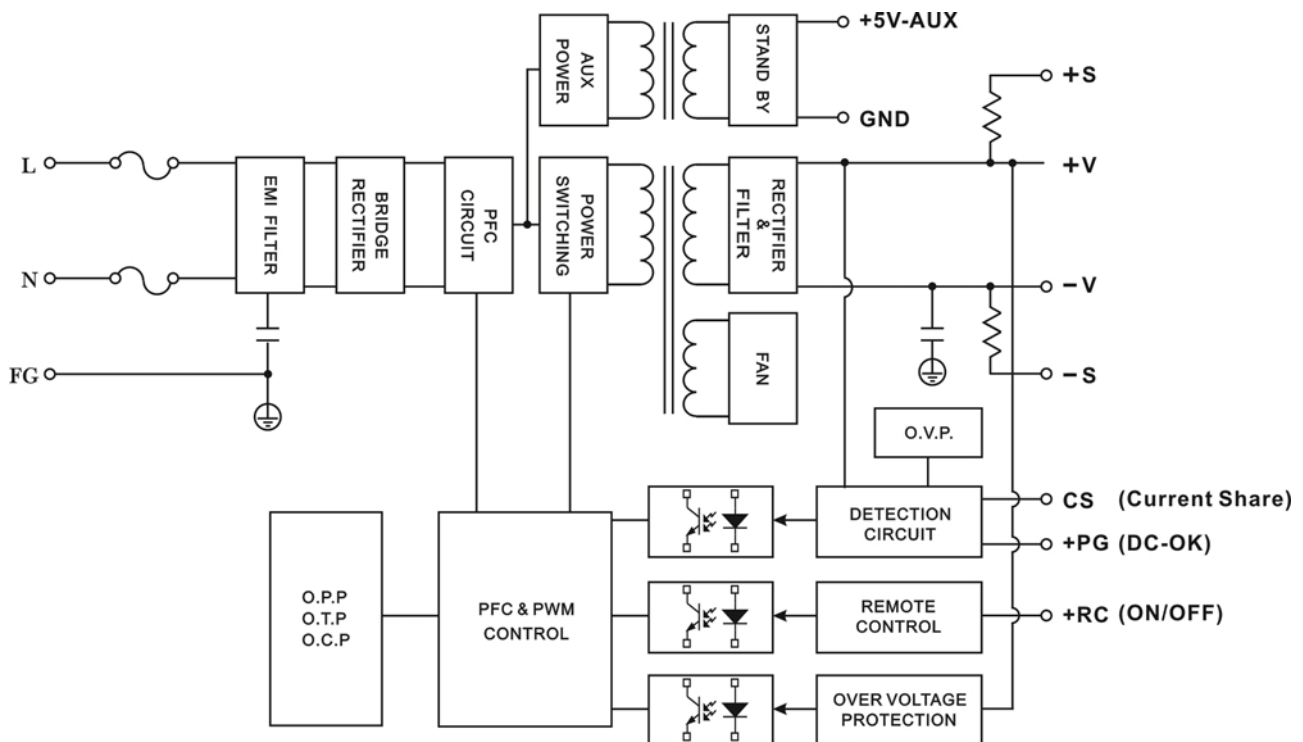
Temperature ranges	– Operating – Storage (non operating)	–25°C to +65°C –25°C to +85°C
Derating		4 %/K above +50°C
Temperature coefficient		0.03 %/K
Humidity (non condensing)		95 % rel max.
Switching frequency (pulse width modulation PWM)		110 kHz typ. ±10%
Isolation voltage (60 sec.)	– Input/Output – Input/Case – Output/Case	3'000 VAC 1'500 VAC 500 VAC
Reliability /calculated MTBF (MIL-HDBK-217F, at +25°C, ground benign)		>100'000 h

All specifications valid at nominal input voltage, full load and +25°C after warm-up time unless otherwise stated.

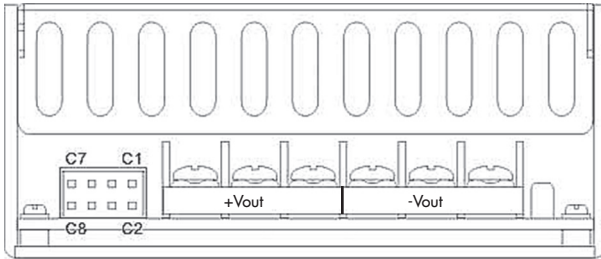
General Specifications

Electromagnetic compatibility (EMC), Emissions		EN 61000-3-2:2006+A1:2009+A2:2009 EN 61000-3-3:2008 EN 55022, class B
Electromagnetic compatibility (EMC), Immunity	<ul style="list-style-type: none"> - Electrostatic discharge ESD - RF field susceptibility - Electrical fast transient / burst immunity input - Surge immunity line - neutral - Surge immunity line - PE, neutral - PE - Immunity to conducted RF disturbances - Power frequency magnetic field immunity - Mains voltage dips and interruptions 	EN 55024 EN 61000-4-2 ±2 kV / ±4 kV, criteria A EN 61000-4-3 3 V/m, criteria A EN 61000-4-4 ±1 kV, criteria A EN 61000-4-5, ±1 kV, criteria A EN 61000-4-5, ±2 kV, criteria A EN 61000-4-6 3 V, criteria A EN 61000-4-8 1 A/m, criteria A EN 61000-4-11 30 % 500 ms, criteria A 95 % 10 ms, criteria A 95 % 2500 ms, criteria B
EMC test report		www.tracopower.com/products/tXH600-emc.pdf
Degree of protection		class I
Safety standards		UL 60950-1, IEC 60950-1 2nd: Am 1, EN 60950-1:2006/A11:2009/A1:2010/A12:2011
Safety approvals	<ul style="list-style-type: none"> - UL online certification UL/cUL 60950-1 - CB certificate according to IEC/EN 60950-1 	www.ul.com -> certifications -> File e188913 www.tracopower.com/products/tXH600-cb.pdf
Environment	- Vibration	3 axes, sine sweep, 10-500Hz, 2g, 0.1 oct/min
Altitude during operation		up to 2000 m (6560 ft)
Environmental compliance	<ul style="list-style-type: none"> - Reach - RoHS 	www.tracopower.com/products/tXH-reach.pdf RoHS directive 2011/65/EU

Block Diagram



Functions



7	5	3	1
OK	GND	CS	+S
Aux	RC	GND	-S
8	6	4	2

Control connector	
C1	+ Sense
C2	- Sense
C3	Current share
C4	GND (internal connection to -Vout)
C5	
C6	Remote Control: open = On, short to GND = Off
C7	DC-OK signal: 4-6 VDC = On, 0-1 VDC = Off
C8	+5 VDC aux. ±10%, 0.6 A max.

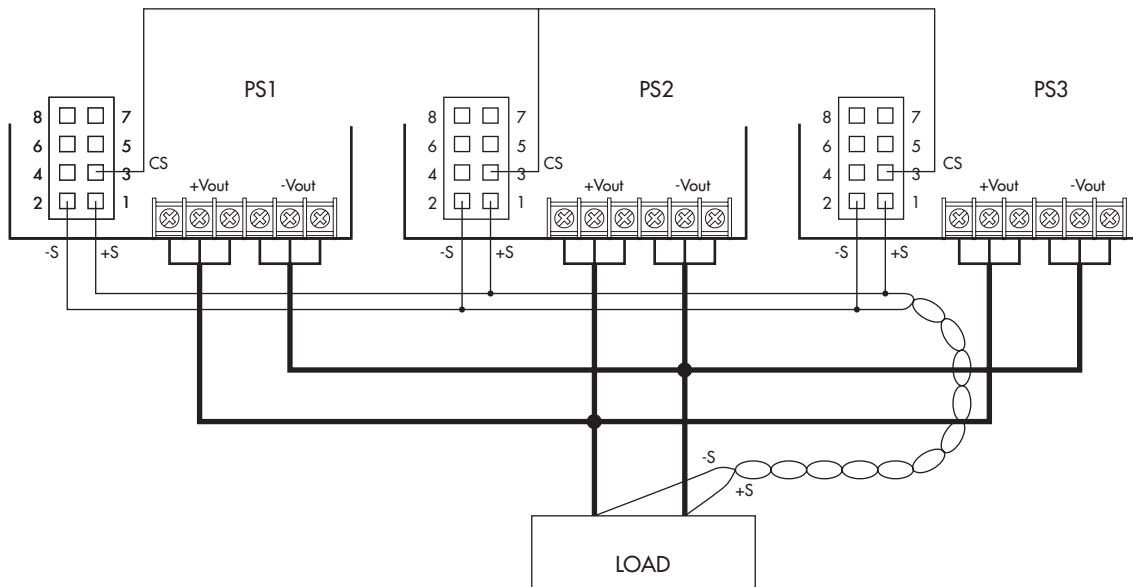
Vout terminals are rated for 25 A max.
At higher current connection has to be splitted.

Mating connector:
Housing: JST PHDR-08VS
Crimp: JST SPHD-002T-P0.5

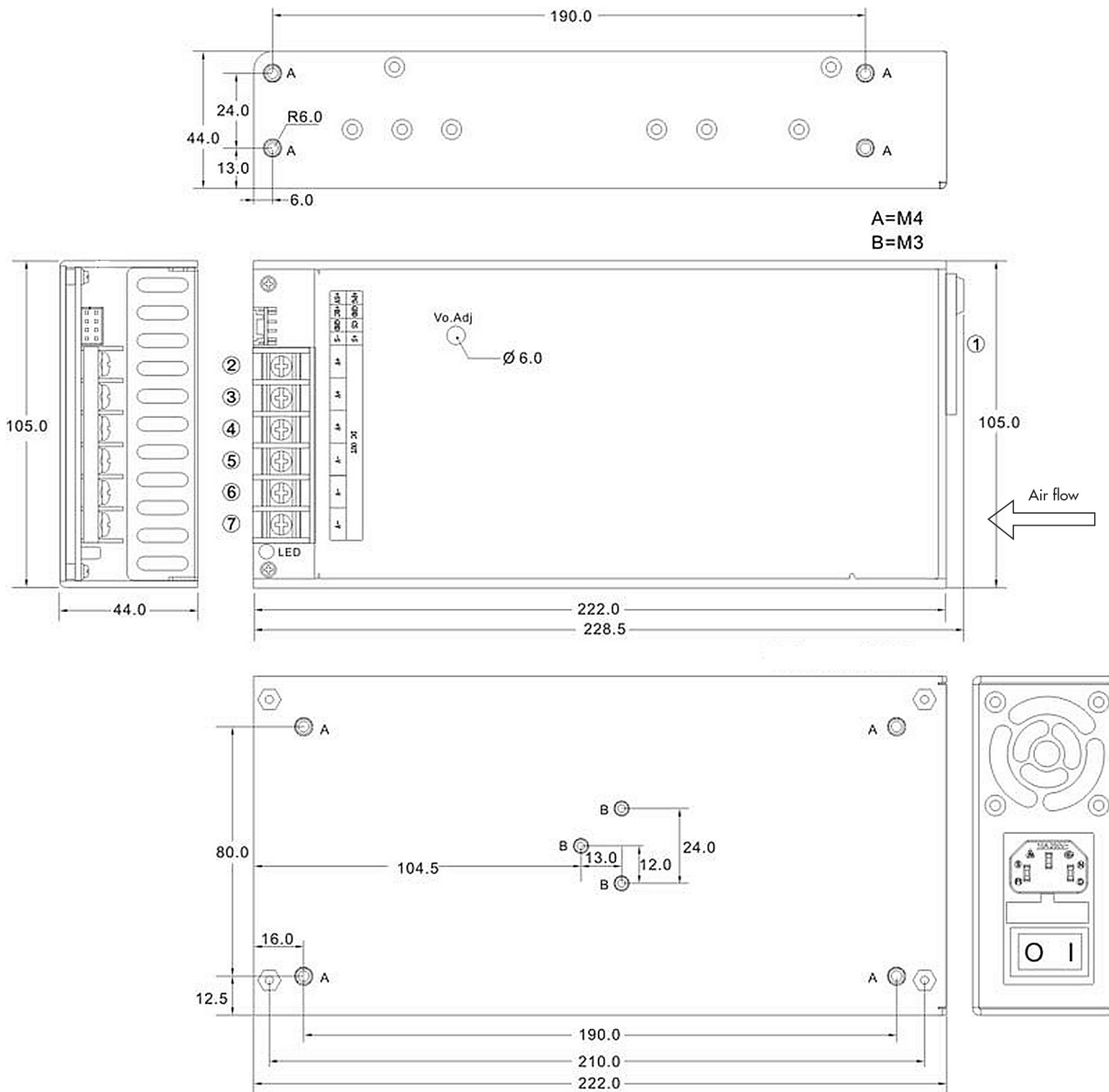
Connection cable with 500mm
flying leads included!

Parallel operation:

- Difference in Vout among paralleled units should be less than +/-1%
- Output power at parallel operation = rated power per unit x number of unit x 80%
- Shorter wiring to each unit is recommended, as well as twisting +S and -S in pairs, as shown.



Outline Dimensions



Weight: 1030 g

Max. mounting screw penetration: 2.5 mm

Dimensions in [mm]

Tolerance ± 0.5 mm

Connection	
1	AC in IEC-C13 line socket
2-4	+ Vout
5-7	- Vout