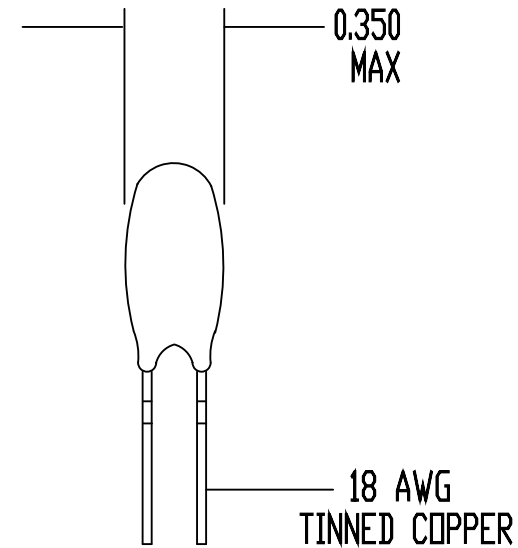
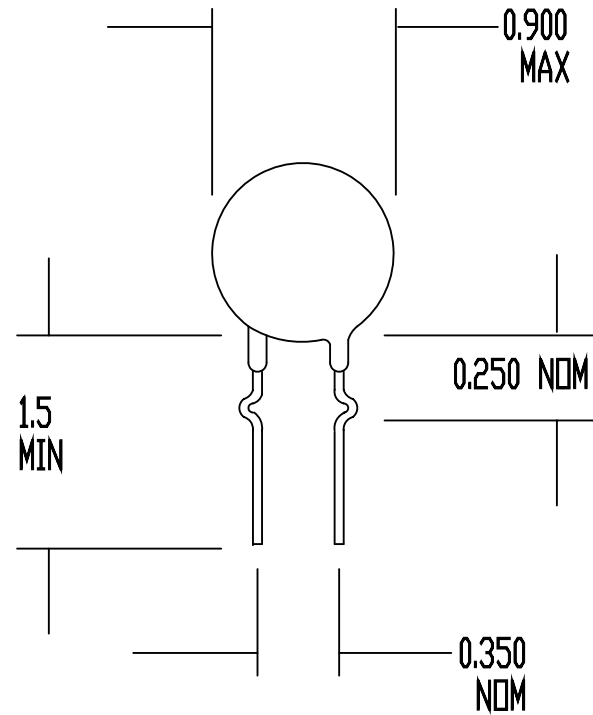



REV	DATE	ECD#
A	12/14/92	1232

DRAWING NOT TO SCALE  
ALL DIMENSIONS IN INCHES



**SPECIFICATIONS:**

RESISTANCE AT 25 DEG C = 4 OHMS +/- 20%  
 MAXIMUM CONTINUOUS CURRENT (I<sub>max</sub>) = 14 AMPS  
 RESISTANCE AT I<sub>max</sub> = 0.05 OHMS NOMINAL  
 MAXIMUM VOLTAGE RATING = 265 VAC (RMS)  
 MAXIMUM SURGE RATING = 100 JOULES  
 ENCAPSULATION = SILICONE RESIN  
 MARKING = OPTIONAL  
 LEADS = RODAN P/N STL-209-45

DRAWN BY D. NGUYEN		 <b>Circuit Protection Thermistors</b>
DATE 11/05/90	ORIG. F. TISED	
REV A	APP	SURGE-GARD INRUSH CURRENT LIMITER
SHEET 1 OF 1		SG330