

N-channel 600 V, 6.7 Ω typ., 1.2 A SuperMESH3™ Power MOSFET in DPAK and IPAK packages

Datasheet – production data

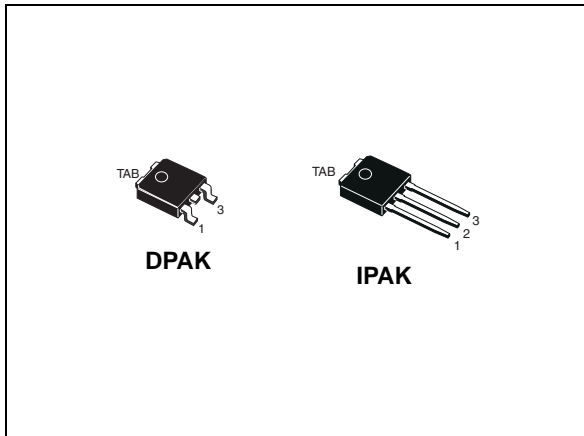
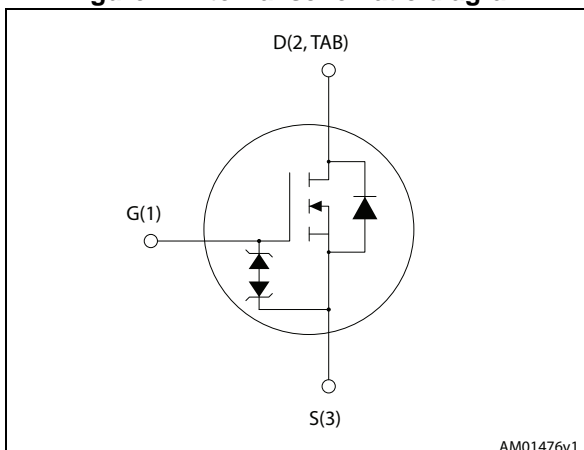


Figure 1. Internal schematic diagram



Features

| Order codes | V_{DS} | $R_{DS(on)max}$ | I_D | P_{TOT} |
|-------------|----------|-----------------|-------|-----------|
| STD1HN60K3 | 600 V | 8 Ω | 1.2 A | 27 W |
| STU1HN60K3 | | | | |

- 100% avalanche tested
- Extremely high dv/dt capability
- Gate charge minimized
- Very low intrinsic capacitance
- Improved diode reverse recovery characteristics
- Zener-protected

Applications

- Switching applications

Description

These SuperMESH3™ Power MOSFETs are the result of improvements applied to STMicroelectronics' SuperMESH™ technology, combined with a new optimized vertical structure. These devices boast an extremely low on-resistance, superior dynamic performance and high avalanche capability, rendering them suitable for the most demanding applications.

Table 1. Device summary

| Order codes | Marking | Package | Packaging |
|-------------|---------|---------|---------------|
| STD1HN60K3 | 1HN60K3 | DPAK | Tape and reel |
| STU1HN60K3 | | IPAK | Tube |

Contents

| | | |
|----------|---|-----------|
| 1 | Electrical ratings | 3 |
| 2 | Electrical characteristics | 4 |
| | 2.1 Electrical characteristics (curves) | 6 |
| 3 | Test circuits | 9 |
| 4 | Package mechanical data | 10 |
| 5 | Packaging mechanical data | 16 |
| 6 | Revision history | 18 |

1 Electrical ratings

Table 2. Absolute maximum ratings

| Symbol | Parameter | Value | Unit |
|----------------|--|--------------------|------------------|
| V_{DS} | Drain- source voltage | 600 | V |
| V_{GS} | Gate- source voltage | ± 30 | V |
| I_D | Drain current (continuous) at $T_C = 25\text{ }^\circ\text{C}$ | 1.2 ⁽¹⁾ | A |
| I_D | Drain current (continuous) at $T_C = 100\text{ }^\circ\text{C}$ | 0.76 | A |
| $I_{DM}^{(1)}$ | Drain current (pulsed) | 4.8 | A |
| P_{TOT} | Total dissipation at $T_C = 25\text{ }^\circ\text{C}$ | 27 | W |
| I_{AR} | Avalanche current, repetitive or not-repetitive (pulse width limited by T_J max) | 1.2 | A |
| E_{AS} | Single pulse avalanche energy (starting $T_J = 25\text{ }^\circ\text{C}$, $I_D = I_{AR}$, $V_{DD} = 50\text{ V}$) | 60 | mJ |
| $dv/dt^{(2)}$ | Peak diode recovery voltage slope | 5 | V/ns |
| T_J | Operating junction temperature | -55 to 150 | $^\circ\text{C}$ |
| T_{stg} | Storage temperature | | $^\circ\text{C}$ |

1. Pulse width limited by safe operating area
2. $I_{SD} \leq 1.2\text{ A}$, $di/dt \leq 400\text{ A}/\mu\text{s}$, $V_{DS\text{ peak}} \leq V_{(BR)DSS}$, $V_{DD} = 80\% V_{(BR)DSS}$.

Table 3. Thermal data

| Symbol | Parameter | Value | | Unit |
|----------------|---|-------|------|---------------------------|
| | | DPAK | IPAK | |
| $R_{thj-case}$ | Thermal resistance junction-case max. | 4.63 | | $^\circ\text{C}/\text{W}$ |
| $R_{thj-amb}$ | Thermal resistance junction-ambient max | | 100 | $^\circ\text{C}/\text{W}$ |
| $R_{thj-pcb}$ | Thermal resistance junction-pcb max. | 50 | | $^\circ\text{C}/\text{W}$ |

2 Electrical characteristics

($T_{\text{case}} = 25\text{ °C}$ unless otherwise specified)

Table 4. On /off states

| Symbol | Parameter | Test conditions | Min. | Typ. | Max. | Unit |
|-----------------------------|---|---|------|------|----------|--------------------------------|
| $V_{(\text{BR})\text{DSS}}$ | Drain-source breakdown voltage | $I_{\text{D}} = 1\text{ mA}$, $V_{\text{GS}} = 0$ | 600 | | | V |
| I_{DSS} | Zero gate voltage drain current ($V_{\text{GS}} = 0$) | $V_{\text{DS}} = 600\text{ V}$ $V_{\text{DS}} = 600\text{ V}$, $T_{\text{C}} = 125\text{ °C}$ | | | 1 50 | μA μA |
| I_{GSS} | Gate-body leakage current ($V_{\text{DS}} = 0$) | $V_{\text{GS}} = \pm 20\text{ V}$ | | | ± 10 | μA |
| $V_{\text{GS}(\text{th})}$ | Gate threshold voltage | $V_{\text{DS}} = V_{\text{GS}}$, $I_{\text{D}} = 50\text{ }\mu\text{A}$ | 2 | 3.75 | 4.5 | V |
| $R_{\text{DS}(\text{on})}$ | Static drain-source on-resistance | $V_{\text{GS}} = 10\text{ V}$, $I_{\text{D}} = 0.6\text{ A}$ | | 6.7 | 8 | Ω |

Table 5. Dynamic

| Symbol | Parameter | Test conditions | Min. | Typ. | Max. | Unit |
|---------------------------------|---------------------------------------|--|------|------|------|----------|
| C_{iss} | Input capacitance | $V_{\text{DS}} = 50\text{ V}$, $f = 1\text{ MHz}$, $V_{\text{GS}} = 0$ | - | 140 | - | pF |
| C_{oss} | Output capacitance | | - | 13 | - | pF |
| C_{riss} | Reverse transfer capacitance | | - | 2 | - | pF |
| $C_{\text{o}(\text{tr})}^{(1)}$ | Equivalent capacitance time related | $V_{\text{DS}} = 0\text{ to }480\text{ V}$, $V_{\text{GS}} = 0$ | - | 9 | - | pF |
| $C_{\text{o}(\text{tr})}^{(2)}$ | Equivalent capacitance energy related | | - | 6 | - | pF |
| R_{g} | Gate input resistance | $f = 1\text{ MHz}$ open drain | - | 10 | - | Ω |
| Q_{g} | Total gate charge | $V_{\text{DD}} = 480\text{ V}$, $I_{\text{D}} = 1.2\text{ A}$, $V_{\text{GS}} = 10\text{ V}$ (see Figure 16) | - | 9.5 | - | nC |
| Q_{gs} | Gate-source charge | | - | 1.5 | - | nC |
| Q_{gd} | Gate-drain charge | | - | 6.5 | - | nC |

- $C_{\text{o}(\text{tr})}^{(1)}$ is defined as a constant equivalent capacitance giving the same charging time as C_{oss} when V_{DS} increases from 0 to 80% V_{DS}
- $C_{\text{o}(\text{tr})}^{(2)}$ is defined as a constant equivalent capacitance giving the same charging time as C_{oss} when V_{DS} increases from 0 to 80% V_{DS}

Table 6. Switching times

| Symbol | Parameter | Test conditions | Min. | Typ. | Max | Unit |
|--------------|---------------------|---|------|------|-----|------|
| $t_{d(on)}$ | Turn-on delay time | $V_{DD} = 300\text{ V}$, $I_D = 0.6\text{ A}$, $R_G = 4.7\ \Omega$, $V_{GS} = 10\text{ V}$ (see Figure 10) | - | 7 | - | ns |
| t_r | Rise time | | - | 10 | - | ns |
| $t_{d(off)}$ | Turn-off-delay time | | - | 23 | - | ns |
| t_f | Fall time | | - | 31 | - | ns |

Table 7. Source drain diode

| Symbol | Parameter | Test conditions | Min. | Typ. | Max | Unit |
|-----------------|-------------------------------|---|------|------|-----|------|
| I_{SD} | Source-drain current | | - | | 1.2 | A |
| $I_{SDM}^{(1)}$ | Source-drain current (pulsed) | | - | | 4.8 | A |
| $V_{SD}^{(2)}$ | Forward on voltage | $I_{SD} = 1.2\text{ A}$, $V_{GS} = 0$ | - | | 1.6 | V |
| t_{rr} | Reverse recovery time | $I_{SD} = 1.2\text{ A}$, $di/dt = 100\text{ A}/\mu\text{s}$ $V_{DD} = 60\text{ V}$ (see Figure 11) | - | 180 | | ns |
| Q_{rr} | Reverse recovery charge | | - | 500 | | nC |
| I_{RRM} | Reverse recovery current | | - | 5.6 | | A |
| t_{rr} | Reverse recovery time | $I_{SD} = 1.2\text{ A}$, $di/dt = 100\text{ A}/\mu\text{s}$ $V_{DD} = 60\text{ V}$ $T_J = 150\text{ }^\circ\text{C}$ (see Figure 11) | - | 200 | | ns |
| Q_{rr} | Reverse recovery charge | | - | 570 | | nC |
| I_{RRM} | Reverse recovery current | | - | 6 | | A |

1. Pulse width limited by safe operating area
2. Pulsed: pulse duration = 300 μs , duty cycle 1.5%

Table 8. Gate-source Zener diode

| Symbol | Parameter | Test conditions | Min. | Typ. | Max. | Unit |
|---------------|-------------------------------|--|------|------|------|------|
| $V_{(BR)GSO}$ | Gate-source breakdown voltage | $I_{GS} = \pm 1\text{ mA}$, $I_D = 0$ | 30 | - | - | V |

The built-in back-to-back Zener diodes have been specifically designed to enhance not only the device’s ESD capability, but also to make them capable of safely absorbing any voltage transients that may occasionally be applied from gate to source. In this respect, the Zener voltage is appropriate to achieve efficient and cost-effective protection of device integrity. The integrated Zener diodes thus eliminate the need for external components.

2.1 Electrical characteristics (curves)

Figure 2. Safe operating area

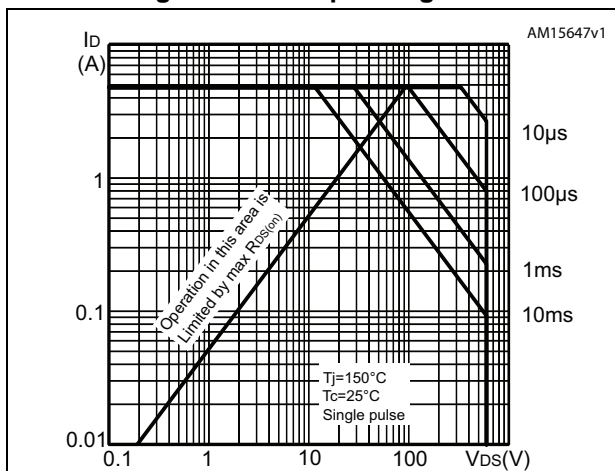


Figure 3. Thermal impedance

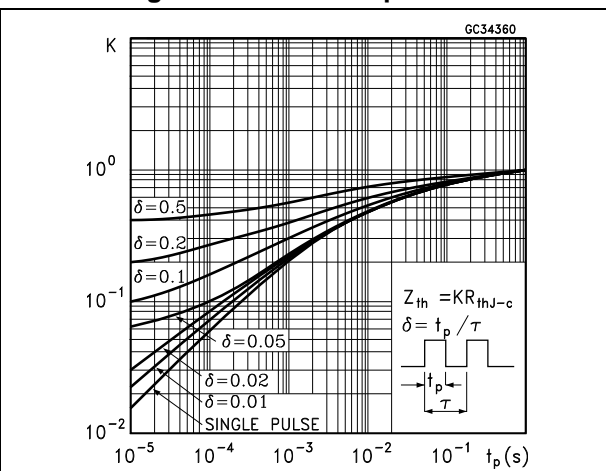


Figure 4. Output characteristics

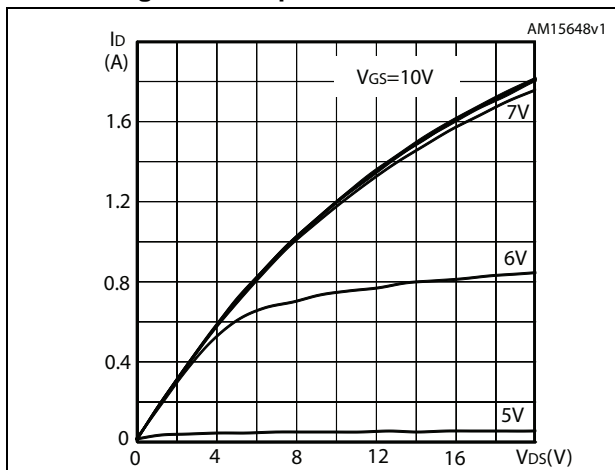


Figure 5. Transfer characteristics

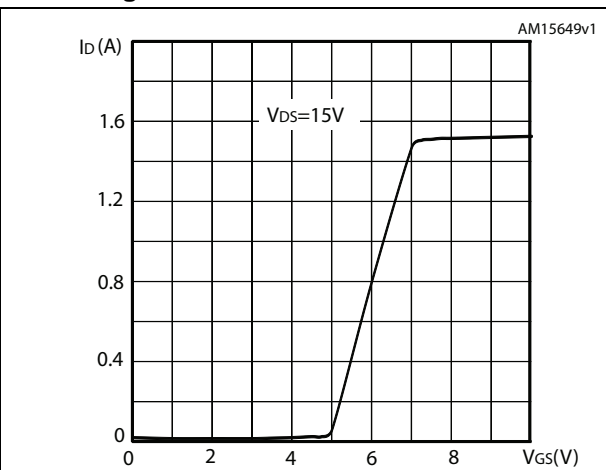


Figure 6. Normalized B_{VDS} vs temperature

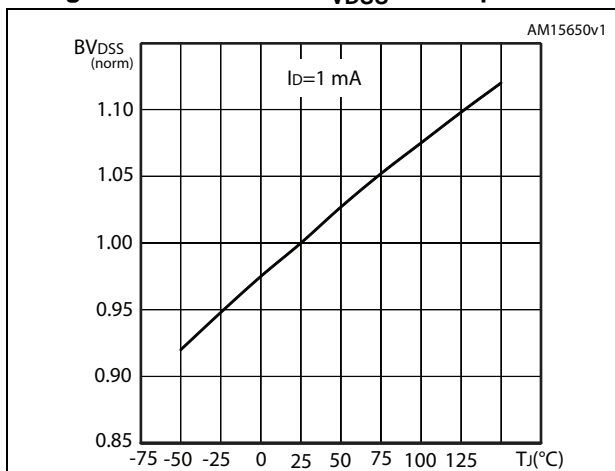


Figure 7. Static drain-source on-resistance

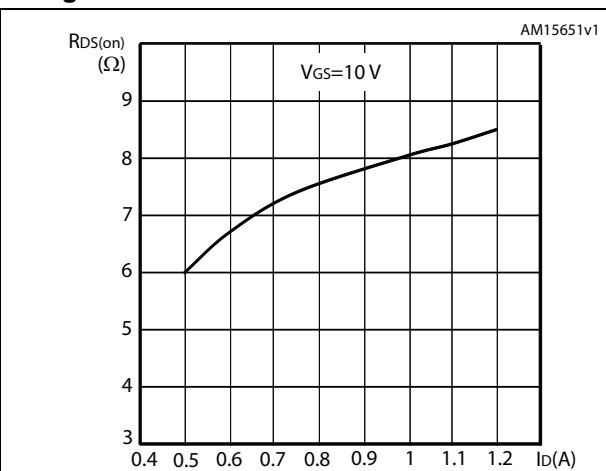


Figure 8. Gate charge vs gate-source voltage

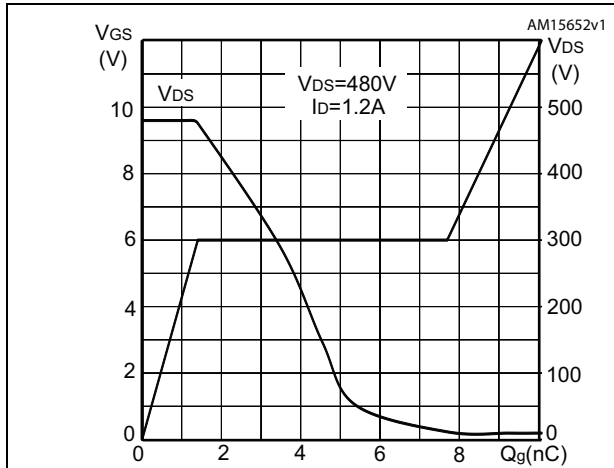


Figure 9. Capacitance variations

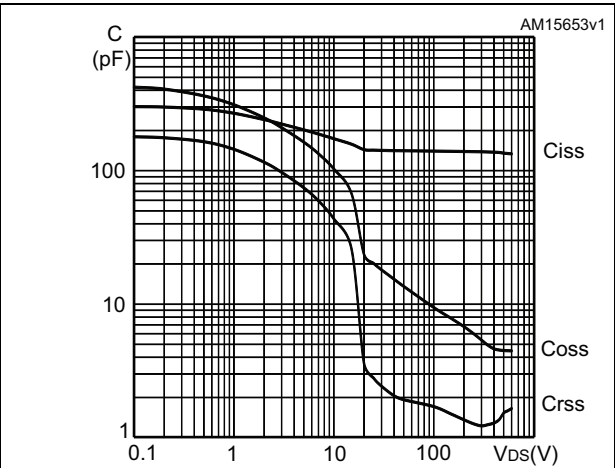


Figure 10. Normalized gate threshold voltage vs temperature

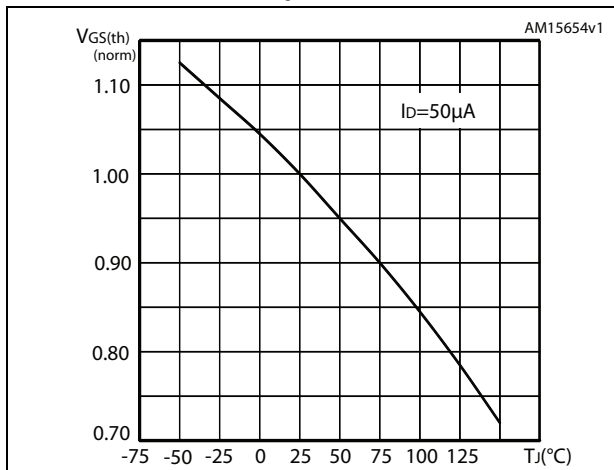


Figure 11. Normalized on-resistance vs temperature

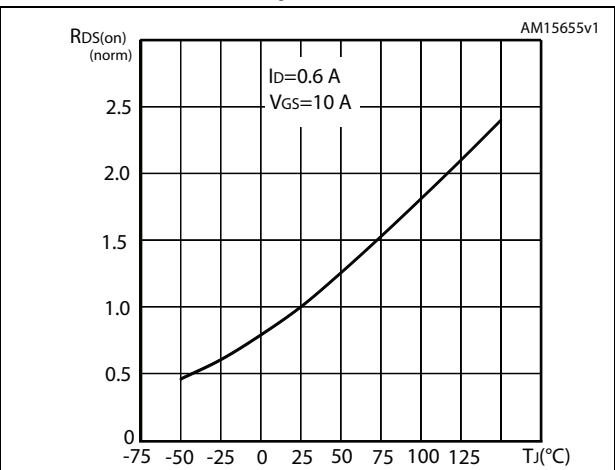


Figure 12. Source-drain diode forward characteristics

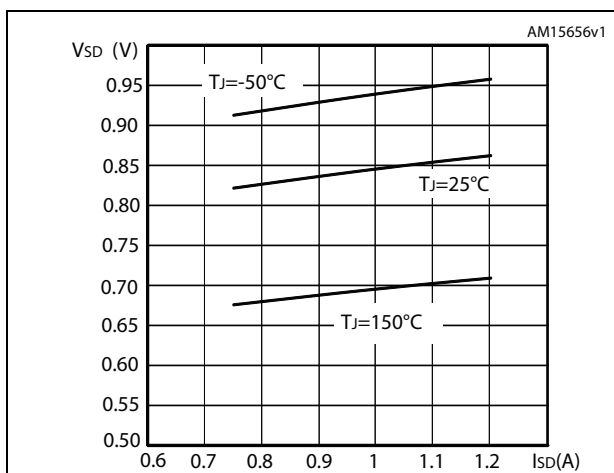


Figure 13. Output capacitance stored energy

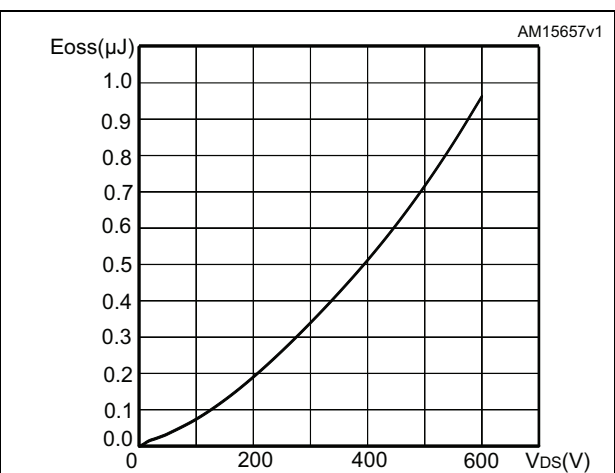
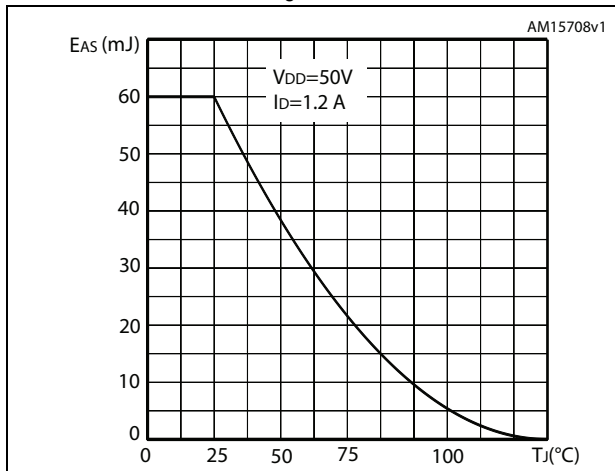


Figure 14. Maximum avalanche energy vs. starting T_J



3 Test circuits

Figure 15. Switching times test circuit for resistive load

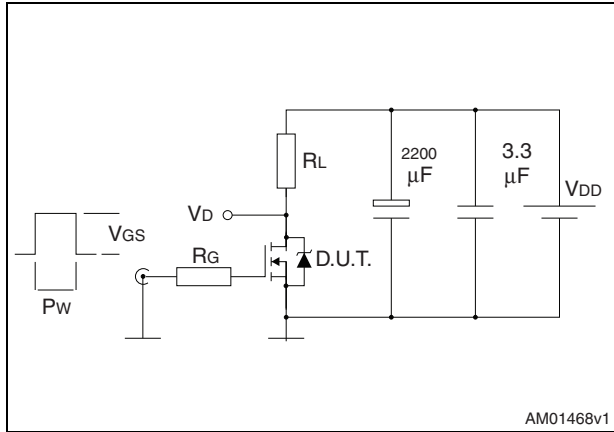


Figure 16. Gate charge test circuit

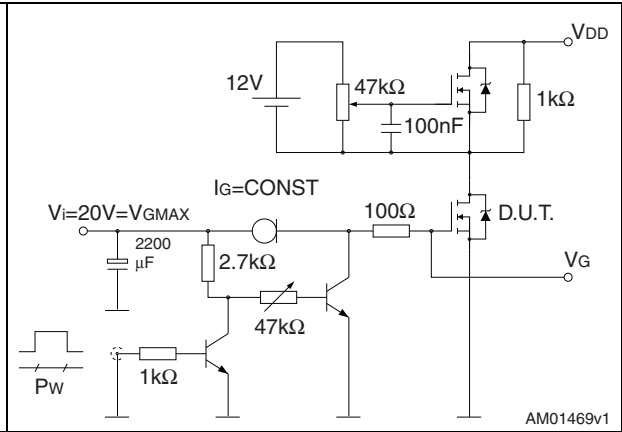


Figure 17. Test circuit for inductive load switching and diode recovery times

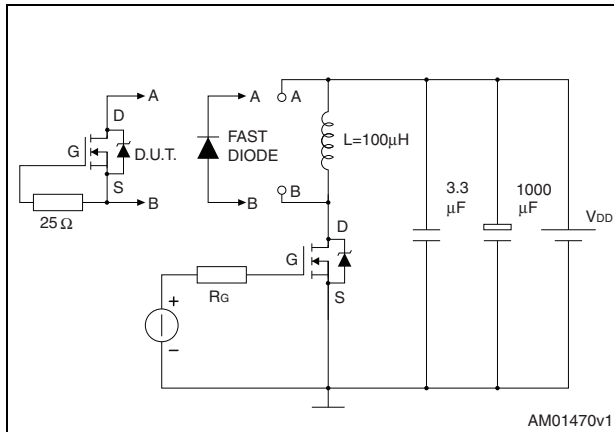


Figure 18. Unclamped inductive load test circuit

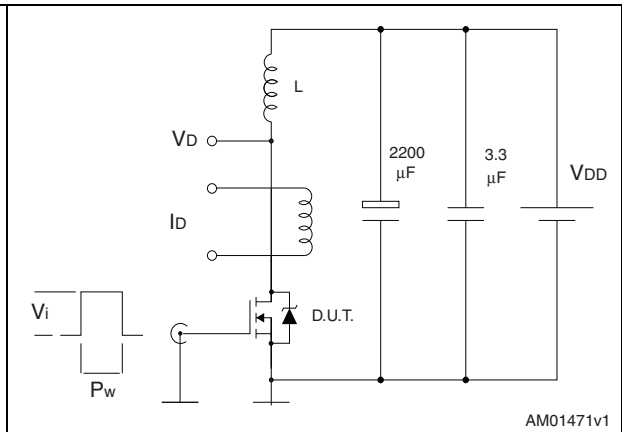


Figure 19. Unclamped inductive waveform

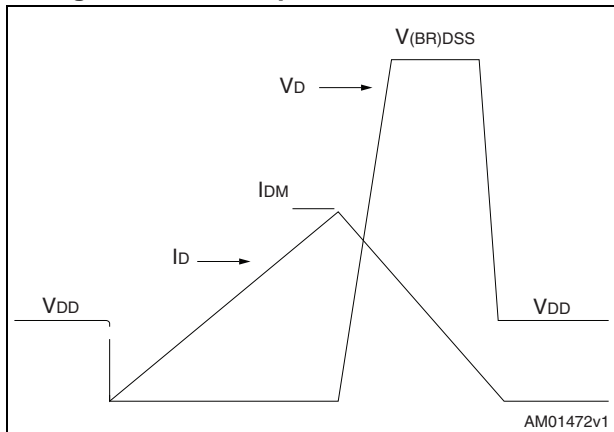
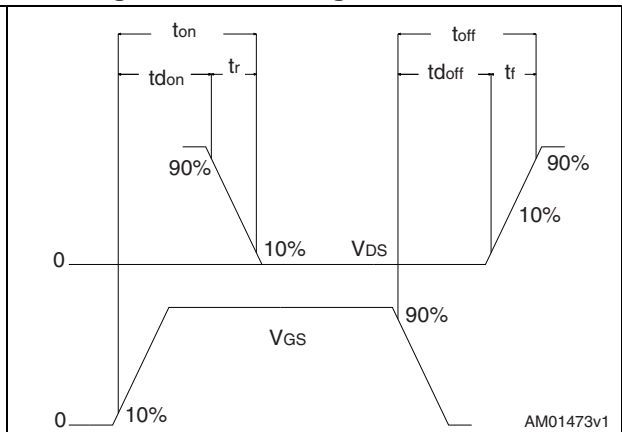


Figure 20. Switching time waveform



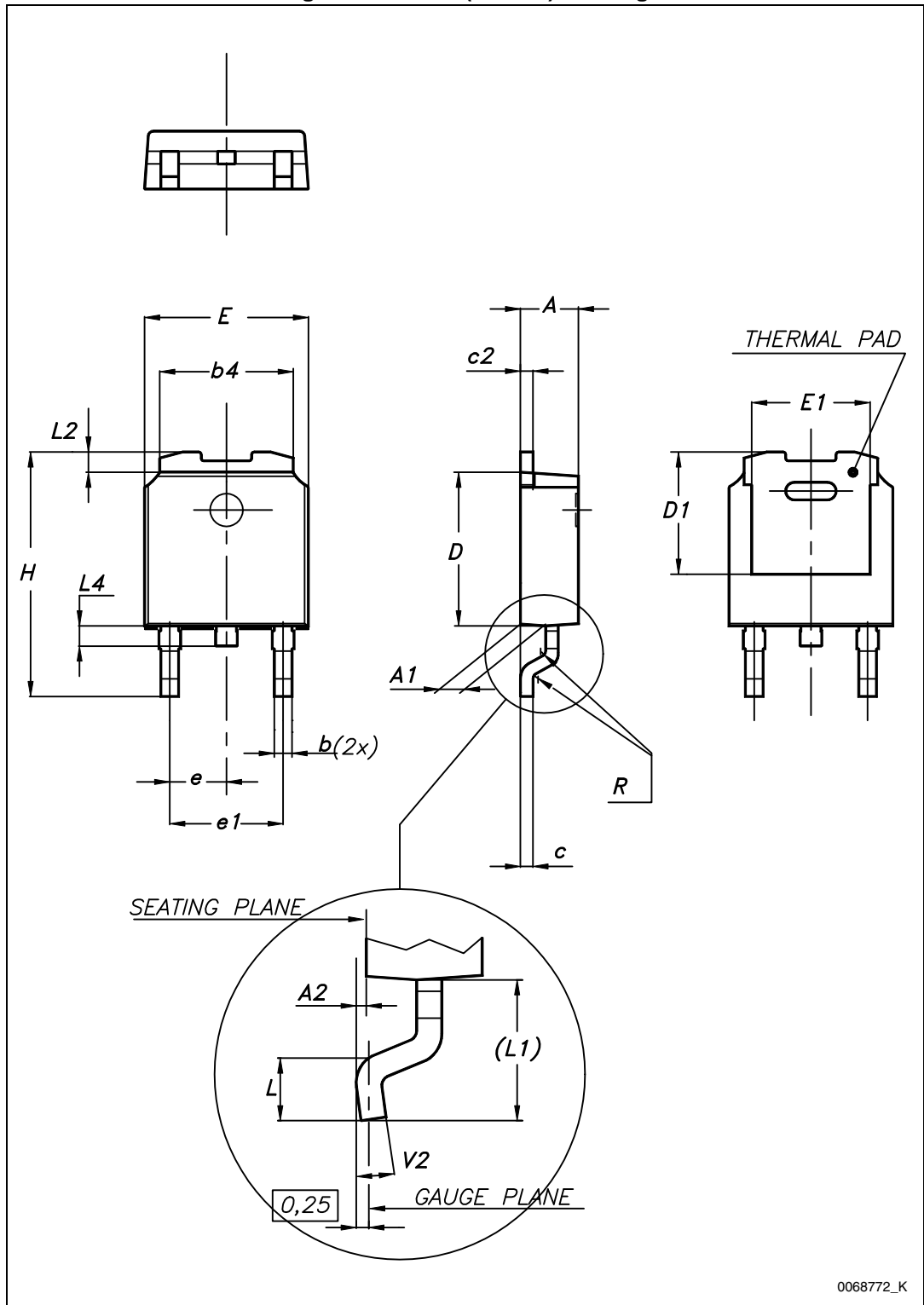
4 Package mechanical data

In order to meet environmental requirements, ST offers these devices in different grades of ECOPACK[®] packages, depending on their level of environmental compliance. ECOPACK[®] specifications, grade definitions and product status are available at: www.st.com. ECOPACK[®] is an ST trademark.

Table 9. DPAK (TO-252) mechanical data

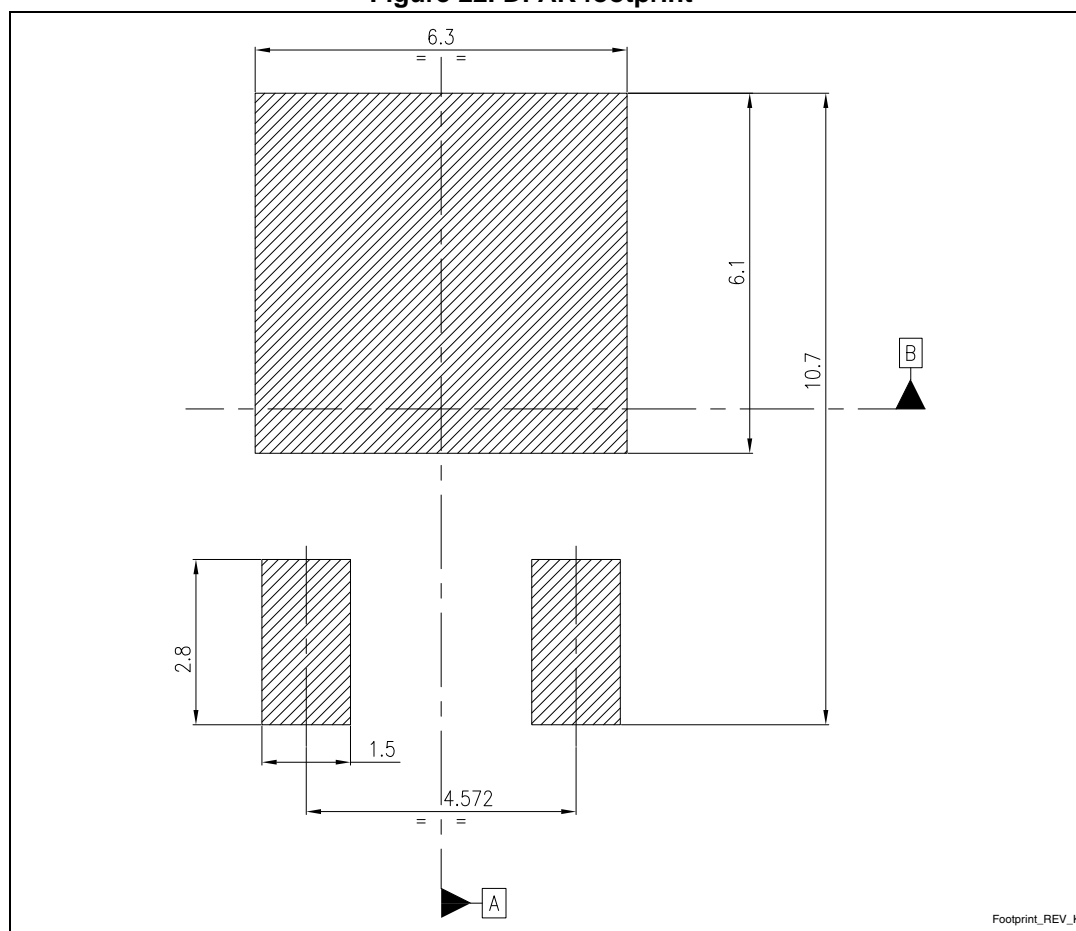
| Dim. | mm | | |
|------|------|------|-------|
| | Min. | Typ. | Max. |
| A | 2.20 | | 2.40 |
| A1 | 0.90 | | 1.10 |
| A2 | 0.03 | | 0.23 |
| b | 0.64 | | 0.90 |
| b4 | 5.20 | | 5.40 |
| c | 0.45 | | 0.60 |
| c2 | 0.48 | | 0.60 |
| D | 6.00 | | 6.20 |
| D1 | | 5.10 | |
| E | 6.40 | | 6.60 |
| E1 | | 4.70 | |
| e | | 2.28 | |
| e1 | 4.40 | | 4.60 |
| H | 9.35 | | 10.10 |
| L | 1.00 | | 1.50 |
| (L1) | | 2.80 | |
| L2 | | 0.80 | |
| L4 | 0.60 | | 1.00 |
| R | | 0.20 | |
| V2 | 0° | | 8° |

Figure 21. DPAK (TO-252) drawing



0068772_K

Figure 22. DPAK footprint (a)

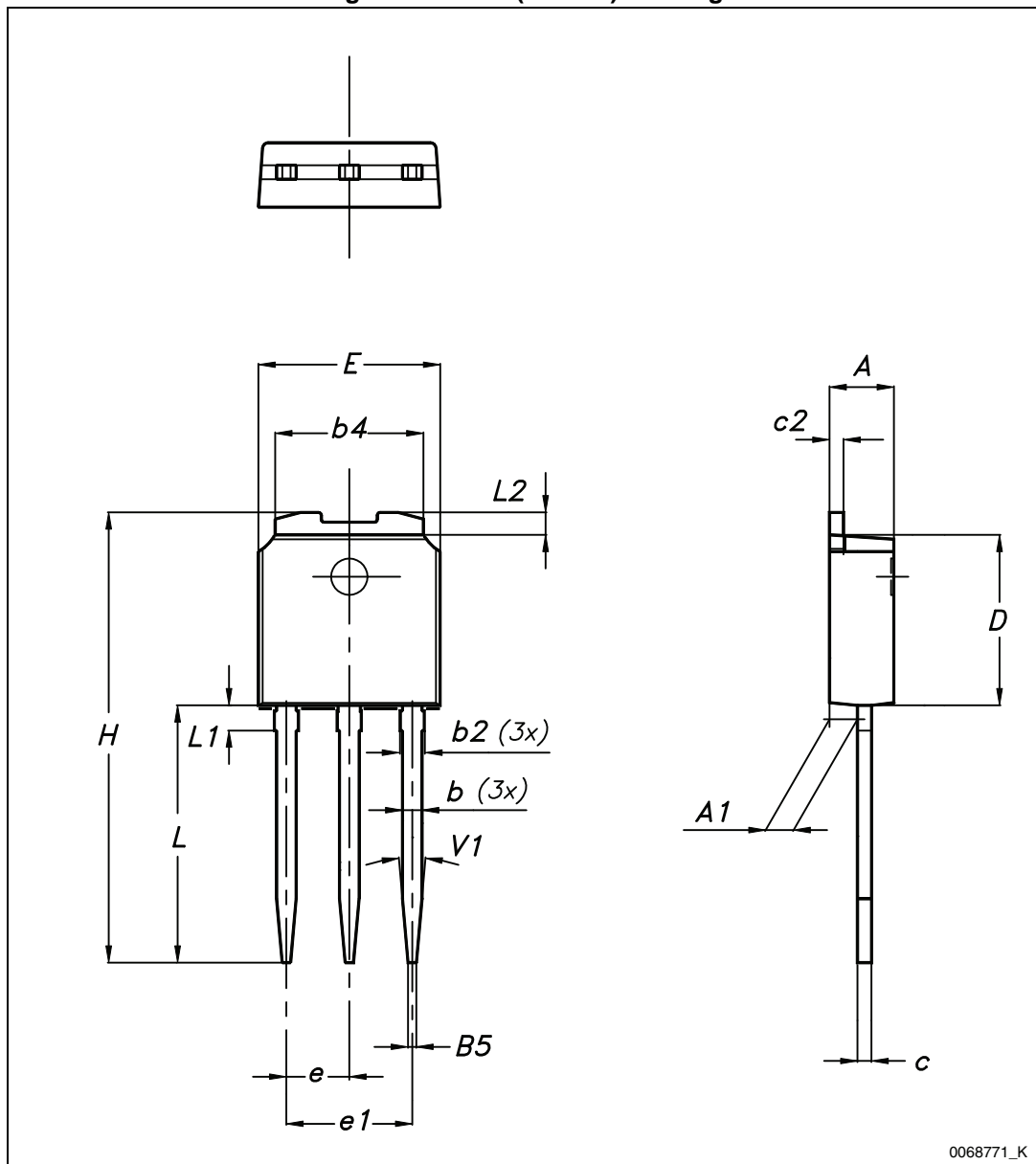


a. All dimensions are in millimeters

Table 10. IPAK (TO-251) mechanical data

| DIM | mm. | | |
|-----|------|-------|------|
| | min. | typ. | max. |
| A | 2.20 | | 2.40 |
| A1 | 0.90 | | 1.10 |
| b | 0.64 | | 0.90 |
| b2 | | | 0.95 |
| b4 | 5.20 | | 5.40 |
| B5 | | 0.30 | |
| c | 0.45 | | 0.60 |
| c2 | 0.48 | | 0.60 |
| D | 6.00 | | 6.20 |
| E | 6.40 | | 6.60 |
| e | | 2.28 | |
| e1 | 4.40 | | 4.60 |
| H | | 16.10 | |
| L | 9.00 | | 9.40 |
| L1 | 0.80 | | 1.20 |
| L2 | | 0.80 | 1.00 |
| V1 | | 10° | |

Figure 23. IPAK (TO-251) drawing



5 Packaging mechanical data

Table 11. DPAK (TO-252) tape and reel mechanical data

| Tape | | | Reel | | |
|------|------|------|-----------|------|------|
| Dim. | mm | | Dim. | mm | |
| | Min. | Max. | | Min. | Max. |
| A0 | 6.8 | 7 | A | | 330 |
| B0 | 10.4 | 10.6 | B | 1.5 | |
| B1 | | 12.1 | C | 12.8 | 13.2 |
| D | 1.5 | 1.6 | D | 20.2 | |
| D1 | 1.5 | | G | 16.4 | 18.4 |
| E | 1.65 | 1.85 | N | 50 | |
| F | 7.4 | 7.6 | T | | 22.4 |
| K0 | 2.55 | 2.75 | | | |
| P0 | 3.9 | 4.1 | Base qty. | | 2500 |
| P1 | 7.9 | 8.1 | Bulk qty. | | 2500 |
| P2 | 1.9 | 2.1 | | | |
| R | 40 | | | | |
| T | 0.25 | 0.35 | | | |
| W | 15.7 | 16.3 | | | |

Figure 24. Tape for DPAK (TO-252)

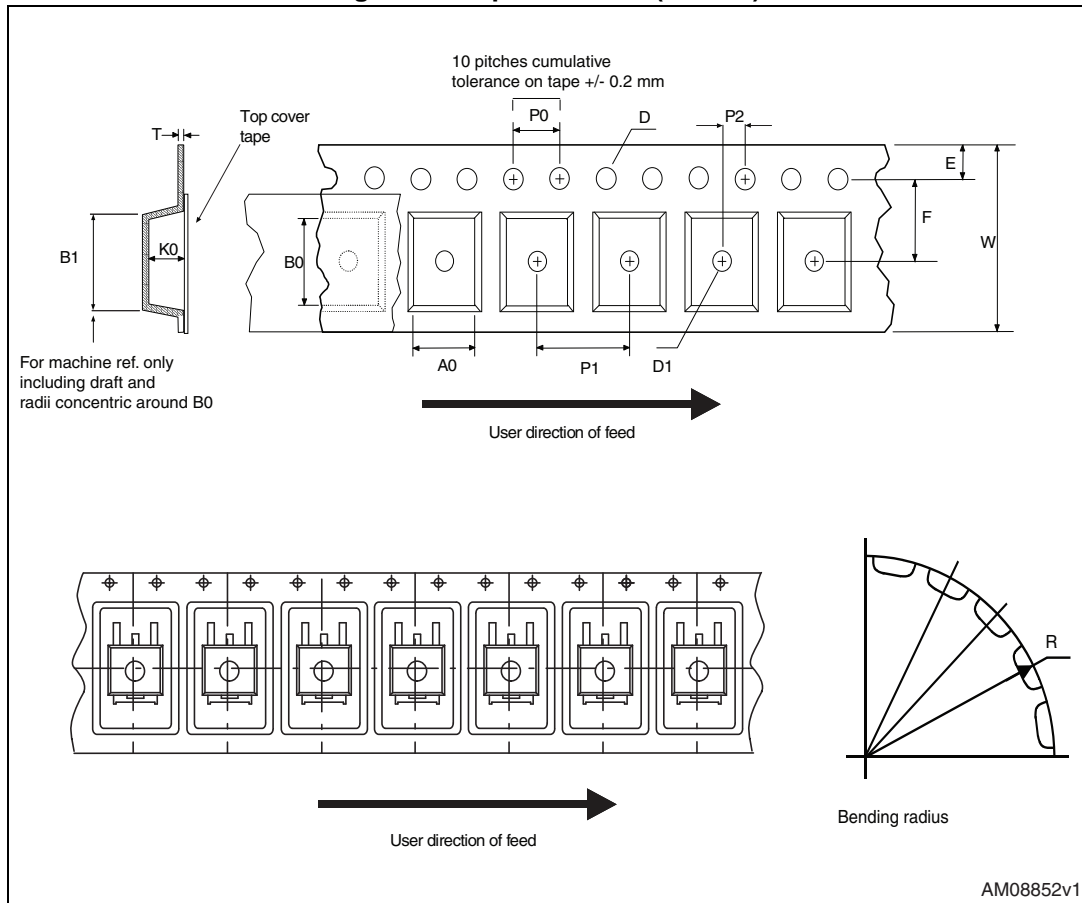
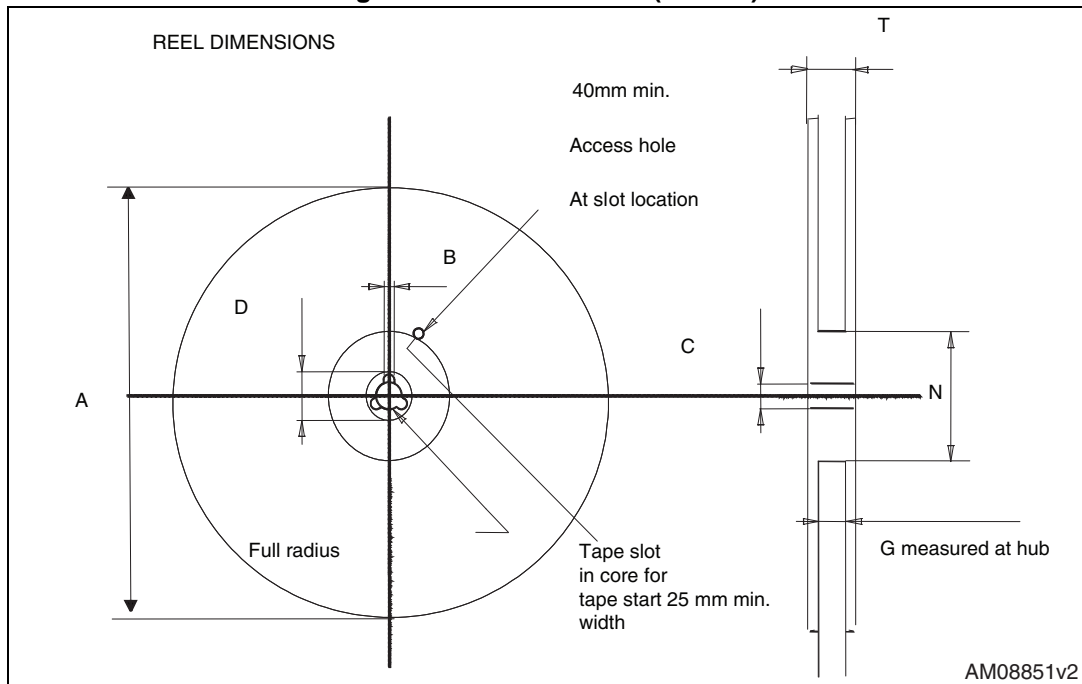


Figure 25. Reel for DPAK (TO-252)



6 Revision history

Table 12. Document revision history

| Date | Revision | Changes |
|-------------|----------|----------------|
| 09-Apr-2013 | 1 | First release. |

Please Read Carefully:

Information in this document is provided solely in connection with ST products. STMicroelectronics NV and its subsidiaries ("ST") reserve the right to make changes, corrections, modifications or improvements, to this document, and the products and services described herein at any time, without notice.

All ST products are sold pursuant to ST's terms and conditions of sale.

Purchasers are solely responsible for the choice, selection and use of the ST products and services described herein, and ST assumes no liability whatsoever relating to the choice, selection or use of the ST products and services described herein.

No license, express or implied, by estoppel or otherwise, to any intellectual property rights is granted under this document. If any part of this document refers to any third party products or services it shall not be deemed a license grant by ST for the use of such third party products or services, or any intellectual property contained therein or considered as a warranty covering the use in any manner whatsoever of such third party products or services or any intellectual property contained therein.

UNLESS OTHERWISE SET FORTH IN ST'S TERMS AND CONDITIONS OF SALE ST DISCLAIMS ANY EXPRESS OR IMPLIED WARRANTY WITH RESPECT TO THE USE AND/OR SALE OF ST PRODUCTS INCLUDING WITHOUT LIMITATION IMPLIED WARRANTIES OF MERCHANTABILITY, FITNESS FOR A PARTICULAR PURPOSE (AND THEIR EQUIVALENTS UNDER THE LAWS OF ANY JURISDICTION), OR INFRINGEMENT OF ANY PATENT, COPYRIGHT OR OTHER INTELLECTUAL PROPERTY RIGHT.

ST PRODUCTS ARE NOT AUTHORIZED FOR USE IN WEAPONS. NOR ARE ST PRODUCTS DESIGNED OR AUTHORIZED FOR USE IN: (A) SAFETY CRITICAL APPLICATIONS SUCH AS LIFE SUPPORTING, ACTIVE IMPLANTED DEVICES OR SYSTEMS WITH PRODUCT FUNCTIONAL SAFETY REQUIREMENTS; (B) AERONAUTIC APPLICATIONS; (C) AUTOMOTIVE APPLICATIONS OR ENVIRONMENTS, AND/OR (D) AEROSPACE APPLICATIONS OR ENVIRONMENTS. WHERE ST PRODUCTS ARE NOT DESIGNED FOR SUCH USE, THE PURCHASER SHALL USE PRODUCTS AT PURCHASER'S SOLE RISK, EVEN IF ST HAS BEEN INFORMED IN WRITING OF SUCH USAGE, UNLESS A PRODUCT IS EXPRESSLY DESIGNATED BY ST AS BEING INTENDED FOR "AUTOMOTIVE, AUTOMOTIVE SAFETY OR MEDICAL" INDUSTRY DOMAINS ACCORDING TO ST PRODUCT DESIGN SPECIFICATIONS. PRODUCTS FORMALLY ESCC, QML OR JAN QUALIFIED ARE DEEMED SUITABLE FOR USE IN AEROSPACE BY THE CORRESPONDING GOVERNMENTAL AGENCY.

Resale of ST products with provisions different from the statements and/or technical features set forth in this document shall immediately void any warranty granted by ST for the ST product or service described herein and shall not create or extend in any manner whatsoever, any liability of ST.

ST and the ST logo are trademarks or registered trademarks of ST in various countries.

Information in this document supersedes and replaces all information previously supplied.

The ST logo is a registered trademark of STMicroelectronics. All other names are the property of their respective owners.

© 2013 STMicroelectronics - All rights reserved

STMicroelectronics group of companies

Australia - Belgium - Brazil - Canada - China - Czech Republic - Finland - France - Germany - Hong Kong - India - Israel - Italy - Japan - Malaysia - Malta - Morocco - Philippines - Singapore - Spain - Sweden - Switzerland - United Kingdom - United States of America

www.st.com

