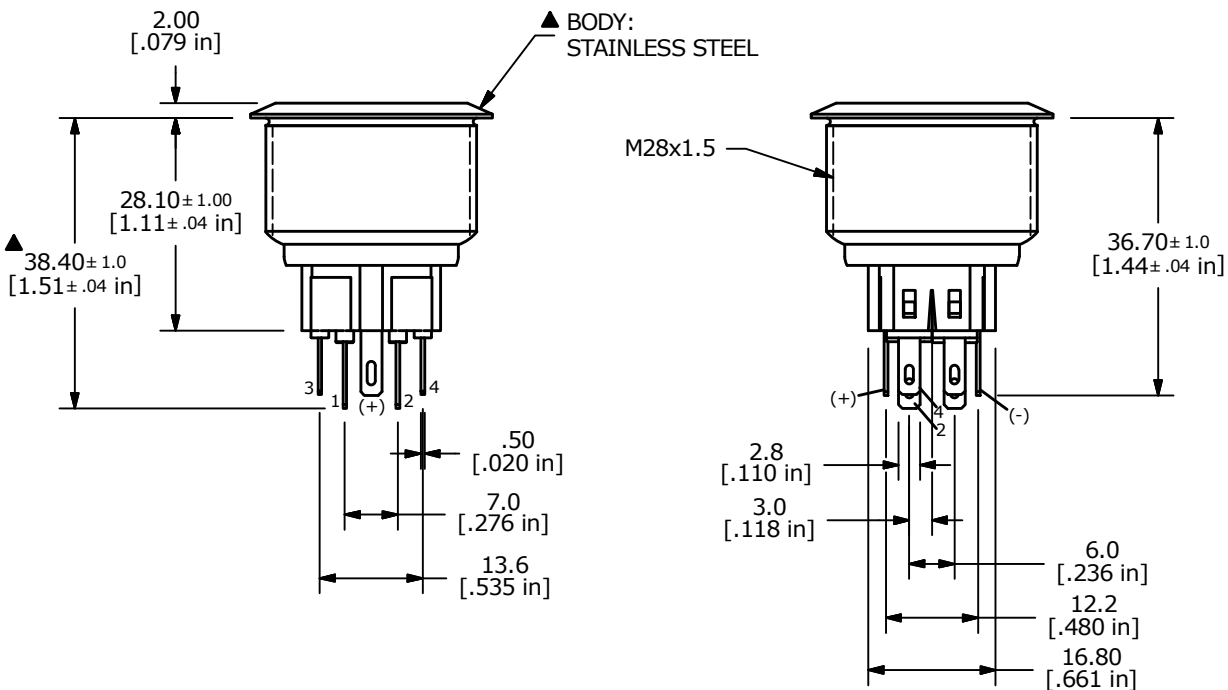
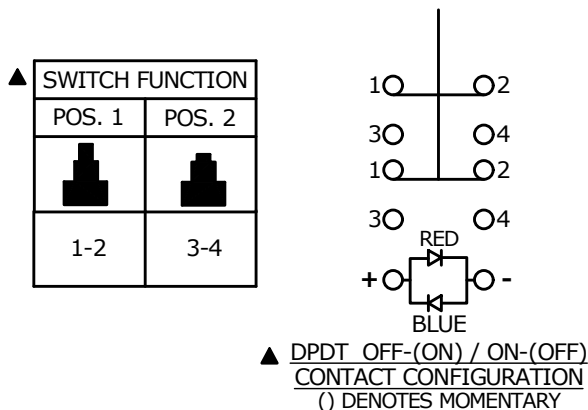
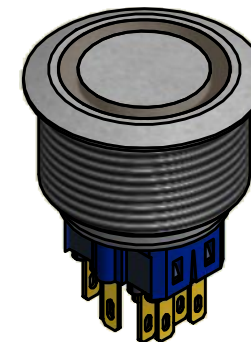
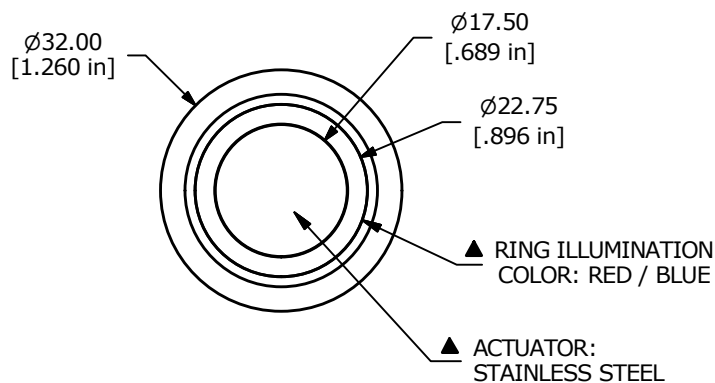


PANEL CUTOUT
MAX. PANEL THICKNESS 10mm



NOTE:

1. ALL DIMENSIONS IN MM [INCH]
2. GENERAL TOLERANCE: X.X = ± 0.4
X.XX = ± 0.25
3. TERMINAL NOS. FOR REF. ONLY
4. RATING: 2A @ 48VDC
5. CONTACT RESISTANCE: 50mΩ MAX. @ 1A 12VDC
6. INSULATION RESISTANCE: 1,000MΩ @ 500VDC
7. DIELECTRIC STRENGTH: 2,000VAC MIN. FOR 1 MINUTE
8. ELECTRICAL LIFE: 50,000 CYCLES
9. OPERATING TEMPERATURE: -20°C TO 55°C
10. INGRESS PROTECTION: IP65
11. ▲ DENOTES CRITICAL PARAMETER
12. 2002/95/EC (ROHS) COMPLIANT
- ▲ 13. SUPPLIED HARDWARE: O-RING AND HEXNUT
- ▲ 14. ILLUMINATION COLOR: RED (FORWARD), BLUE (REVERSE)
- ▲ 15. ILLUMINATION VOLTAGE: 1.8V FORWARD, 2.8V REVERSE



| | | | | |
|---------------------|----------------|-------|---------------------|-------|
| TITLE PV9F2V0SS-3H1 | | | | |
| SCALE 1:1 | DATE 7/10/2015 | DR MW | DWG 52-PV9F2V0SS3H1 | REV A |

| | | | | |
|-----|--------|------------------------|---------|----|
| A | 21909 | RELEASE FOR PRODUCTION | 7/10/15 | MW |
| REV | PCR NO | DESCRIPTION | DATE | BY |

THE INFORMATION CONTAINED IN THIS DOCUMENT IS PROPRIETARY TO E-SWITCH AND IS NOT TO BE COPIED OR TRANSFERRED