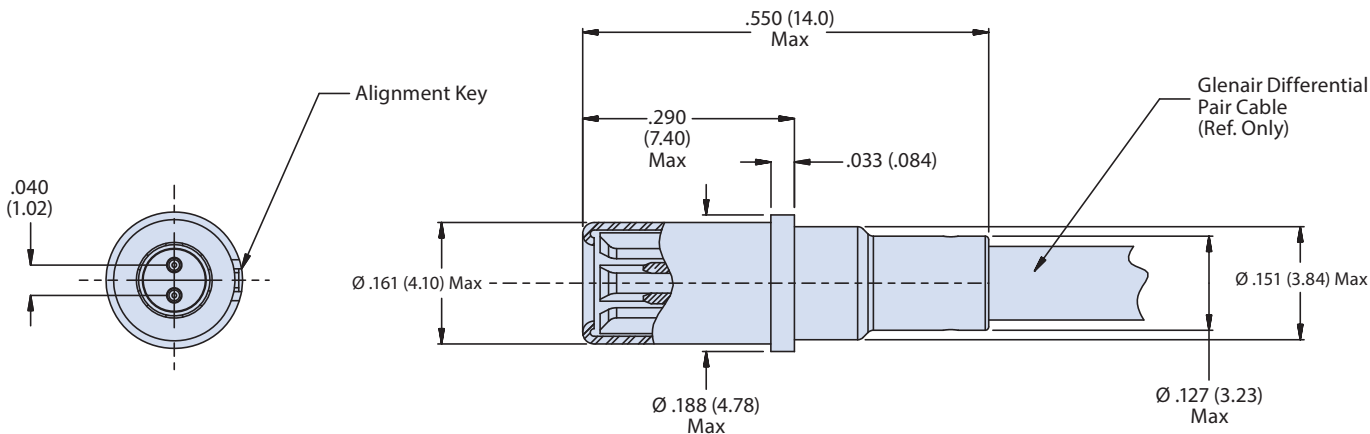


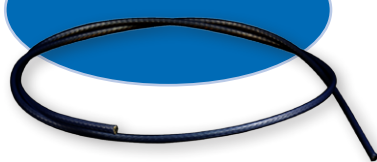
**Size #12 Differential Twinax Socket Contact for Multi-Gigabit Data Rate Applications**


These solder terminated #12 twinax socket contacts accept 100 ohm twinax cable. Current rating is 1 Amp. DWV rating is 500 Vac rms sea level, 125 Vac at 70,000 feet. Contacts are packaged individually and shipped unassembled with instruction sheet. One contact consists of outer contact and center contact. All contacts are gold-plated copper alloy. 5000 megohm insulation resistance at 200Vdc. Mates with: 853-016. Ideally suited for multi-gigabit data rate applications such as 1000 Base-T gigabit ethernet.

Type	Glenair Part No.	Military Part No.	AWG Wire Size	Cable Accommodation	Impedance	Frequency Range	VSWR	Insertion Loss
Socket	853-015-01	N/A	30	963-102-30	100-Ohms Nominal	DC to 10 GHz	1.1 + (.03 * F GHz)	1/3 * F GHz



Designed for use with 853-015-01  
**963-102-30**  
**Differential Pair Cable**


**Material and Finish**

Contact Body: Copper Alloy/Gold Plated  
 Center Contact: Copper Alloy/Gold Plated

**Electrical Parameters**

Differential Impedance: 100-ohms nominal  
 Frequency Range: DC to 10 GHz  
 VSWR: 1.1+(.03\* F GHz)  
 Insertion Loss: 1/3\* F GHz  
 Dielectric Withstanding Voltage: 500 Vrms  
 Insulation Resistance: 5000 Megohms minimum

**Notes**

Contact is designed to accommodate Glenair P/N 963-102-30 cable.  
 For assembly instructions, see AI85014.  
 Socket contact shall mate with Glenair Pin Contact P/N 853-016-XX.  
 For use in Glenair Mighty Mouse and Series 79 Micro-Crimp connectors only.  
 PCB Tail-equipped contacts also available. Consult factory.