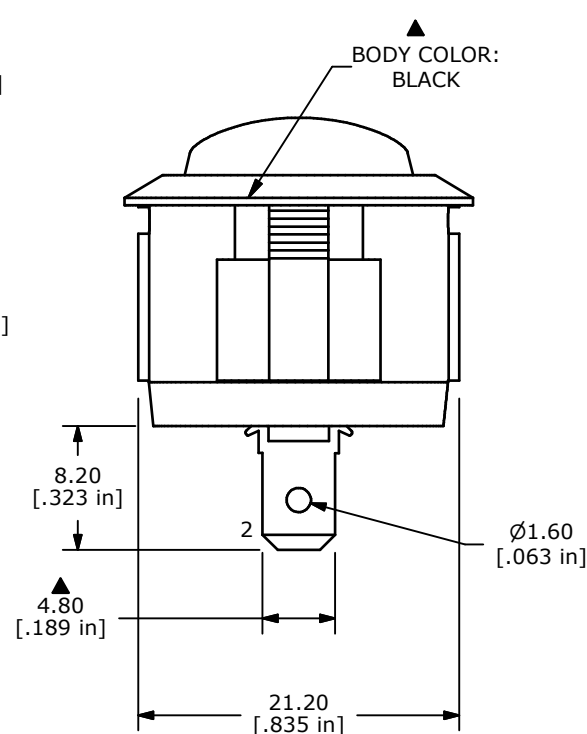
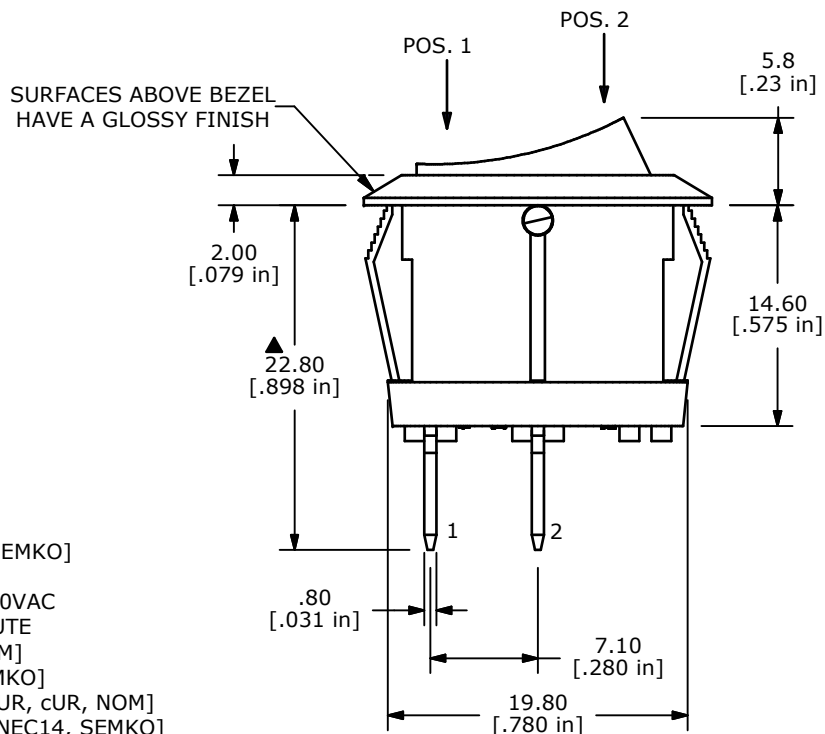
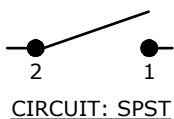
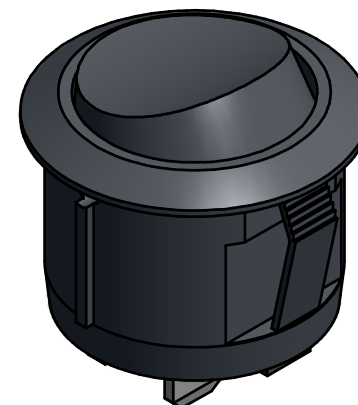
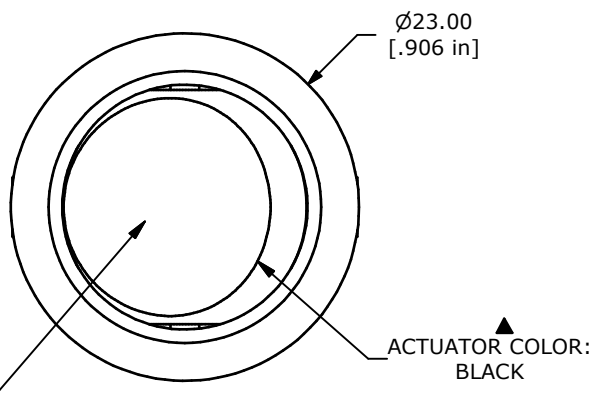


SWITCH FUNCTION	
POS. 1	POS. 2
OFF	(ON)
OPEN	2-1

(ON) = MOMENTARY



- NOTE:
1. DIMENSIONS IN MM [INCH]
  2. GENERAL TOLERANCE: X.X = ± 0.4  
X.XX = ± 0.25
  3. TERMINAL NUMBERS FOR REF ONLY
  4. CONTACT MATERIAL: SILVER
  5. CONTACT RATINGS: 10A @ 125VAC [UR, cUR]  
10A @ 125V~ [NOM]  
6A @ 250V~ [NOM]  
6(2)A @ 250V~ [ENEC14, SEMKO]
  6. CONTACT RESISTANCE: 35mΩ MAX. @ 50VAC
  7. INSULATION RESISTANCE: 1000MΩ MIN. @ 500VAC
  8. DIELECTRIC STRENGTH: 1,500VAC FOR 1 MINUTE
  9. ELECTRICAL LIFE: 6,000 CYCLES [UR, cUR, NOM]  
10,000 CYCLES [ENEC14, SEMKO]
  10. OPERATING TEMPERATURE: -20°C TO 105°C [UR, cUR, NOM]  
-20°C TO 125°C [ENEC14, SEMKO]
  11. ▲ DENOTES CRITICAL PARAMETER
  12. 2002/95/EC (ROHS) COMPLIANT



TITLE RRG31431100				
SCALE	DATE 6/20/2014	DR EBP	DWG 38-RRG31431100	REV A

A	21487	RELEASE FOR PRODUCTION	6/20/14	EBP
REV	PCR NO	DESCRIPTION	DATE	BY

THE INFORMATION CONTAINED IN THIS DOCUMENT IS PROPRIETARY TO E-SWITCH AND IS NOT TO BE COPIED OR TRANSFERRED