

# SPECIFICATION FOR LCD MODULE

Model No. TM320240EBC

|                      |              |
|----------------------|--------------|
| <b>Prepared by:</b>  | <b>Date:</b> |
| <b>Checked by :</b>  | <b>Date:</b> |
| <b>Verified by :</b> | <b>Date:</b> |
| <b>Approved by:</b>  | <b>Date:</b> |

**TIANMA MICROELECTRONICS CO., LTD**

**REVISION RECORD**

| <b>Date</b> | <b>Ref. Page</b> | <b>Revision No.</b> | <b>Revision Items</b> | <b>Check &amp; Approval</b> |
|-------------|------------------|---------------------|-----------------------|-----------------------------|
|             |                  |                     |                       |                             |

## **1 General Specifications:**

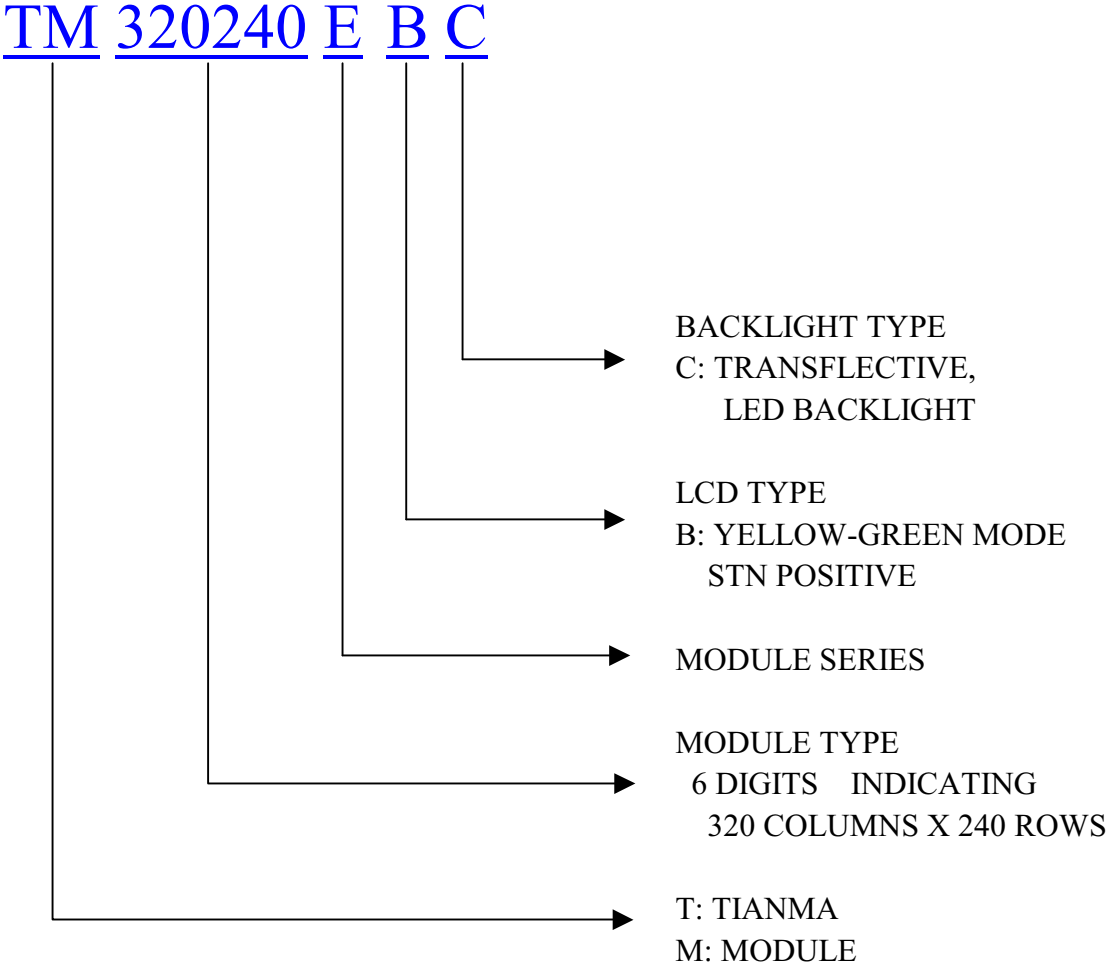
- 1.1 Display type: STN
- 1.2 Display color\*:
  - Display color: Blue-Black
  - Background: Yellow-Green
- 1.3 Polarizer mode: Transflective/Positive
- 1.4 Viewing Angle: 6:00
- 1.5 Driving Method: 1/240 Duty 1/16 Bias
- 1.6 Backlight: LED

\* Color tone is slightly changed by temperature and driving voltage.

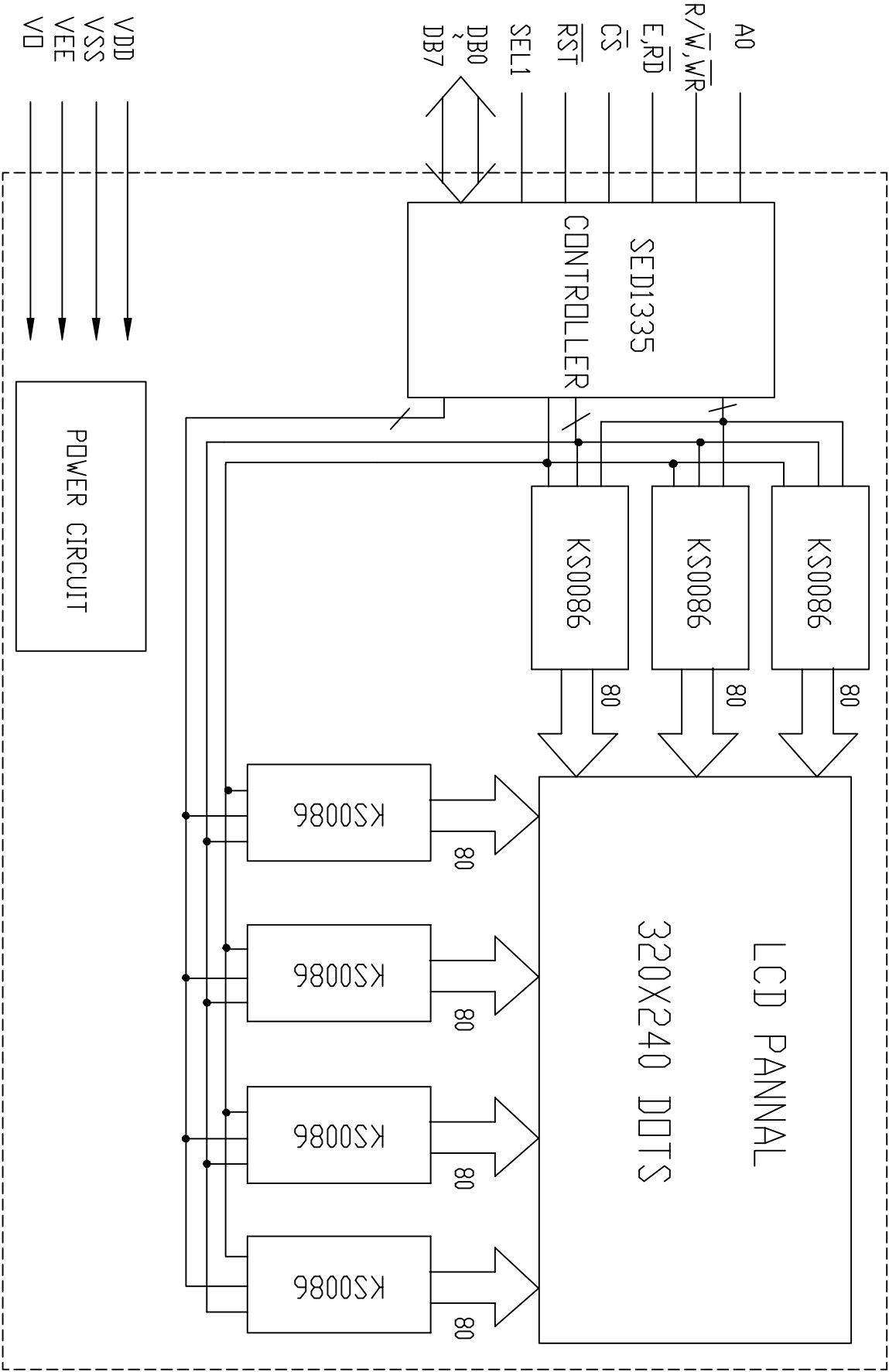
- 1.7 Controller: SED1335F
- 1.8 Data Transfer: 8 Bit Parallel
- 1.9 Operating Temperature: 0----+50°C
  - Storage Temperature: -20----+60°C
- 1.10 Outline Dimensions: Refer to outline drawing on next page
- 1.11 Dot Matrix: 320 X 240 Dots
- 1.12 Dot Size: 0.33X0.33(mm)
- 1.13 Dot Pitch: 0.36X0.36 (mm)
- 1.14 Weight: 220g



### 3 LCD Module Part Numbering System



### 4 Circuit Block Diagram



## 5 Absolute Maximum Ratings

| Item                        | Symbol          | Min. | Max. | Unit | Remark             |
|-----------------------------|-----------------|------|------|------|--------------------|
| Power Supply Voltage        | $V_{DD}-V_{SS}$ | -0.3 | 6.0  | V    |                    |
| LCD Driving Voltage         | $V_{LCD}$       | -    | 28.0 |      |                    |
| Operating Temperature Range | $T_{OP}$        | 0    | +50  | °C   | No<br>Condensation |
| Storage Temperature Range   | $T_{ST}$        | -20  | +60  |      |                    |

## 6 Electrical Specifications and Instruction Code

### 6.1 Electrical characteristics

| Item                          |      | Symbol                               | Min.        | Typ. | Max.         | Unit |
|-------------------------------|------|--------------------------------------|-------------|------|--------------|------|
| Supply Voltage<br>(Logic)     |      | $V_{DD}-V_{SS}$                      | 4.75        | 5.0  | 5.25         | V    |
| Supply Voltage<br>(LCD Drive) |      | $V_{LCD}$                            | -           | 22.6 | -            | V    |
| Input<br>Signal<br>Voltage    | High | $V_{IH}$<br>( $V_{DD}=5.0$ )         | $0.8V_{DD}$ | -    | $V_{DD}+0.3$ | V    |
|                               | Low  | $V_{IL}$<br>( $V_{DD}=5.0$ )         | 0           | -    | $0.2 V_{DD}$ | V    |
| Supply current<br>(Logic)     |      | $I_{DD}$<br>( $V_{DD}-V_{SS}=5.0V$ ) | -           | -    | 25.0         | mA   |
| Supply current<br>(LCD Drive) |      | $I_{EE}$                             | -           | -    | 5.0          | mA   |
| Supply current<br>(LED)       |      | $I_{LED}$                            | -           | -    | 240          | mA   |

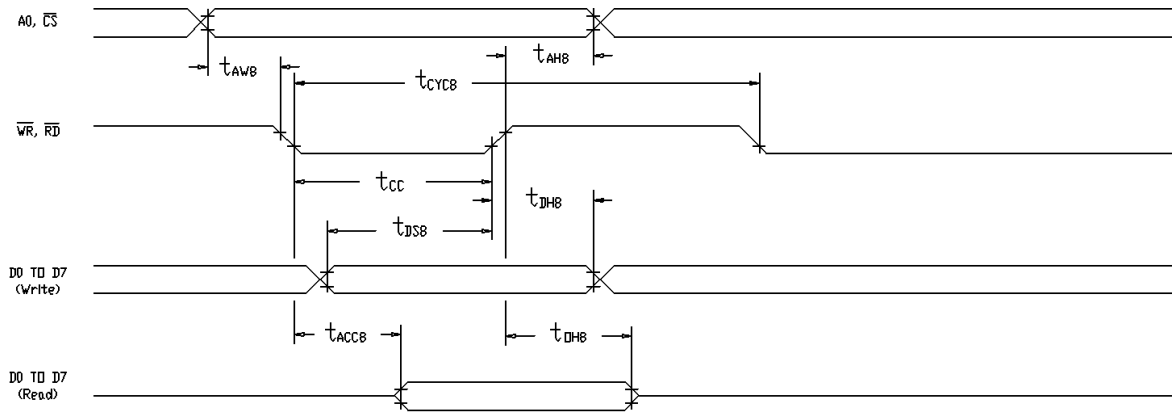


## 6.2 Interface Signals

| Pin No. | Symbol                              | Level  | Description   |
|---------|-------------------------------------|--------|---|
| 1       | VSS                                 | 0V     | Ground  |
| 2       | VDD                                 | 5.0V   | Power supply voltage for logic and LCD(+)                           |
| 3       | V0                                  | -17.6V | Power supply voltage for LCD(-)                                     |
| 4       | A0                                  | H/L    | Data type selection   |
| 5       | R/ $\overline{W}$ , $\overline{WR}$ | H/L    | 68 series R/ $\overline{W}$ signal<br>80 series Write strobe signal |
| 6       | E, $\overline{RD}$                  | H/L    | 68 series E clock<br>80 series Read strobe signal                   |
| 7       | DB0                                 | H/L    | Data bit0   |
| 8       | DB1                                 | H/L    | Data bit1   |
| 9       | DB2                                 | H/L    | Data bit2   |
| 10      | DB3                                 | H/L    | Data bit3   |
| 11      | DB4                                 | H/L    | Data bit4   |
| 12      | DB5                                 | H/L    | Data bit5   |
| 13      | DB6                                 | H/L    | Data bit6   |
| 14      | DB7                                 | H/L    | Data bit7   |
| 15      | $\overline{CS}$                     | L      | Chip select signal  |
| 16      | $\overline{RET}$                    | L      | Reset signal  |
| 17      | VEE                                 | -19.7V | DC-DC voltage Output  |
| 18      | SEL1                                | H/L    | MPU interface format selection                                      |
| 19~22   | NC                                  |        |   |
| -       | A                                   | 4.2V   | LED Backlight power supply(+)                                       |
| -       | K                                   | 0      | LED Backlight power supply(-)                                       |

## 6.3 Interface Timing Chart

### 8080 family interface timing



$T_a = -20$  to  $75$  deg. C

| Signal                         | Symbol     | Parameter                   | $V_{DD}=4.5$ to $5.5V$ |     | $V_{DD}=2.7$ to $5.5V$ |     | Unit | Condition |
|--------------------------------|------------|-----------------------------|------------------------|-----|------------------------|-----|------|-----------|
|                                |            |                             | min                    | max | min                    | max |      |           |
| A0, $\overline{CS}$            | $t_{AH8}$  | Address hold time           | 10                     | -   | 10                     | -   | ns   | CL=100pF  |
|                                | $t_{AW8}$  | Address setup time          | 0                      | -   | 0                      | -   | ns   |           |
| $\overline{WR}, \overline{RD}$ | $t_{CYC8}$ | System cycle time           | See note.              | -   | See note.              | -   | ns   |           |
|                                | $t_{CC}$   | Strobe pulsewidth           | 120                    | -   | 150                    | -   | ns   |           |
| D0 to D7                       | $t_{DS8}$  | Data setup time             | 120                    | -   | 120                    | -   | ns   |           |
|                                | $t_{DHB}$  | Data hold time              | 5                      | -   | 5                      | -   | ns   |           |
|                                | $t_{ACC8}$ | $\overline{RD}$ access time | -                      | 50  | -                      | 80  | ns   |           |
|                                | $t_{OH8}$  | Output disable time         | 10                     | 50  | 10                     | 55  | ns   |           |

Note

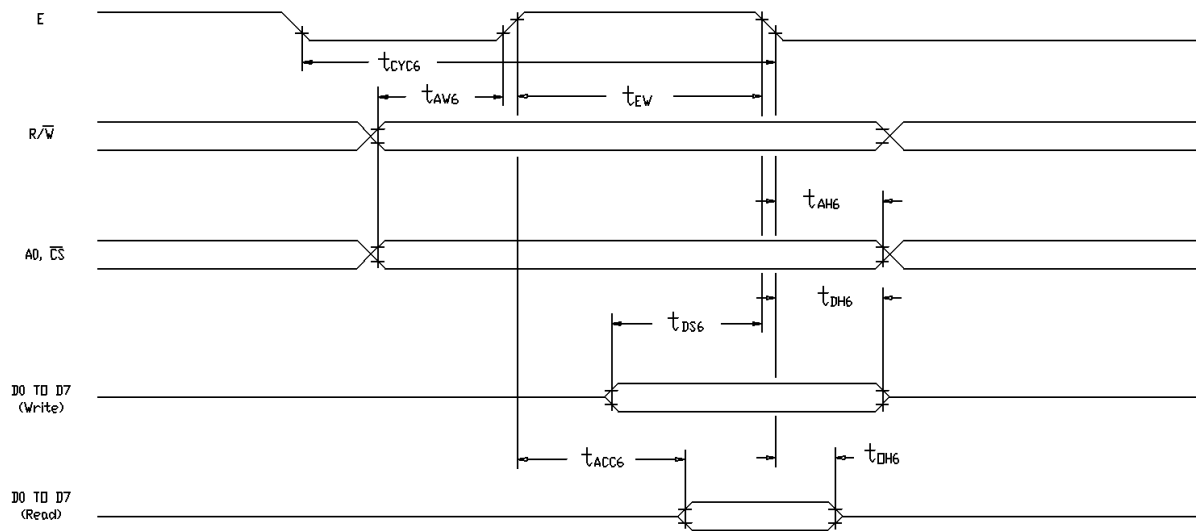
For memory control and system control commands:

$$t_{CYC8} = 2 t_C + t_{CC} + t_{CEA} + 75 > t_{ACV} + 245$$

for all other commands:

$$t_{CYC8} = 4 t_C + t_{CC} + 30$$

## 6800 family interface timing



Note

$t_{CYC6}$  indicates the interval during which CS is LOW and E is HIGH

Ta=-20 to 75 deg. C

| Signal              | Symbol     | Parameter           | $V_{DD}=4.5$ to $5.5V$ |     | $V_{DD}=2.7$ to $5.5V$ |     | Unit | Condition |
|---------------------|------------|---------------------|------------------------|-----|------------------------|-----|------|-----------|
|                     |            |                     | min                    | Max | min                    | max |      |           |
| A0, $\overline{CS}$ | $t_{CYC6}$ | System cycle time   | See note.              | -   | See note.              | -   | ns   | CL=100pF  |
|                     | $t_{AW6}$  | Address setup time  | 0                      | -   | 10                     | -   | ns   |           |
| $\overline{R/W}$    | $t_{AH6}$  | Address hold time   | 0                      | -   | 0                      | -   | ns   |           |
| D0 to D7            | $t_{DS6}$  | Data setup time     | 100                    | -   | 120                    | -   | ns   |           |
|                     | $t_{DH6}$  | Data hold time      | 0                      | -   | 0                      | -   | ns   |           |
|                     | $t_{OH6}$  | Output disable time | 10                     | 50  | 10                     | 75  | ns   |           |
|                     | $t_{ACC6}$ | Access time         | -                      | 85  | -                      | 130 | ns   |           |
| E                   | $t_{EW}$   | Enable pulsewidth   | 120                    | -   | 150                    | -   | ns   |           |

Note

For memory control and system control commands:

$$t_{CYC8} = 2 t_C + t_{CC} + t_{CEA} + 75 > t_{ACV} + 245$$

for all other commands:

$$t_{CYC8} = 4 t_C + t_{EW} + 30$$

## 6.4 Instruction Code

| Class           | Command     | Code |    |    |    |    |    |    |    |    |    |    | Command description                             | Number of Bytes               |   |
|-----------------|-------------|------|----|----|----|----|----|----|----|----|----|----|---|-------------------------------|---|
|                 |             | RD   | WR | A0 | D7 | D6 | D5 | D4 | D3 | D2 | D1 | D0 |   |                               |   |
| System control  | SYSTEM SET  | 1    | 0  | 1  | 0  | 1  | 0  | 0  | 0  | 0  | 0  | 0  | 0   | Initialize device and display | 8 |
|                 | SLEEP IN    | 1    | 0  | 1  | 0  | 1  | 0  | 1  | 0  | 0  | 1  | 1  | 0   | Enter standby mode            | 0 |
| Display control | DISP ON/OFF | 1    | 0  | 1  | 0  | 1  | 0  | 1  | 1  | 0  | 0  | D  | Enable and disable display and display flashing | 1                             |   |
|                 | SCROLL      | 1    | 0  | 1  | 0  | 1  | 0  | 0  | 0  | 1  | 0  | 0  | Set display start address and display regions   | 10                            |   |
|                 | CSRFORM     | 1    | 0  | 1  | 0  | 1  | 0  | 1  | 1  | 1  | 0  | 1  | Set cursor type                                 | 2                             |   |
|                 | CGRAM ADR   | 1    | 0  | 1  | 0  | 1  | 0  | 1  | 1  | 1  | 0  | 0  | Set start address of character generator RAM    | 2                             |   |
|                 | CSRDIR      | 1    | 0  | 1  | 0  | 1  | 0  | 0  | 1  | 1  | CD | CD | Set direction of cursor movement                | 0                             |   |
|                 | HDOT SCR    | 1    | 0  | 1  | 0  | 1  | 0  | 1  | 1  | 0  | 1  | 0  | Set horizontal scroll position                  | 1                             |   |
|                 | OVLAY       | 1    | 0  | 1  | 0  | 1  | 0  | 1  | 1  | 0  | 1  | 1  | Set display overlay format                      | 1                             |   |
| Drawing control | CSRW        | 1    | 0  | 1  | 0  | 1  | 0  | 0  | 0  | 1  | 1  | 0  | Set cursor address                              | 2                             |   |
|                 | CSRR        | 0    | 1  | 1  | 0  | 1  | 0  | 0  | 0  | 1  | 1  | 1  | Read cursor address                             | 2                             |   |
| Memory control  | MWRITE      | 1    | 0  | 1  | 0  | 1  | 0  | 0  | 0  | 0  | 1  | 0  | Write to display memory                         | -                             |   |
|                 | MREAD       | 0    | 1  | 1  | 0  | 1  | 0  | 0  | 0  | 0  | 1  | 1  | Read from display memory                        | -                             |   |

### Notes

- In general, the internal registers of the SED1335F/1336F are modified as each command parameter is input. However, the microprocessor does not have to set all the parameters of a command and may send a new command before all parameters have been input. The internal registers for the parameters that have been input will have been changed but the remaining parameter registers are unchanged.  
2-byte parameters (where two bytes are treated as 1 data item) are handled as follows:
  - CSRW, CSRR: Each byte is processed individually. The microprocessor may read or write just the low byte of the cursor address.
  - SYSTEM SET, SCROLL, CGRAM ADR: Both parameter bytes are processed together. If the command is changed after half of the parameters has been input, the single byte is ignored.
- APL and APH are 2-byte parameters, but are treated as two 1-byte parameters.

## 6.5 Character Code Table

|   |   | Lower 4 bit (D0 to D3) of Character code (Hexadecimal) |   |   |   |    |   |   |   |   |   |   |   |   |   |   |   |
|---|---|--|---|---|---|----|---|---|---|---|---|---|---|---|---|---|---|
|   |   | 0  | 1 | 2 | 3 | 4  | 5 | 6 | 7 | 8 | 9 | A | B | C | D | E | F |
| Higher 4 bit (D4 to D7) of Character Code (Hexadecimal) | 2 |  | ! | " | # | \$ | % | & | ' | ( | ) | * | + | , | - | . | / |
|   | 3 | 0  | 1 | 2 | 3 | 4  | 5 | 6 | 7 | 8 | 9 | : | ; | < | = | > | ? |
|   | 4 | @  | A | B | C | D  | E | F | G | H | I | J | K | L | M | N | O |
|   | 5 | P  | Q | R | S | T  | U | V | W | X | Y | Z | [ | ] | ^ | _ |   |
|   | 6 | '  | a | b | c | d  | e | f | g | h | i | j | k | l | m | n | o |
|   | 7 | p  | q | r | s | t  | u | v | w | x | y | z | { | } | ~ |   |   |
|   | A | あ  | い | う | え | お  | か | き | く | け | こ | け | さ | し | す | せ | そ |
|   | B | た  | ち | つ | て | と  | な | に | ぬ | ね | の | ひ | ふ | ぶ | ふ | へ | へ |
|   | C | ま  | み | む | め | も  | や | ゆ | よ | ら | り | る | ろ | る | わ | を | を |
|   | D | ん  | ん | ん | ん | ん  | ん | ん | ん | ん | ん | ん | ん | ん | ん | ん | ん |
|   | 1 |  |   |   |   |    |   |   |   |   |   |   |   |   |   |   |   |

## 7 Optical Characteristics

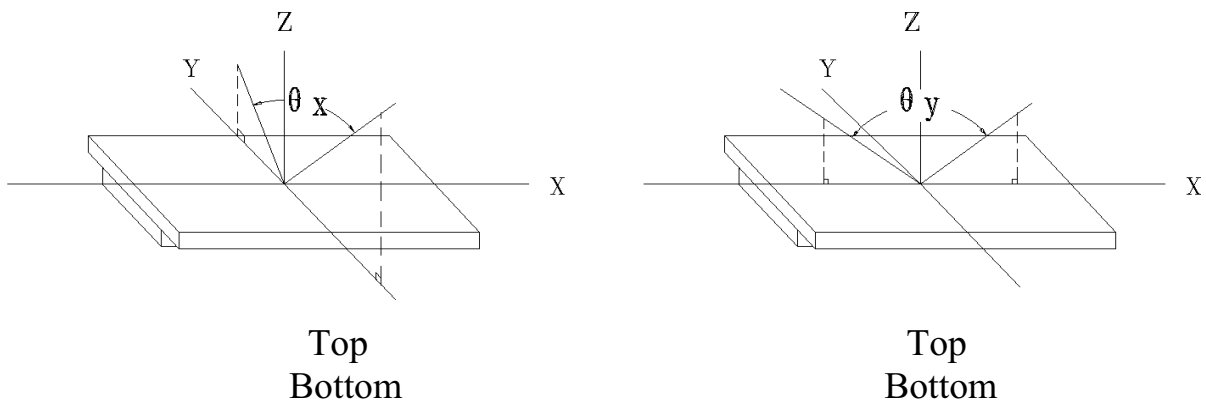
### 7.1 Optical Characteristics

Ta=25°C

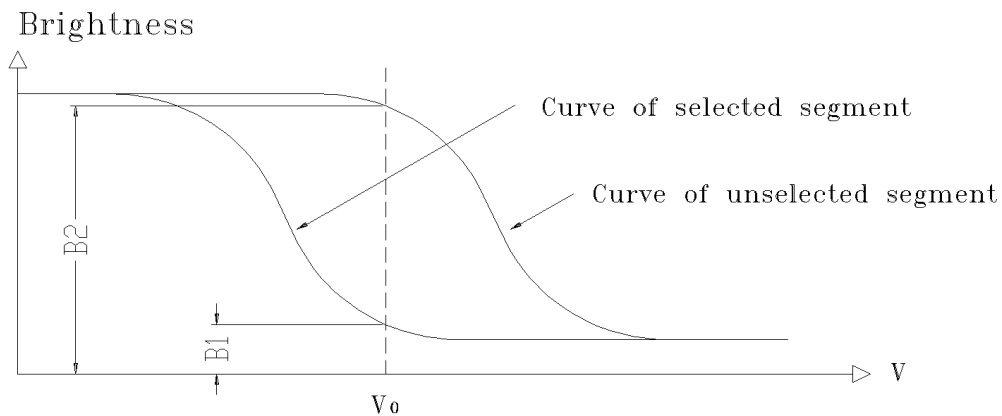
| Item           | Symbol     | Condition                                    | Min.   | Typ.                 | Max. | Unit |     |
|----------------|------------|--|--|----------------------|------|------|-----|
| Viewing Angle  | $\theta_x$ | $C_r \geq 2$                                 | $\theta_y = 0^\circ$                         | -30                  | --   | 20   | Deg |
|                | $\theta_y$ |  |  | $\theta_x = 0^\circ$ | -30  | --   |     |
| Contrast Ratio | $C_r$      | $\theta_x = 0^\circ$<br>$\theta_y = 0^\circ$ | 3.0  |                      | -    | -    |     |
| Response Time  | Turn on    | $T_{on}$                                     | $\theta_x = 0^\circ$<br>$\theta_y = 0^\circ$ | -                    | -    | 350  | ms  |
|                | Turn off   | $T_{off}$                                    |  | -                    | -    | 350  |     |

## 7.2 Definition of Optical Characteristics

### 7.2.1 Definition of Viewing Angle



### 7.2.2 Definition of Contrast Ratio

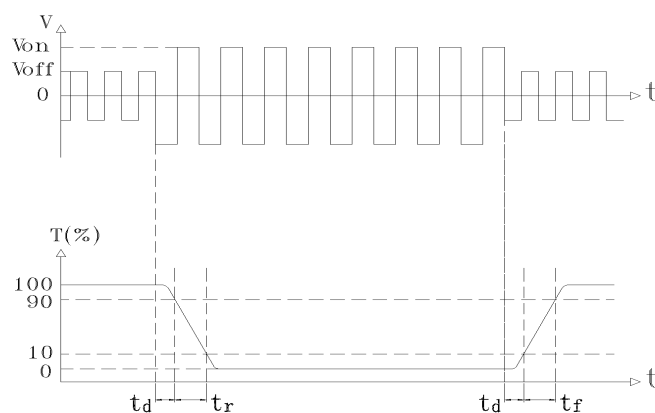


$$\text{Contrast Ratio} = B2/B1 = \frac{\text{unselected state brightness}}{\text{selected state brightness}}$$

Measuring Conditions:

- 1) Ambient Temperature: 25°C ; 2) Frame frequency: 64Hz

### 7.2.3 Definition of Response time



Turn on time:  $t_{on} = t_d + t_r$       Turn off time:  $t_{off} = t_d + t_f$

Measuring Condition:

- 1) Operating Voltage: 22.6V ; 2) Frame frequency: 64Hz

## 8 Reliability

### 8.1 Content of Reliability Test

Ta=25°C

| No. | Test Item                          | Content of Test   | Test condition                                    |
|-----|------------------------------------|---|---|
| 1   | High Temperature Storage           | Endurance test applying the high storage temperature for a long time  | 60°C<br>96H                                       |
| 2   | Low Temperature Storage            | Endurance test applying the low storage temperature for a long time   | -20°C<br>96H                                      |
| 3   | High Temperature Operation         | Endurance test applying the electric stress (voltage & current) and the thermal stress to the element for a long time   | 50°C<br>96H                                       |
| 4   | Low Temperature Operation          | Endurance test applying the electric stress under low temperature for a long time   | 0°C<br>96H  |
| 5   | High Temperature /Humidity Storage | Endurance test applying the high temperature and high humidity storage for a long time  | 40°C<br>90%RH<br>96H                              |
| 6   | Temperature Cycle                  | Endurance test applying the low and high temperature cycle<br>$  \begin{array}{c}  -20^{\circ}\text{C} \longleftrightarrow 25^{\circ}\text{C} \longleftrightarrow 60^{\circ}\text{C} \longleftrightarrow 25^{\circ}\text{C} \\  \begin{array}{cccc}  30\text{min} & 5\text{min} & 30\text{min} & 5\text{min}  \end{array} \\  \longleftarrow \hspace{10em} \longrightarrow \\  \text{1 cycle}  \end{array}  $ | -20°C/60°C<br>10 cycles                           |
| 7   | Vibration Test (package state)     | Endurance test applying the vibration during transportation   | 10Hz~150Hz,<br>50m/s <sup>2</sup> ,<br>40min      |
| 8   | Shock Test (package state)         | Endurance test applying the shock during transportation   | Half- sine wave,<br>100m/s <sup>2</sup> ,<br>11ms |
| 9   | Atmospheric Pressure Test          | Endurance test applying the atmospheric pressure during transportation by air   | 40kPa<br>16H                                      |



## 8.2 Failure Judgment Criterion

| Criterion Item           | Test Item No.  |   |   |   |   |   |   |   |   | Failure Judgement Criterion         |
|--------------------------|--|---|---|---|---|---|---|---|---|-------------------------------------|
|                          | 1  | 2 | 3 | 4 | 5 | 6 | 7 | 8 | 9 |                                     |
| Basic Specification      | √  | √ | √ | √ | √ | √ | √ | √ | √ | Out of the basic Specification      |
| Electrical specification | √  | √ | √ | √ | √ |   |   |   |   | Out of the electrical specification |
| Mechanical Specification |  |   |   |   |   |   | √ | √ |   | Out of the mechanical specification |
| Optical Characteristic   | √  | √ | √ | √ | √ | √ |   |   | √ | Out of the optical specification    |
| Note                     | For test item refer to 8.1   |   |   |   |   |   |   |   |   |                                     |
| Remark                   | Basic specification = Optical specification + Mechanical specification |   |   |   |   |   |   |   |   |                                     |

## 9 QUALITY LEVEL

| Examination or Test   | At $T_a=25^\circ\text{C}$<br>(unless otherwise stated)                                       | Inspection     |      |      |    |                              |
|---|--|----------------|------|------|----|------------------------------|
|   |  | Min.           | Max. | Unit | IL | AQL                          |
| External Visual Inspection  | Under normal illumination and eyesight condition, the distance between eyes and LCD is 25cm. | See Appendix A |      |      | II | Major<br>1.0<br>Minor<br>2.5 |
| Display Defects   | Under normal illumination and eyesight condition, display on inspection.                     | See Appendix B |      |      | II | Major<br>1.0<br>Minor<br>2.5 |
| Note: Major defects: Open segment or common, Short, Serious damages, Leakage<br>Miner defects: Others<br>Sampling standard conforms to GB2828 |  |                |      |      |    |                              |

## **10 Precautions for Use of LCD Modules**

### **10.1 Handling Precautions**

10.1.1 The display panel is made of glass. Do not subject it to a mechanical shock by dropping it from a high place, etc.

10.1.2 If the display panel is damaged and the liquid crystal substance inside it leaks out, be sure not to get any in your mouth, if the substance comes into contact with your skin or clothes, promptly wash it off using soap and water.

10.1.3 Do not apply excessive force to the display surface or the adjoining areas since this may cause the color tone to vary.

10.1.4 The polarizer covering the display surface of the LCD module is soft and easily scratched. Handle this polarizer carefully.

10.1.5 If the display surface is contaminated, breathe on the surface and gently wipe it with a soft dry cloth. If still not completely clear, moisten cloth with one of the following solvents:

- Isopropyl alcohol
- Ethyl alcohol

Solvents other than those mentioned above may damage the polarizer. Especially, do not use the following:

- Water
- Ketone
- Aromatic solvents

10.1.6 Do not attempt to disassemble the LCD Module.

10.1.7 If the logic circuit power is off, do not apply the input signals.

10.1.8 To prevent destruction of the elements by static electricity, be careful to maintain an optimum work environment.

- a. Be sure to ground the body when handling the LCD Modules.
- b. Tools required for assembly, such as soldering irons, must be properly ground.
- c. To reduce the amount of static electricity generated, do not conduct assembly and other work under dry conditions.
- d. The LCD Module is coated with a film to protect the display surface. Be care when peeling off this protective film since static electricity may be generated.

## 10.2 Storage precautions

10.2.1 When storing the LCD modules, avoid exposure to direct sunlight or to the light of fluorescent lamps.

10.2.2 The LCD modules should be stored under the storage temperature range.

If the LCD modules will be stored for a long time, the recommend condition is:

Temperature :  $0^{\circ}\text{C} \sim 40^{\circ}\text{C}$

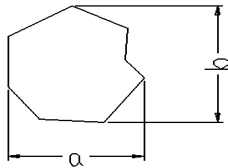
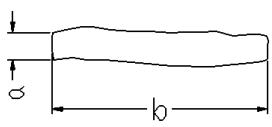
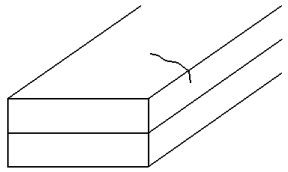
Relatively humidity:  $\leq 80\%$

10.2.3 The LCD modules should be stored in the room without acid, alkali and harmful gas.

10.3 The LCD modules should be no falling and violent shocking during transportation, and also should avoid excessive press, water, damp and sunshine.

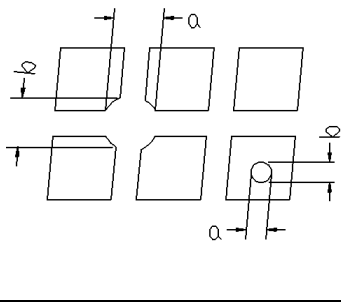
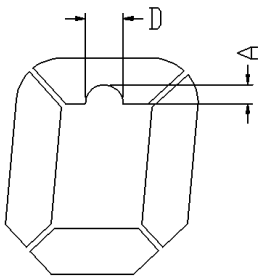
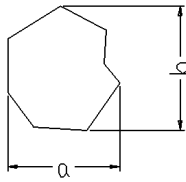
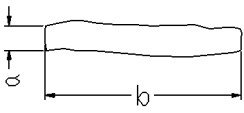
## Appendix A

### Inspection items and criteria for appearance defects

| Items                           | Contents  | Criteria                        |  |                              |  |
|---------------------------------|---|---------------------------------|--|------------------------------|--|
| Leakage                         |   | Not permitted                   |  |                              |  |
| Rainbow                         |   | According to the limit specimen |  |                              |  |
| Polarizer                       | Wrong polarizer attachment  | Not permitted                   |  |                              |  |
|                                 | Bubble between polarizer and glass  | Not counted                     | Max. 3 defects allowed   |                              |  |
|                                 |   | $\phi < 0.3\text{mm}$           | $0.3\text{mm} \leq \phi \leq 0.5\text{mm}$                         |                              |  |
|                                 | Scratches of polarizer  | According to the limit specimen |  |                              |  |
| Black spot<br>(in viewing area) |  | Not counted                     | Max. 3 spots allowed   | Max. 3 spots (lines) allowed |  |
|                                 |   | $X < 0.2\text{mm}$              | $0.2\text{mm} \leq X \leq 0.5\text{mm}$                            |                              |  |
|                                 |   | $X = (a+b)/2$                   |  |                              |  |
| Black line<br>(in viewing area) |  | Not counted                     | Max. 3 lines allowed   |                              |  |
|                                 |   | $a < 0.02\text{mm}$             | $0.02\text{mm} \leq a \leq 0.05\text{mm}$<br>$b \leq 2.0\text{mm}$ |                              |  |
| Progressive cracks              |  | Not permitted                   |  |                              |  |

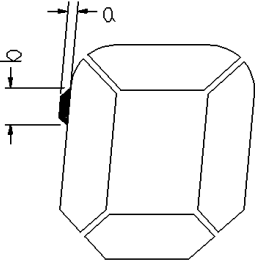
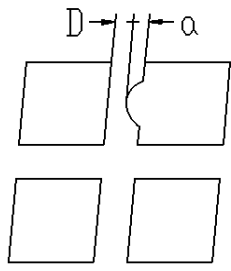
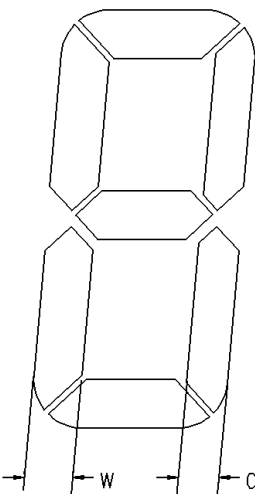
## Appendix B

### Inspection items and criteria for display defects

| Items                                 | Contents  | Criteria   |  |  |                             |
|---------------------------------------|---|--|--|--|-----------------------------|
| Open segment or open common           |   | Not permitted  |  |  |                             |
| Short                                 |   | Not permitted  |  |  |                             |
| Wrong viewing angle                   |   | Not permitted  |  |  |                             |
| Contrast ratio uneven                 |   | According to the limit specimen                                |  |  |                             |
| Crosstalk                             |   | According to the limit specimen                                |  |  |                             |
| Pin holes and cracks in segment (DOT) |   | Not counted  | Max.3 dots allowed   |  | Max.3 dots allowed          |
|                                       |   | $X < 0.1\text{mm}$   | $0.1\text{mm} \leq X \leq 0.2\text{mm}$                            |  |                             |
|                                       |   | $X = (a+b)/2$  |  |  |                             |
|                                       |  | Not counted  | Max.2 dots allowed   |  |                             |
| $A < 0.1\text{mm}$                    |   | $0.1\text{mm} \leq A \leq 0.2\text{mm}$<br>$D < 0.25\text{mm}$ |  |  |                             |
| Black spot (in viewing area)          |  | Not counted  | Max.3 spots allowed  |  | Max.3 spots (lines) allowed |
|                                       |   | $X < 0.1\text{mm}$   | $0.1\text{mm} \leq X \leq 0.2\text{mm}$                            |  |                             |
|                                       |   | $X = (a+b)/2$  |  |  |                             |
| Black line (in viewing area)          |  | Not counted  | Max.3 lines allowed  |  |                             |
|                                       |   | $a < 0.02\text{mm}$  | $0.02\text{mm} \leq a \leq 0.05\text{mm}$<br>$b \leq 0.5\text{mm}$ |  |                             |

## Appendix B

### Inspection items and criteria for display defects (continued)

| Items                     | Content   | Criteria  |                        |                       |  |
|---------------------------|---|---|------------------------|-----------------------|--|
| Transformation of segment |    | Not counted   | Max. 2 defects allowed | Max.3 defects allowed |  |
|                           | $x < 0.1\text{mm}$  | $0.1\text{mm} \leq x \leq 0.2\text{mm}$   |                        |                       |  |
|                           | $x = (a+b)/2$   |   |                        |                       |  |
|                           |   | Not counted   | Max. 1 defects allowed |                       |  |
|                           | $a < 0.1\text{mm}$  | $0.1\text{mm} \leq a \leq 0.2\text{mm}$<br>$D > 0$  |                        |                       |  |
|                           |  | Max.2 defects allowed<br>$0.8W \leq a \leq 1.2W$<br><br>a=measured value of width<br>W=nominal value of width |                        |                       |  |