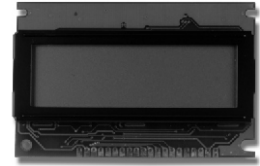
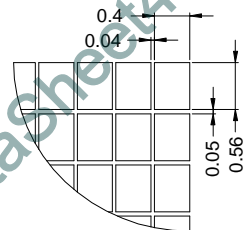
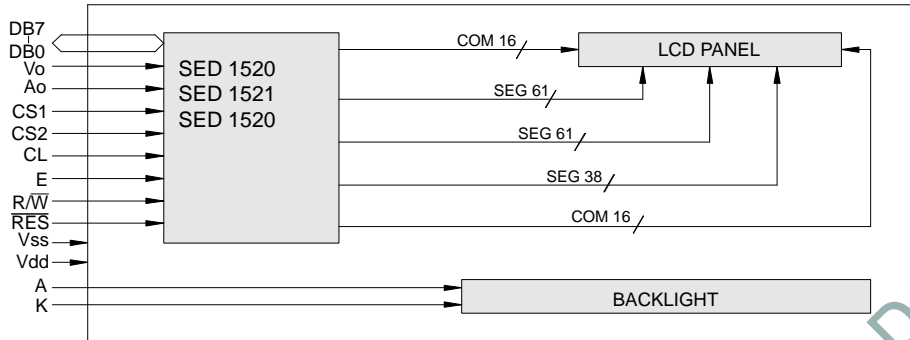
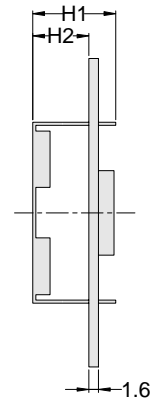
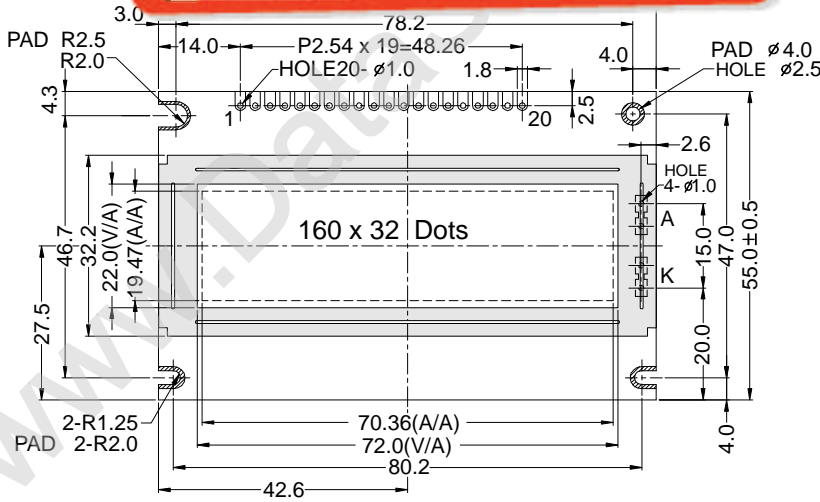


液晶之友 电话: 020-33819057  
 & BLOCK DIAGRAM  
<http://www.lcdfriends.com>



OUTLINE DIMENSION



The tolerance unless classified ± 0.3mm

MECHANICAL SPECIFICATION

Overall Size	85.2 x 55.0	Module	H2 / H1
View Area	72.0 x 22.0	W/O B/L	9.6 / 14.5
Dot Size	0.40 x 0.56	EL B/L	- / -
Dot Pitch	0.44 x 0.61	LED B/L	9.6 / 14.5

PIN ASSIGNMENT

Pin no.	Symbol	Function
1	Vss	Power supply(GND)
2	Vdd	Power supply(+)
3	Vo	Contrast adjust
4	Ao	Command / Data select
5	CS1	Chip select driver 1
6	CS2	Chip select driver 2
7	CL	External clock input
8	E	Enable signal
9	R/W	Data read / write
10-17	DB0-DB7	Data bus line
18	RES	Reset
19	A	Power supply for LED B/L(+)
20	K	Power supply for LED B/L(-)

ABSOLUTE MAXIMUM RATING

Item	Symbol	Condition	Min.	Max.	Units
Supply for logic voltage	Vdd-Vss	25°C	-0.3	8.0	V
LCD driving supply voltage	Vdd-Vee	25°C	-0.3	16.5	V
Input voltage	Vin	25°C	-0.3	Vdd-0.3	V

ELECTRICAL CHARACTERISTICS

Item	Symbol	Condition	Min.	Typical	Max.	Units		
Power supply voltage	Vdd-Vss	25°C	2.7	-	5.5	V		
LCD operation voltage	Vop	Top	N	W	N	W	V	
		-20°C	-	6.1	-	6.4	-	V
		0°C	-	-	-	-	-	V
		25°C	-	6.0	-	6.3	-	V
		50°C	-	-	-	-	-	V
		70°C	-	5.8	-	6.1	-	V
LCM current consumption (No B/L)	Idd	Vdd=5V	-	1	2.5	mA		
Backlight current consumption	LED/edge	VB/L=4.2V	-	-	-	mA		
	LED/array	VB/L=4.2V	-	180	-	mA		

REMARK

LCD option: STN, TN, FSTN

Backlight Option: LED,EL Backlight feature, other Specs not available on catalog is under request.

