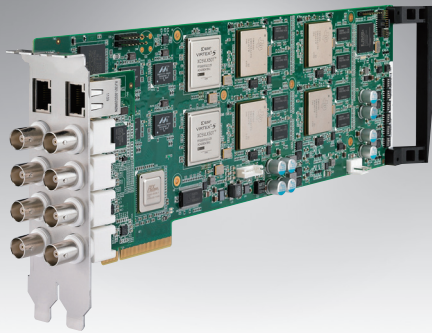


DSP-8662

8ch 3G-SDI Video Encoder Card with SDK

NEW



Features

- Powered by quad TI TMS320DM8168 SoC
- 8-channel SD-SDI / HD-SDI / 3G-SDI video + audio inputs
- Up to 60fps at Full HD (1080p) video acquisition per channel
- HW-based H.264 / MJPEG / RAW encoding
- PCIe Gen2 x8 data bus; Dual GbE LAN ports
- Supports multi-port Ethernet and PCIe switch
- Web-based GUI and SDK with sample codes



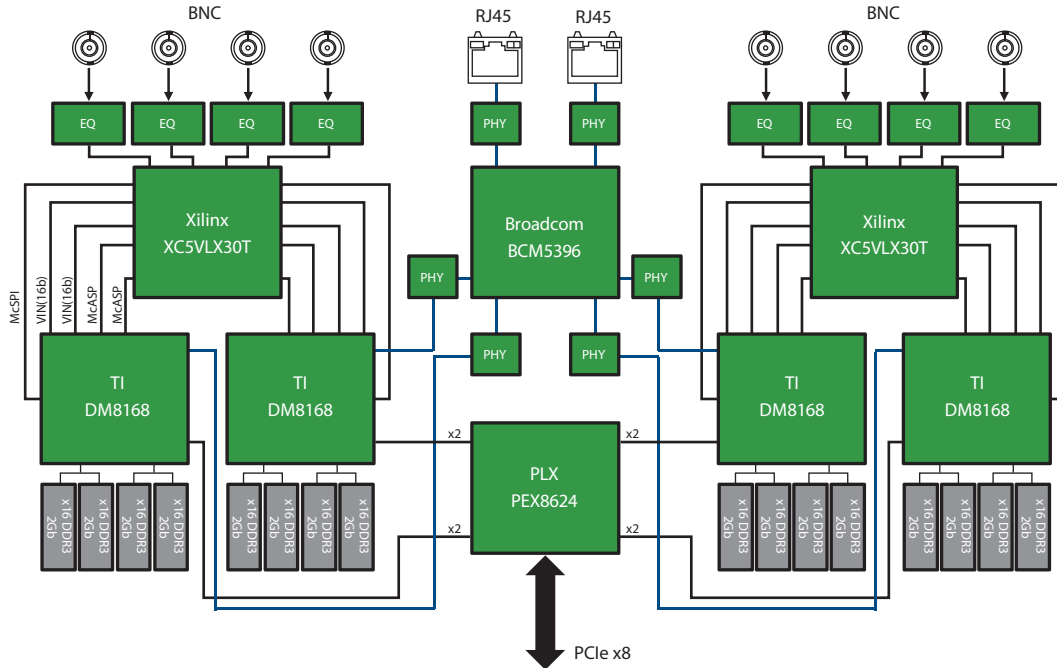
Introduction

DSP-8662 is an advanced PCIe video acquisition and encoder solution which supports 8 channels Serial Digital Interface (SDI) video and audio inputs. DSP-8662 is capable of performing multi-channel video compression with up to Full HD 1080p resolution at 60fps in each channel (total 480fps simultaneously). As a versatile video processing platform, DSP-8662 works as PCIe video acquisition and encoder card working on x86 PC platform (Drivers are available for both Windows and Linux OS). With an easy-to-use software development kit (SDK), DSP-8662 is an ideal solution for system integrators to implement versatile video related applications, to fulfill various customer requirements.

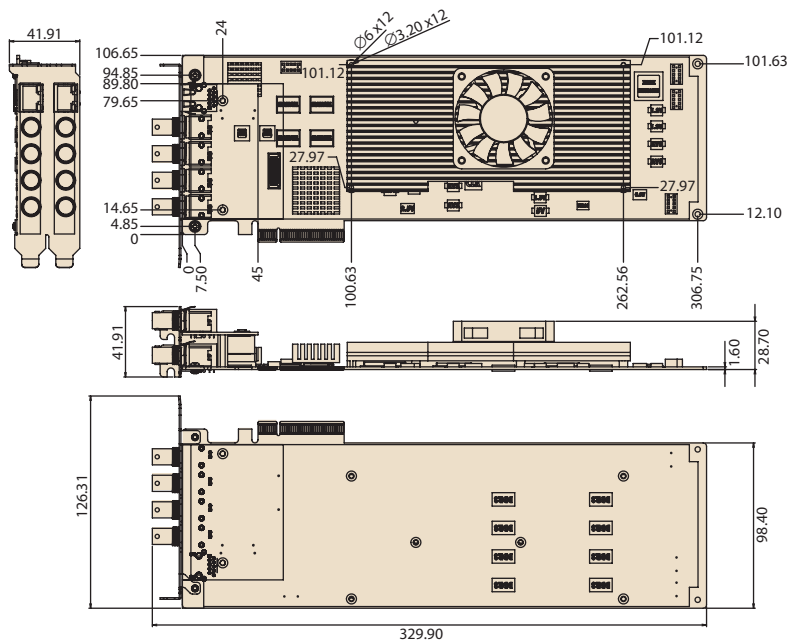
Specifications

| | | |
|---------------------------|-----------------------|---|
| Video Input | Channels | 8 |
| | Input Format | SD-SDI / HD-SDI / 3G-SDI |
| | SDI Standards | SMPTE 259M / 292M / 344M / 424M (depends on the performance of the inputs device) |
| | Resolution | Up to 1920 x 1080p (Full HD 1080p) |
| | Compression | H.264 / MJPEG / RAW |
| | Max. Frame Rate | 480 fps at Full HD 1080p (up to 60fps per channel) |
| | Bit Rate Control | CBR / VBR / ABR |
| Audio Input | Connectors | BNC |
| | Channels | 8 |
| | Format | RAW |
| | Sampling Rate | Up to 16-bit, 44KHz, stereo |
| Peripherals & Accessories | Connectors | BNC (shared with video inputs) |
| | LAN Port | 10/100/1000 Mbps LAN port x2; RJ-45 connector |
| Physical Characteristics | Data Bus | PCIe Gen-2 x8 |
| | Power Consumption | < 60W |
| | Operating Temperature | 0 ~ 60° C (32 ~ 140° F) |
| Software | Dimensions | 270 x 111.15 mm (10.63" x 4.38"), double width |
| | Supported OS | Windows XP / XPe / Vista / 7 Linux |
| | SDK | User's Manual Programming Guide Sample Codes |
| | Demo Program | 8ch 3G-SDI video capture and H.264 encoding at PCIe device mode |
| Applications | PCIe Device Mode | PCIe video acquisition and encoder card |

Block Diagram



Dimensions



Unit: mm

Ordering Information

| Part Number | Description |
|-------------------|--|
| DSPC-8662-PCXE | 8ch 3G-SDI Video Encoder Card with SDK |
| DSPC-8661ACY01-AE | JTAG debug board with cable |