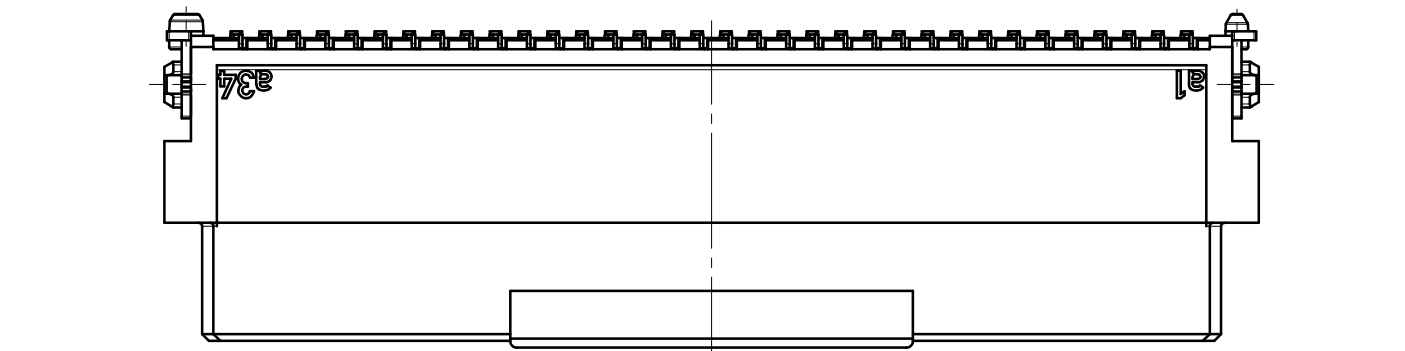
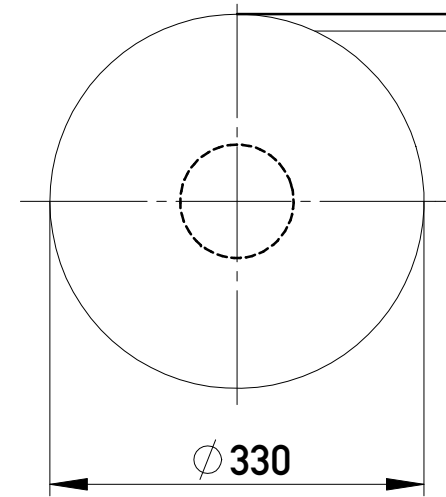


Verpackt im Gurt nach DIN IEC 60286-3  
 Tape on Reel Packaging according to DIN IEC 60286-3  
 Verpackungseinheit: 170 Stück  
 Packaging unit: 170 pcs



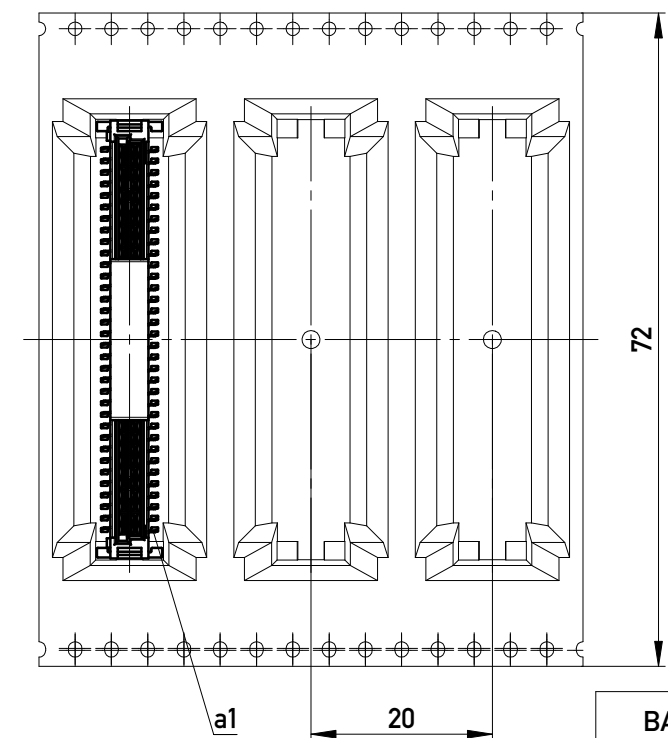
Anforderungsstufe 1  
 Performance Level 1

Kontaktbereich vergoldet  
 Mating Area gold plating

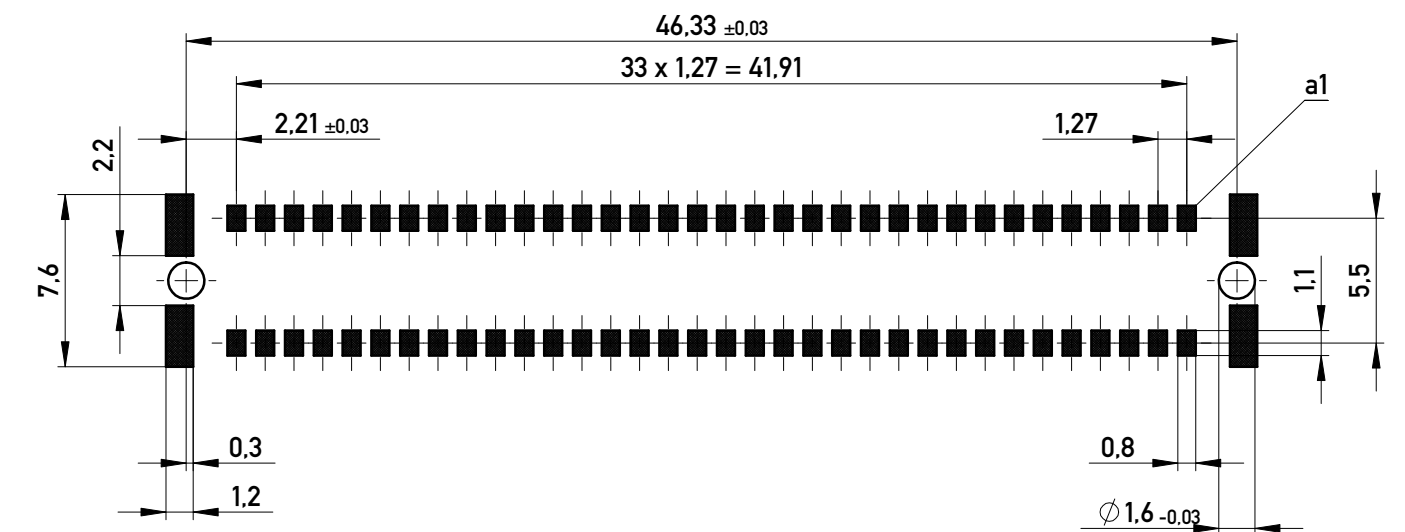
Anschlussbereich verzinkt 4-6µm  
 Terminal Area 4-6µm tin plating

Koplanarität der Anschlüsse ≤ 0,1mm  
 Coplanarity Area of Termination ≤ 0,1mm

Abspulrichtung - Reel off Direction



Leiterplatten-Layout Vorschlag für SMT  
 PCB-Layout Proposal for SMT



BA 7-23 - hohe Bauhöhe  
 type 7-23 - high profile

Copyright by ERNI GmbH  
 Proprietary notice pursuant to ISO 16016 to be observed.

Information:		Tolerances	Scale 3:1	Designation	
All rights reserved. Only for Information. To ensure that this is the latest version of this drawing, please contact one of the ERNI companies before using.		All Dimensions in mm	Subject to modification without prior notice. Drawing will not be updated.	Federl. SMC-B 68-SMD-BA7-23 Female SMC-B 68-SMT-type7-23	
www.ERNI.com		101003440002		K	
Date 25.02.2014		Class SMCB		A3	