



FEATURES

- Handles from signal level to 5 amps
- 1 Form A contact form
- Ultra Slim, 5 MM package
- SIL terminal pattern
- Terminals on 1/10 in grid pattern
- 2 Kv dielectric between coil and contacts
- Sealed, immersion cleanable
- Lead Free & RoHS Compliant



File # E86876

UL/CSA RATINGS

Load Type	All Forms All Contacts
General Use	3A or 5A at 30VDC / 250VAC
Resistive	3A or 5A at 30VDC / 250VAC
Minimum Load	0.1 mA @ 0.1 VDC

CONTACT DATA

Material		AgCdO (Silver Cadmium Oxide) AgCdO+Au (Silver Cad Oxide Gold Clad)
Initial Contact Resistance		100 milliohms max @ 0.1A, 6VDC
Service Life	Mechanical	2 X 10 ⁷ Operations
	Electrical	1 X 10 ⁵ Operations

CHARACTERISTICS

Operate Time	6 ms. Max.
Release Time	3 ms. Max.
Insulation Resistance	1000 megohms min, at 500VDC, 50%RH
Dielectric Strength	2000 Vrms, 1 min. between coil and contacts 1000 Vrms, 1 min. between open contacts
Shock Resistance	10 g, 11ms, functional; 100 g, destructive
Vibration Resistance	DA 2.5 mm, 10 - 55 Hz
Power Consumption	.12W
Ambient Temperature Range	-40 to 70 C operating for class B, -40 to 130 C storage
Weight	3 grams approx.

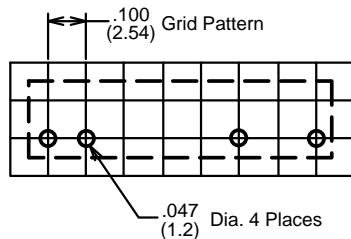
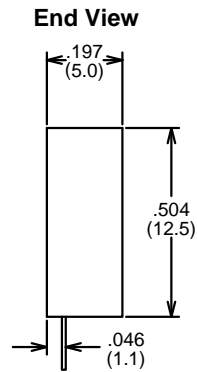
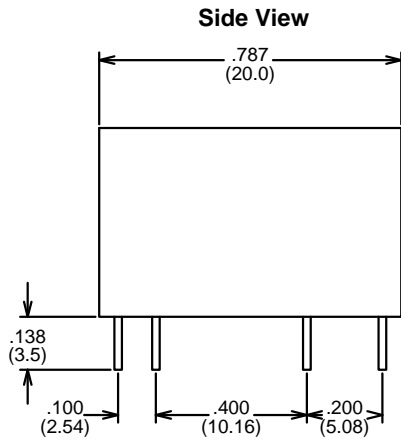
ORDERING INFORMATION

Example:	PC457	-1A	-12	S	-5	-X
Model						
Contact Form						
1A						
Coil Voltage						
Enclosure						
S: Sealed; C: Flux Free						
Contact Rating						
3: 3 AMP; 5: 5 AMP						
RoHS Compliant						
Nil: Not Rohs, -X: RoHS Compliant						

COIL DATA

Coil Voltage	Resistance ohms $\pm 10\%$	Must Operate Voltage Max. (VDC)	Must Release Voltage Min. (VDC)	Continuous Voltage Max. (VDC)
5	208	3.5	0.25	5.5
6	300	4.2	0.30	6.6
9	675	6.3	0.45	9.9
12	1200	8.4	0.60	13.2
18	2700	12.6	0.90	19.8
24	3200	16.8	1.20	26.4

**Dimensions in Inches (millimeters)
Drawings are 2X actual size**



Hole Pattern



Wiring Diagram

Notes:

Tolerances $\pm .010$ unless otherwise noted
 Relays previously tested or used above 10mA at 6VDC or higher
 are not recommended for subsequent use in low level applications



3220 Commander Drive, Suite 102, Carrollton, Texas 75006
 Sales: (888)997-3933 Fax: (818) 342-5296 email: sales@pickercomponents.com URL: pickercomponents.com