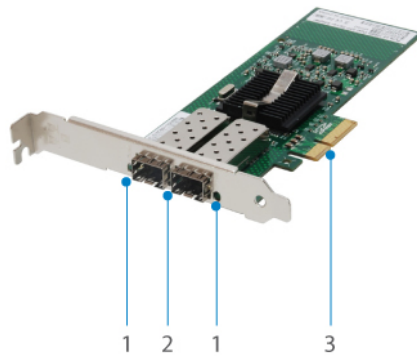


GNC-0122 10/100/1000 Mbps: 1

Gigabit Fiber PCIe Network Card, Dual SFP, PCIe x4

The LevelOne GNC-0122 Gigabit network card facilitates high-speed connectivity within a fiber-optic network. Wake-on-LAN functionality allows remote start-up and shutdown, and the device offers flexibility by supporting iSCSI for remote boot. GNC-0122 also features an Intel PROSet Utility for Windows Device Manager, offers load balancing across multiple CPUs and is compatible with most Network Operating Systems.



1. LED Indicator (Link / Activity)
2. Fiber Ports
3. PCI-Express

Key Features

- 10/100/1000 Mbps Wake-on-LAN
- Supports iSCSI remote boot
- Load balancing across multiple CPUs
- Compatible with x4, x8, and x16 standard and low-profile PCI Express slots
- Supports most network operating systems (NOS)
- Intel® PROSet Utility for Windows* Device Manager



System Specifications

Standards & Protocols:

- IEEE 802.3 10-BASE-T, Ethernet
- IEEE 802.1Q Virtual LANs (VLANs)
- IEEE 802.1p Quality of Service (QoS)
- IEEE 802.3ad Link Aggregation Control Protocol (LACP)

Connectors and Cabling:

- DUAL SFP Port 1000Base-SX/LX
- PCI Express* v2.0 (2.5 GT/s)
- x4/x2/x1

**Indicator:**

Link/Activity

Power:

2.2w

Features

General:

Flow control, fault tolerance, load balancing, VLAN support, IPv6 support, Intel I/O Acceleration Technology (I/OAT), Virtual Machine Device Queues (VMDq)

Management:

On-board microcontroller

Advanced filtering capabilities

Preboot execution Environment (PXE) Support

Simple Network Management Protocol (SNMP) and Remote Network Monitoring (RMON) Statistic Counters

Wake-on-LAN support

iSCSI boot

Watchdog timer

IEEE 1588 precision time control protocol

Performance

Jumbo Frame (K):

9.5 K

Environment

Temperature (°C):

Operating: 0 ~ 55°C

Storage: -40 ~70 °C

Humidity (Non-condensing):

Operating: 5% ~ 95%

Storage: 5% ~ 95%

Physical Specifications

Dimensions (W x D x H mm):

160 x 68x17 mm

Weight (g):

83g

Others

Operation Systems:

Windows 2000/XP

Windows Vista/7/8

Windows Server 2003/2008/2008 R2/2012 R2

Novell Netware 5.x,6.x

Linux kernel version 2.6.30 or greater (x86_64) (w/ SR-IOV support)

FreeBSD 7.x OR later

DOS

Novell ODI

OS 8 or later

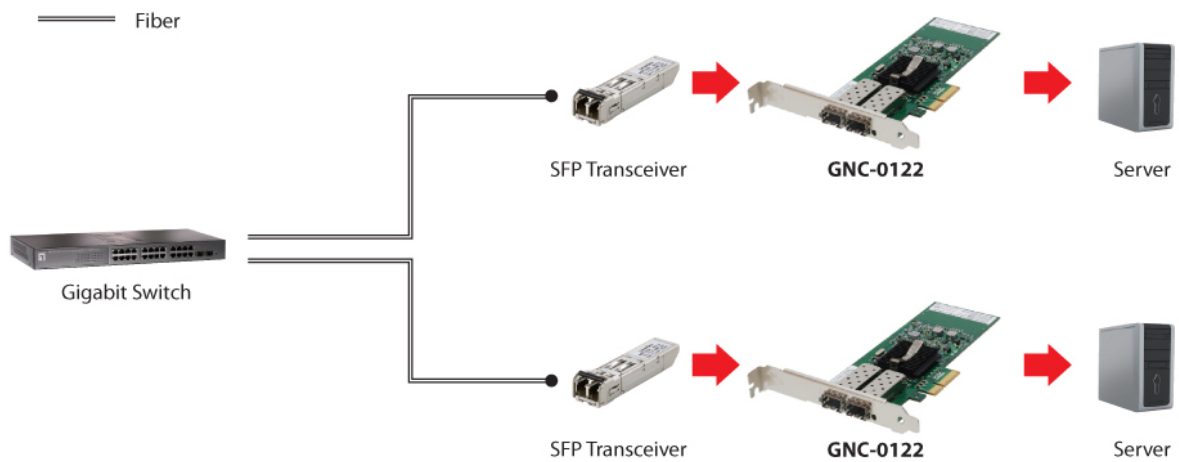
SCO Open Server

UnixWare / OpenUnix 8

Sun Solaris x86

OS Independent

VMware ESX



Order Information

GNC-0122

Package Contents

GNC-0122

Low Profile Bracket

Quick Installation Guide

Resource CD (User Manual, Driver)

No liability or responsibility for any errors or omissions in the content.
Specifications are subject to change without notice.
All mentioned brand names are registered trademarks and property of their owners.
Copyright © Digital Data Communications GmbH, Germany. All Rights Reserved.