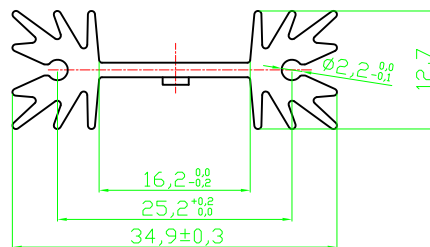
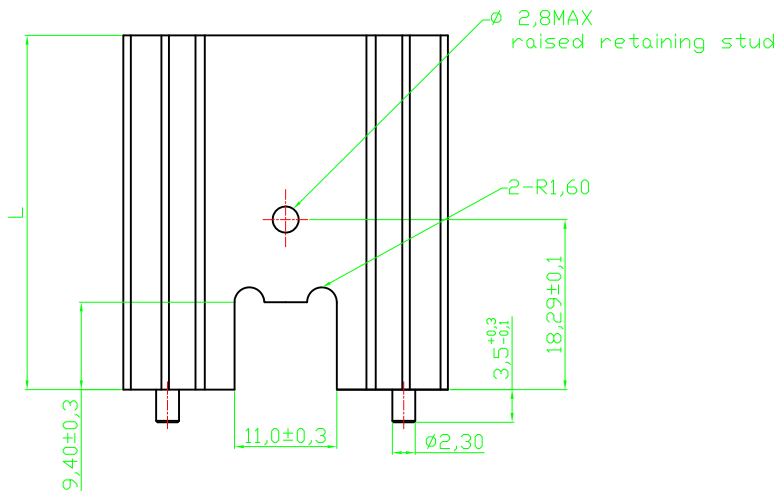


RoHS compliant



Material : AL 6063-T5 BL-005  
 PIN: CRS TIN PLATED  
 Finished: Black anozed  
 Unmarked round angle R is 5mm.

Option	L	Thermal resistance(K/W)
V7477WC	25.4	14
V7477XC	38.1	11
V7477YC	50.8	9
V7477ZC	63.5	7

Scale	FREE					Date	Name	Customer-No.
TOLERANCE					Drawn	11.08.2009	Dean	
X.	±X				Approved	20.07.2010	Andy	
X.X	±X							ASSMANN WSW-No.
UNIT	±0.2	③	Modify dimation	20.07.2010	Alex			V7477xC
DIM	TOL	②	Modify drawing layout	10.03.2010	Alex			Drawing-No.
X.°	±X°							ASS 0867 HS
X.X°	±X°	①	Drawn	11.08.2009	Dean			rev03
Angle	TOL	Id.	Modification	Date	Name			Replace
								Sheet

1

2

3

4

5

6

7