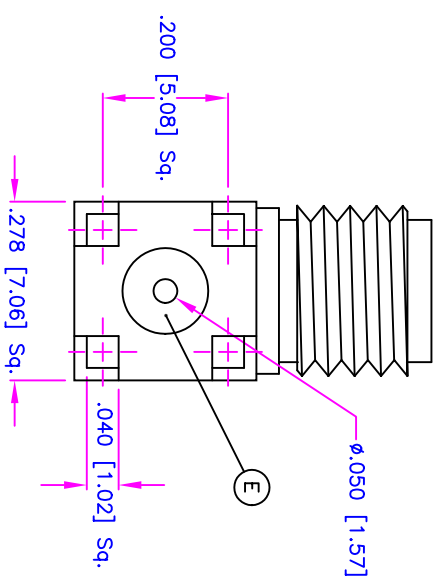
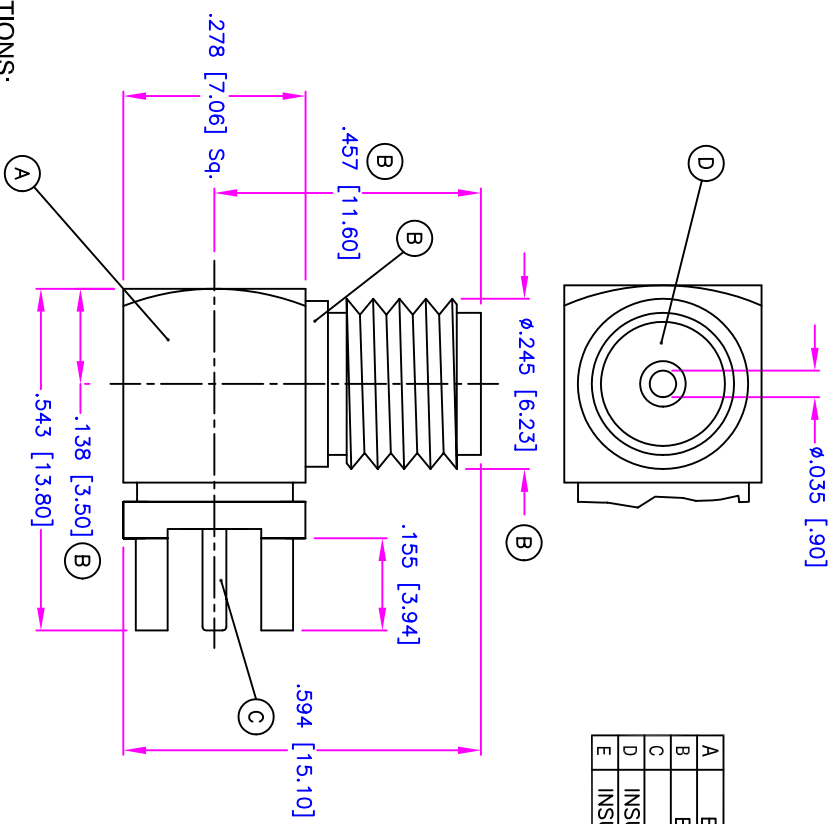


Rev	Description	Date	Appr
0	Released	07/07/97	
A	Add Specification	02/06/98	O.C.
B	Add Dimension	05/15/98	O.C.

A	BODY	BRASS	1
B	BODY	BRASS	1
C	PIN	BRASS	1
D	INSULATOR	TEFLON	1
E	INSULATOR	TEFLON	1



SPECIFICATIONS:

MATERIAL:

Housing: Brass, nickel or gold plated per requirement
 Insulator: Teflon

Contacts: Beryllium Copper, gold-plated

ELECTRICAL:

Frequency range: 0–15 GHz

Voltage rating: 500 Volts peak

Impedance: 50 ohm

Contact resistance: Center: 1.5 mohm – Outer: 1.0 mohm

Insulation resistance: 5000 Mohm min @ 1500 VDC between adjacent contacts (75°F and 50% R.H.)

Dielectric withstanding voltage: 1000 VAC min rms
 RF leakage: –90 dB min @ 2–3 GHz

ADAM TECH

Dimension in IN [MM]

Tolerance
 (Unless Otherwise Specified)

XX ± .01
 .XXX ± .005

DRAWN : T.D.

APPR : O.C.

Date: 07/07/97

SCALE : NTS

DESCRIPTION:
 Right Angle
 SMA Jack

PART NUMBER:
 RF2-03-T-00-50

SHEET	LOG	REF.	REV.
1			B
OF 1 SHEETS			