

Model NO.	LCVE-030■240	Model Name	LED Power Supply
Part NO.	PLCVE0030■240	SIZE	134 * 42 * 33.1 mm 【5.28 * 1.65 * 1.3 inch】



**FEATURES**

- ◆ AC Input 90~305Vac
- ◆ Protection: SCP / OTP / OVP
- ◆ High Operating ambient Temp: -20°C ~ +60°C
- ◆ Power Factor:>0.95@115Vac;>0.9@230Vac;@full load
- ◆ Safety: Meet UL / Meet TUV
- ◆ EMC: Meet CE / Meet FCC
- ◆ Comply with Indoor/Outdoor Waterproof (IP 67)
- ◆ Dimension (L\*W\*H): 134 \* 42 \* 33.1 mm
- ◆ Dimension (L\*W\*H): 5.28 \* 1.65 \* 1.3 inch
- ◆ ROHS Compliant

**Module : LCVE-030■240**

**\*,# =SEE NOTES BELOW**

* (9)	SPECIFICATION	MODEL LCVE-030■240		
		min.	norm.	max.
	DC OUTPUT VOLTAGE (V)		24	
*	PRESET ACCURACY (%) *(8)		5	
*	OUTPUT CURRENT(A) *(5)		1.25	
*	O/P NOISE (P-P, mV) *(3)		300	
*	LINE REGULATION (%) *(7)		5	
*	LOAD REGULATION (%) *(6)		5	
	DC OUTPUT POWER		30 W	
	EFFICIENCY(typ @Full Load)		80%	
	SETUP,RISE TIME(typ.)	2000ms,500ms at full load 115VAC/230VAC		
	INPUT VOLTAGE RANGE	90-305VAC, 127-431VDC, Normal : 100-277VAC		
	INPUT FREQUENCY	Range:47-63Hz, Normal : 50-60Hz		
	ACTIVE POWER FACTOR	PF>0.95 @115VAC, PF>0.9@230VAC at full load and rated output voltage		
	INRUSH CURRENT (typ)	COLD START 50A @ 230VAC		
	AC CURRENT	0.6A/115VAC		
	LEAKAGE CURRENT	<0.7mA/240VAC		
	SHORT CIRCUIT PROTECTION	short circuit protection will restart automatically after the fault condition is removed		
	OVER TEMP. PROTECTION	shut down and latch off o/p voltage , re-power on to recover		
	OVER V, PROTECTION			
*	OPERATING TEMP.*(4)	-20 to +60°C @full load ; +80°C @60% load		
	STORAGE TEMPERATURE	-40 to +80°C		
	RELATIVE HUMIDITY	5 to +90%, non-cond.		
	TEMP. COEFFICIENT	0.03% / °C (0-50°C , typ)		
	SAFETY	Meet UL / Meet TUV EN 61347-2-13		
	EMI	Meet CE EN 55015 / Meet FCC Part15		
	WITHSTAND VOLTAGE	I/P-O/P : 3.75KVAC, O/P-Grnd : 0.5KVAC, I/P-Grnd : 1.88KVAC		
	ISOLATION RESISTANCE	I/P-O/P, I/P-FG,O/P-FG :100M Ohms / 500VDC / 25°C / 70% RH		
	DIMENSIONS(L*W*H)	134 * 42 * 33.1 mm 【5.28 * 1.65 * 1.3 inch】		

NOTES : (1)All parameters not specially mentioned are measured 230VAC input.

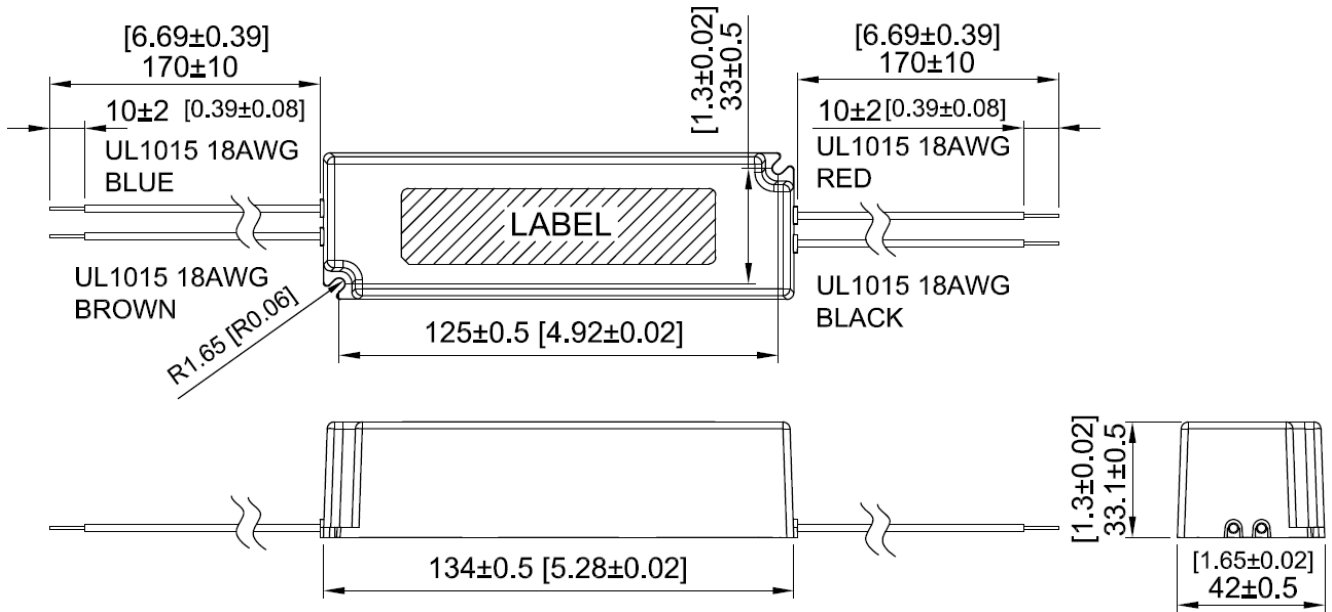
- (2)All specifications Typical @25°C , unless otherwise noted, at normal line and load.
- (3)Ripple and Noise measured directly at pins/terminals at nom. load, 0.1uF bypass and 47uF electrolytic, pk-pk @20MHz bandwidth.
- (4)Specified for free-air convection cooling.
- (5)Minimum load is NOT required for proper operation .
- (6)Load regulation measured from 20% to Full load.
- (7)Line regulation measured from 100VAC to 277VAC.
- (8)Preset accuracy measured at normal load, 120VAC input.
- (9)100% Production Tested.

※Reference

[www.linkcom.com.tw](http://www.linkcom.com.tw) For more information, please contact with: [sales@linkcom.com.tw](mailto:sales@linkcom.com.tw)

Model NO.	LCVE-030■240	Model Name	LED Power Supply
Part NO.	PLCVE0030■240	SIZE	134 * 42 * 33.1 mm 【5.28 * 1.65 * 1.3 inch】

**Dimensions**



Unit : mm [inch]

※Reference