

PLEASE CHECK WWW.MOLEX.COM FOR LATEST PART INFORMATION

Part Number: [73205-5033](#)
Status: **Active**
Overview: TNC RF Connectors
Description: 50 Ohms, TNC Right-Angle PCB Bulkhead Jack Receptacle

Documents:

[Drawing \(PDF\)](#) [RoHS Certificate of Compliance \(PDF\)](#)

General

Product Family	RF/Coax Connectors
Series	73205
Overview	TNC RF Connectors
Product Name	TNC
Style	PCB
UPC	800753691582
Wire/Cable Type	N/A

Physical

Cable Attachment	N/A
Gender	Jack
Keying to Mating Part	None
Net Weight	22.776/g
Orientation	Right Angle
PCB Mounting	Through Hole
PCB Thickness - Recommended	3.20mm
Packaging Type	Tray
Panel Mount	Yes
Panel Mount Method	Bulkhead

Electrical

Impedance	50#
-----------	-----

Solder Process Data

Duration at Max. Process Temperature (seconds)	0
Lead-free Process Capability	Wave Capable (TH only)
Max. Cycles at Max. Process Temperature	0
Process Temperature max. C	0

Material Info

Reference - Drawing Numbers

Sales Drawing	SD-73205-5033
---------------	---------------

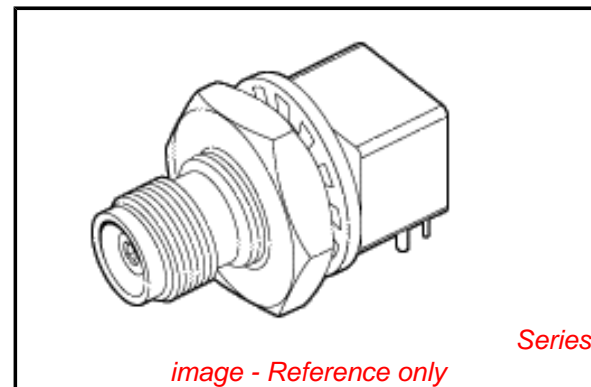


image - Reference only

EU RoHS

RoHS Compliant RF Product

REACH SVHC

Contains SVHC: No

Low-Halogen Status

Low-Halogen

China RoHS



Pb

Need more information on product environmental compliance?

Email productcompliance@molex.com
 For a multiple part number RoHS Certificate of Compliance, [click here](#)

Please visit the [Contact Us](#) section for any non-product compliance questions.

Search Parts in this Series

[73205Series](#)