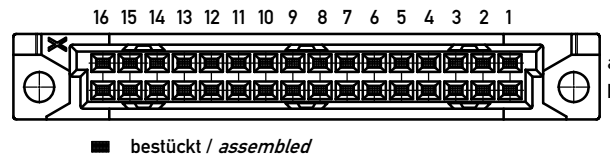
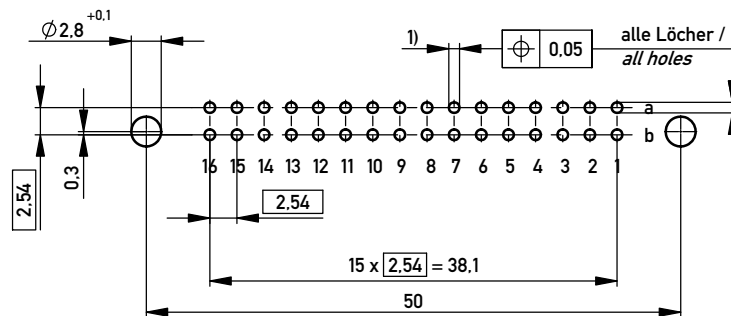


**Bestückungsplan / Contact layout**



**Leiterplatten- Lochbild / PCB drillhole pattern**



Elastische Einpresszone mit Übergabesteckzone /  
 compliant pressfit zone with mating transfer zone  
 Isolierwerkstoff / housing material : PBT GF 30  
 Bauart 7 / type 7  
 Anforderungsstufe 2 = 400 Steckzyklen / performance class 2 = 400 mating cycles  
 Fehlende Maße und Angaben nach IEC 60 603-2 / DIN EN 60 603-2  
 Missing information and dimensions per IEC 60 603-2 / DIN EN 60 603-2  
 Schichtaufbau im metallisierten Loch siehe Zeichnung 164062/Nr.6  
 diameter of drilled hole see drawing 164062/No.6  
 1)  $\phi 1,0^{+0,09}_{-0,06}$  Durchmesser des metallisierten Loches  
 $\phi 1,0^{+0,09}_{-0,06}$  Diameter of finished plated-through hole

Copyright by ERNI GmbH.  
 Proprietary notice pursuant to ISO 9006 to be observed.

Information:		Tolerances		Scale	2:1
All rights reserved. Only for Information. To ensure that this is the latest version of this drawing, please contact one of the ERNI companies before using.		All Dimensions in mm		Designation	
		Subject to modification without prior notice. Drawing will not be updated.		<b>Federleiste B/2, 32 EE</b> <b>Fem.Connector B/2, 32 Pressfit</b>	
		www.ERNI.com		<b>284895</b> I <b>A3</b>	
Index	Date	Class		STVB/2	