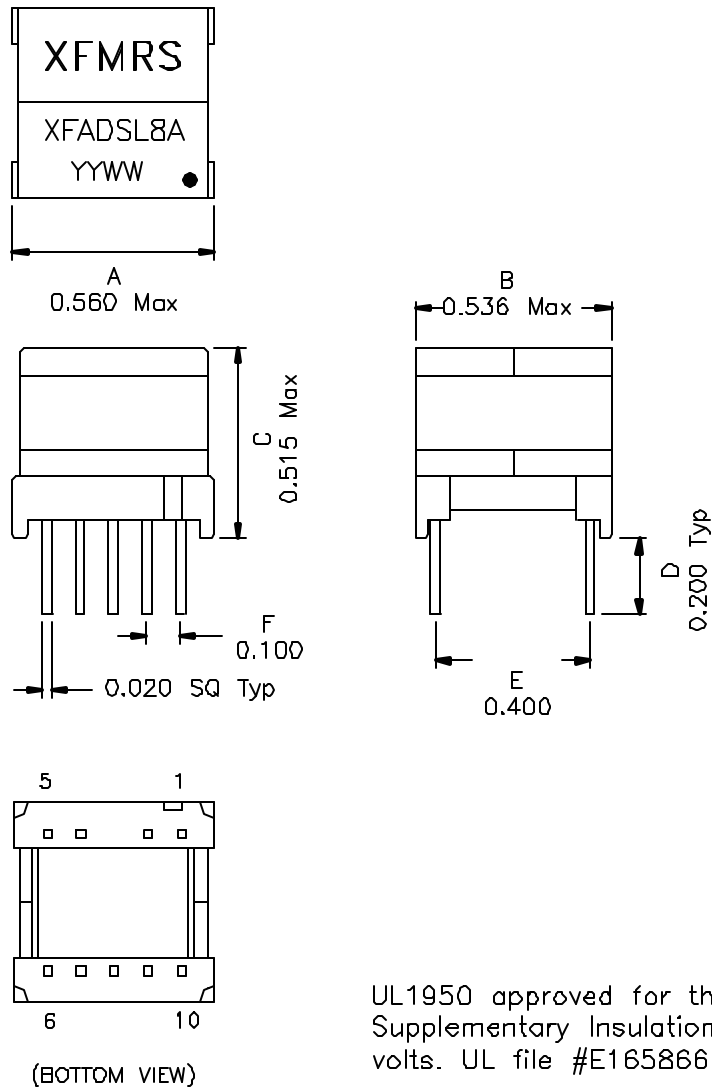


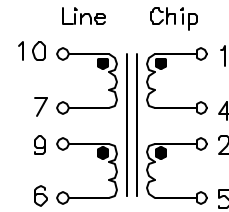
1. Dimensions:



UL1950 approved for the requirements of Supplementary Insulation with 300 working volts. UL file #E165866

DOC. REV A/2

2.Schematic:



3.Electrical Specifications: @25°C

- OCL: Pins 10-6 474uH±5% @10KHz 0.1V
(CONNECT PIN7-9)
- LL: Pins 10-6 15uH Max @100KHz 100mV
(CONNECT PIN 7-9, Short1 thru 5)
- Cw/w: Pins 10-1 30pF Max @100KHz 100mV
(CONNECT PINS 7-9 and 2-4)
- URNS RATIO: (10-6):(1-5) = 1.4:1±1% tie(7+9, 4+2)
- DC Res.: Pins 1-4 0.690 Ohms±10%
- DC Res.: Pins 2-5 0.690 Ohms±10%
- DC Res.: Pins 10-7 1.04 Ohms±10%
- DC Res.: Pins 9-6 1.04 Ohms±10%
- Long Bal.. 60dB Min 20K-250KHz, Pin 1 grounded
- THD: -80dB Max 100KHz, 5.3Vrms, 51 Ohm load
- ISOLATION VOLTAGE: 1875Vrms (Chip to Line)
- OPERATING TEMP: -40 TO 85°C

XFMRS Inc UNLESS OTHERWISE SPECIFIED TOLERANCES: .xxx ±0.010 Dimensions in INCH SHEET 1 OF 1	Title: ADSL TRANSFORMER	
	P/N: XFADSL8A	REV. A
	DWN. 廖玉坤	Aug-31-00
	CHK. 李清儿	Aug-31-00
APP. Joe Huff	Aug-31-00	