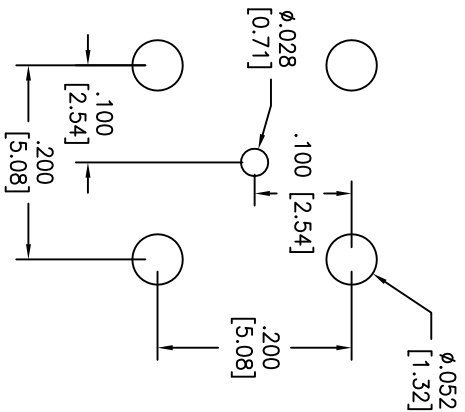
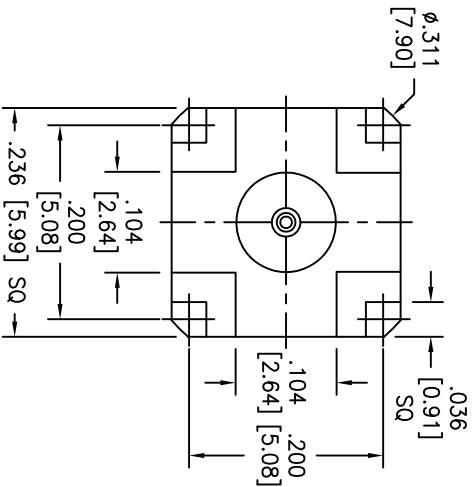
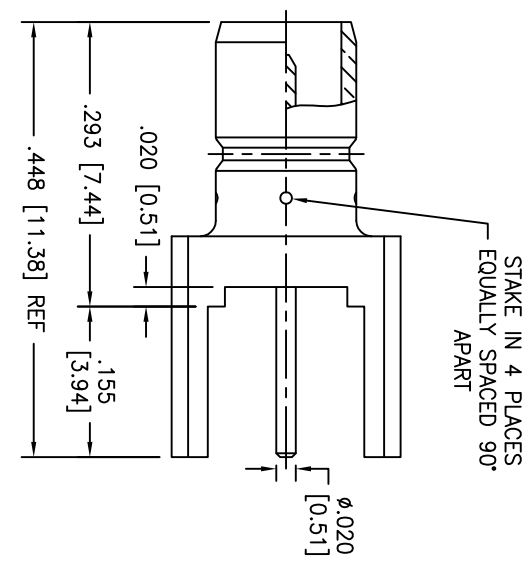


Rev	AWO #	Description	Date	Appr
-		RELEASED	11/10/09	

APPROVED: _____
 DATE: _____ TITLE: _____



CONTACT PIN	BRASS	GOLD
INSULATOR	TEFLON	WHITE
BODY	BRASS	NICKEL
DESCRIPTION	MATERIAL	FINISH

ADAM TECH

909 Ratway Avenue, Union, NJ 07083
 Phone: 908-687-5000 Fax: 908-687-5710

SMB PCB MOUNT JACK (75 ohms)

SPECIFICATIONS:

- Electrical:**
 Nominal Impedance: 75 ohms
 Frequency range: 0-4 GHz
 Working Voltage: 335 VRMS max.
 Dielectric Withstanding Voltage: 1000 VRMS min.
 Contact Resistance: 6 Milliohms max. (Center Contact)
 2.5 Milliohms max. (Outer Contact)
 Insulator Resistance: 1000 Megohms min.
Environmental:
 Lead free, RoHS compliant.



UNLESS OTHERWISE SPECIFIED
 ALL DIMENSIONS ARE INCHES [MM]
 TOLERANCES: EXCEPT AS NOTED
 INCHES Holes
 .X ±.10 Ø.X ±.10
 .XX ±.020 Ø.XXX ±.015
 .XXX ±.015 Ø.XXX ±.010

APPROVALS		DATE
DRAWN	DY	11/10/09
CHECKED		
APPROVED		

TITLE	SMB PCB MOUNT JACK (75 ohms)	
SIZE	PART NO.	REV.
X	RF3-500-2	
REF:	S00064T	SCALE: NTS
		SHEET 1 OF 1