

1

2

3

4

5

6

7

A

A

B

B

C

C

D

D

E

E

F

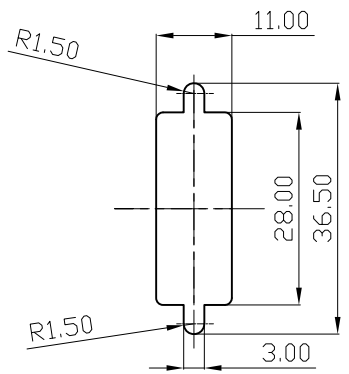
F

G

G

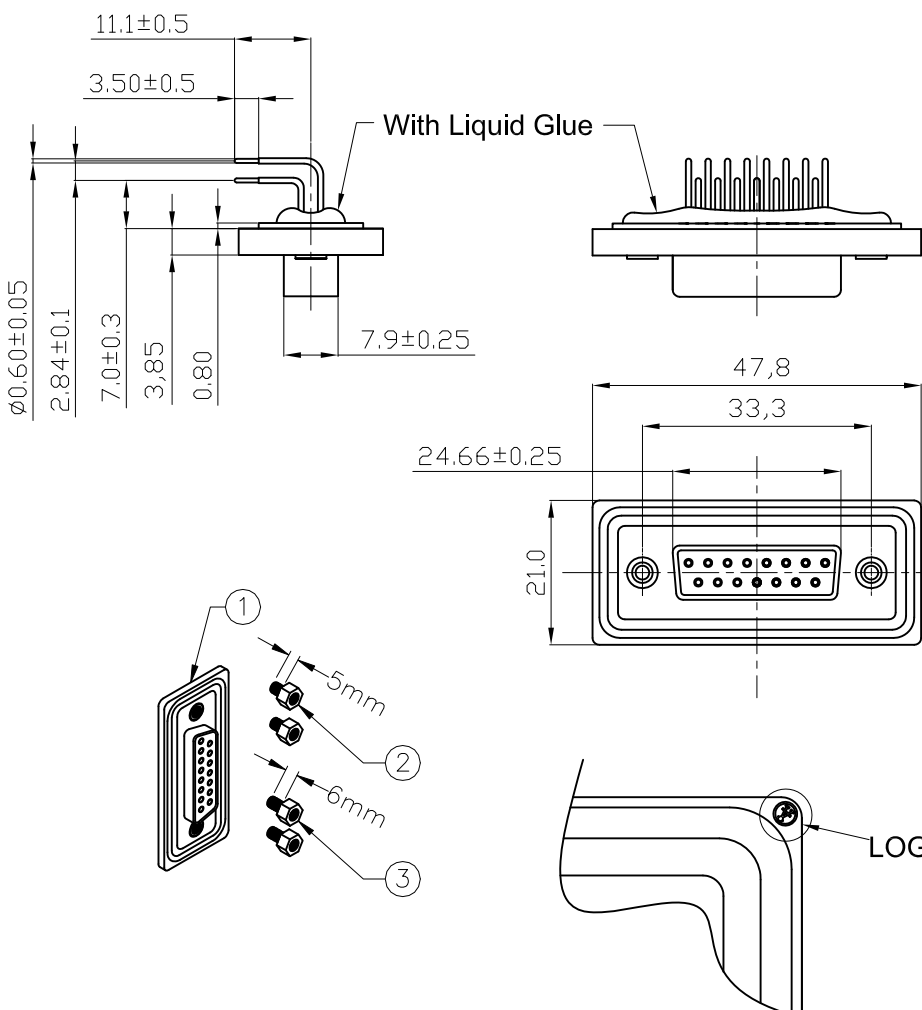
H

H



Panel Thickness
Screw L=5.0 For Panel Thickness Under 1.2mm
Screw L=6.0 For Panel Thickness Between 1.2-2.0mm

Recommended Panel Cut-Out

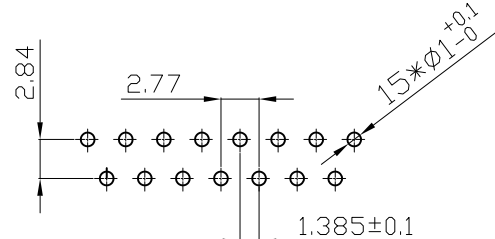


With Liquid Glue

NOTES:


MATERIAL

1. Insulator Material: Black, NYLON+G/F
2. Contact Material: Copper Alloy
3. Plating: Gold Plating
4. Waterproof Rate: IP67
5. Do Mating Test After Glued
6. LOGO



15 Pin Female Connector
PCB Pin Layout
Scale 2:1

RoHS compliant

Scale	1:1					Date	Name	Customer-No.
TOLERANCE						Drawn	24.12.2008	JACK
X.X	±0.25					Approved	24.12.2008	Hellwig
X.XX	±0.10							
X.XXX	±0.05							
DIM	TOL							Drawing-No.
ANGLE	±1°							ASSMANN WSW-No. A-DF 15 AA-WP
X.X°	±X°	①	Drawn	24.12.2008	JACK			ASS 3251 CO rev01
Angle	TOL	Id.	Modification	Date	Name			Replace

1

2

3

4

5

6

7