

TQM666052

Band 2 WCDMA/NCDMA PA+Duplexer module

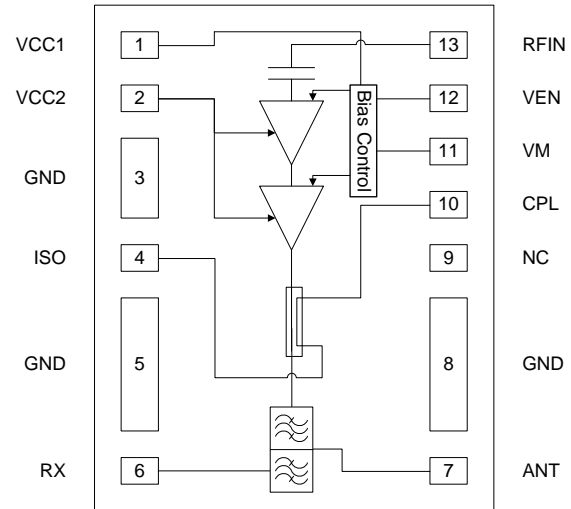
Applications

- WCDMA (voice, HSDPA and HSUPA) and CDMA2000/EVDO Handsets and Data-Cards

Product Features

- Tritium IV PA+ Duplexer Module™ for UMTS Band II (PCS band)
- GaAs BiHEMT PA Core
- 1 bit bias control for mid- and high output power.
- Coupler with external connection to the Isolation Port (allowing daisy-chaining with other bands)
- No external reference voltage is required
- 4.5 mm x 3.5 mm x 1.0 mm LGA module package

Functional Block Diagram



General Description

The Tritium IV module™ is an integrated Power Amplifier, coupler and duplexer optimized for UMTS (voice, HSDPA and HSUPA) and CDMA2000/EVDO Band 2 applications.

The Tritium IV module™ provides excellent RF performance with low current consumption resulting in longer talk times in portable applications. The tiny 3.5x4.5x1.0 mm³ surface mount package is ideal for new generation slim, small and light phones.

Pin Configuration

Pin #	Symbol
1	VCC1
2	VCC2
3,5,8	GND
4	ISO
6	RX
7	ANT
9	NC
10	CPL
11	VM
12	VEN
13	RFIN

Ordering Information

Part No.	Description
TQM666052	Band 2 PAD

Standard T/R size = 2,500 pieces on a 13" reel.