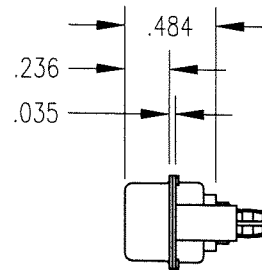
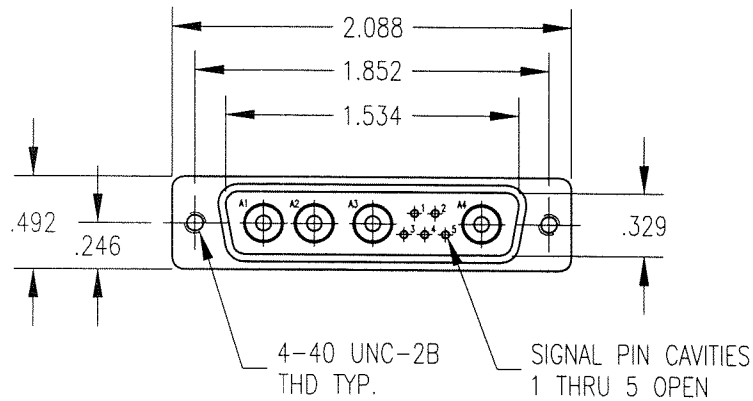
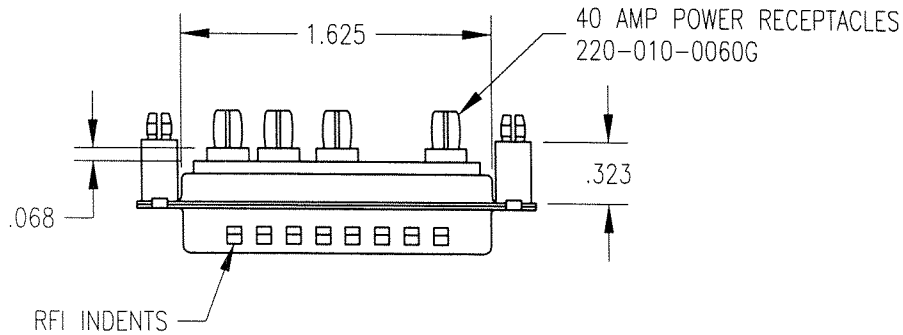


DWG. NO. RM9W4P-1007			
REV	DESCRIPTION	BY DATE	APPD
B	ECR 6517	7/2/99 JMC	[Signature]

NOTES:

- MATERIALS:
SHELL: STEEL PER ASTM A568
INSULATOR: GLASS FILLED POLYESTER
STANDOFFS: BRASS PER ASTM B16
SEE CONTACT SALES DRAWING FOR CONTACT SPECIFICATION
- FINISH:
SHELL: TIN PLATE PER ASTM B545
STANDOFFS: .000050 MIN. NICKEL PER QQ-N-290
INSULATOR: GREEN
SEE CONTACT SALES DRAWING FOR CONTACT SPECIFICATION
- CONTACT ARRANGEMENT:
(4) COMPLIANT PIN POWER CONTACTS, SUPPLIED IN HOUSING
- INSTALLATION TOOL NUMBER T.B.D.
- ELECTRICAL PROPERTIES:
CURRENT RATING: 40 AMPS AT AN AMBIENT EQUIPMENT OPERATING TEMPERATURE OF 65° OR LESS
INSULATION RESISTANCE: 1 MEGOHM MINIMUM



PER ASME Y14.5M-1994 UNLESS OTHERWISE SPECIFIED: DIMENSIONS ARE IN INCHES [MM]				Litton	
TOLERANCES: DECIMALS .xx ± .01/0.254 xxx ± .005/0.127 ANGLES ± 2°				Winchester/Retconn 400 Park Road Watertown, Connecticut 06795	
CUSTOMER DRAWING		SCALE: 1:1		TITLE 9W4P PRESS-FIT CONNECTOR W/ 40 AMP PRESS-FIT CONTACTS	
DRAWN	DATE	CHECKED	DATE	A	RM9W4P-1007
JED	7/2/99	EJW	7/2/99		
APPROVED	DATE	APPROVED	DATE	Sht.	OF
JMC	7/2/99	TLB	7/2/99	1	2
				REV.	B