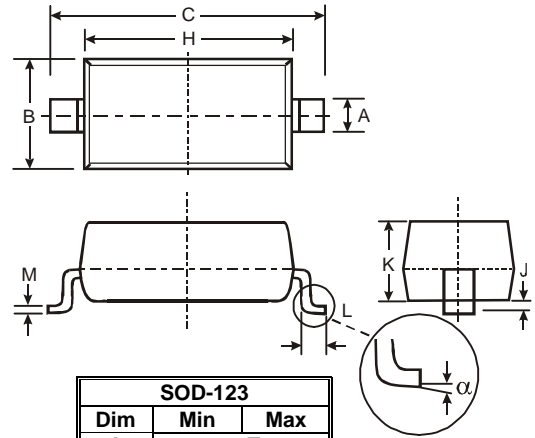


### Features

- Small power mold type.(PMDU)
- Low  $I_R$
- High reliability

### Mechanical Data

- Case: Molded Plastic



SOD-123		
Dim	Min	Max
A	0.55 Typ	
B	1.40	1.70
C	3.55	3.85
H	2.55	2.85
J	0.00	0.10
K	1.00	1.35
L	0.25	0.40
M	0.10	0.15
$\alpha$	0	8°
All Dimensions in mm		

### Maximum Ratings and Electrical Characteristics @ $T_A = 25^\circ\text{C}$ unless otherwise specified

Parameter	Symbol	Limits	Unit			
Reverse voltage (repetitive peak)	$V_{RM}$	40	V			
Reverse voltage (DC)	$V_R$	40	V			
Average rectified forward current	$I_o$	1	A			
Forward current surge peak (60Hz·1cyc)	$I_{FSM}$	30	A			
Junction temperature	$T_j$	150	°C			
Storage temperature	$T_{stg}$	-40 to +150	°C			
Parameter	Symbol	Min.	Typ.	Max.	Unit	Conditions
Forward voltage	$V_F$	-	-	0.55	V	$I_F=1A$
Reverse current	$I_R$	-	-	100	$\mu A$	$V_R=40V$

(\*1)Mounting on epoxy board. ( $T_c=100^\circ\text{C MAX}$ )

