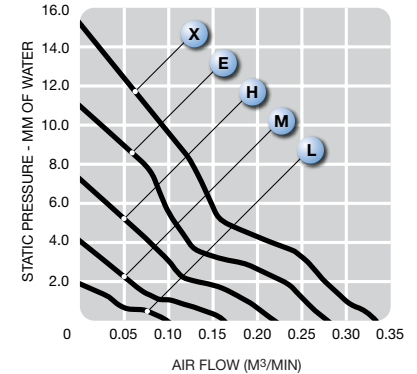
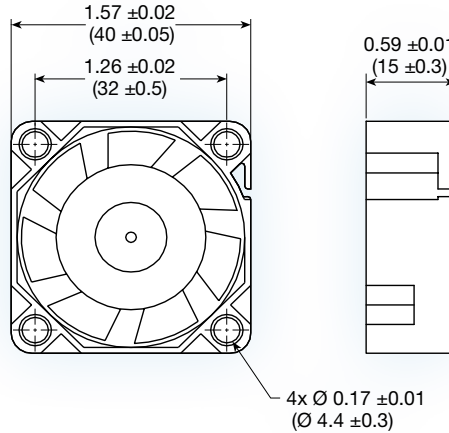


# G4015 series



**(40 x 40 x 15 mm)**

1.57 x 1.57 x 0.59 inches

Construction: UL94V-0 PBT impeller & frame

Bearing option: ball bearing

Connection: AWG 26, UL1061 lead wires

Frame: ribbed

Protection: thermal

Options: tachometer output or locked rotor alarm signal; PWM speed control

Model No.	Rated Voltage V	Current mA			Speed RPM	Air Volume		Max. Static Pressure (H <sub>2</sub> O)		Sound Noise dBa	Weight g
		5	12	24		M <sup>3</sup> /Min.	CFM	MM	INCH		
G4015L	5/12/24	200	80	50	4,000	0.10	4.00	1.84	0.07	20	23
G4015M	5/12/24	300	130	70	6,000	0.16	6.00	4.08	0.16	23	23
G4015H	5/12/24	400	200	90	8,000	0.22	8.00	7.24	0.29	29	23
G4015E	12/24	-	270	110	10,000	0.28	10.00	11.02	0.43	35	23
G4015X	12/24	-	350	160	12,000	0.33	12.00	15.31	0.60	39	23

