

B0530W SCHOTTKY BARRIER DIODE

FEATURES

Power dissipation

P_D : 410 mW ($T_{amb}=25^\circ\text{C}$)

Collector current

I_F : 5.5 A

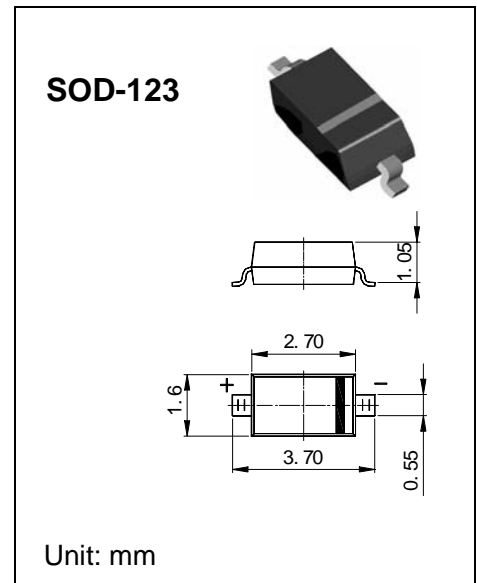
Collector-base voltage

V_R : 30 V

Operating and storage junction temperature range

T_J, T_{stg} : -55°C to $+150^\circ\text{C}$

MARKING: SE



ELECTRICAL CHARACTERISTICS ($T_{amb}=25^\circ\text{C}$ unless otherwise specified)

Parameter	Symbol	Test conditions	MIN	MAX	UNIT
Reverse breakdown voltage	$V_{(BR)}$	$I_R=200$	30		V
Reverse voltage leakage current	I_R	$V_R=15\text{V}$ $V_R=30\text{V}$		20 130	μA
Forward voltage	V_F	$I_F=0.1\text{A}$ $I_F=0.5\text{A}$		0.375 0.43	V
Diode capacitance	C_D	$V_R=0\text{V}, f=1\text{MHz}$		170	pF