



## *AlGaAs Infrared Laser Diode*

## **ADL-85501TL**

DATE : 2006/07/25 Ver 3.0

### *850nm 50mW 5.6 φ TO-Type Laser Diode*

#### • Features

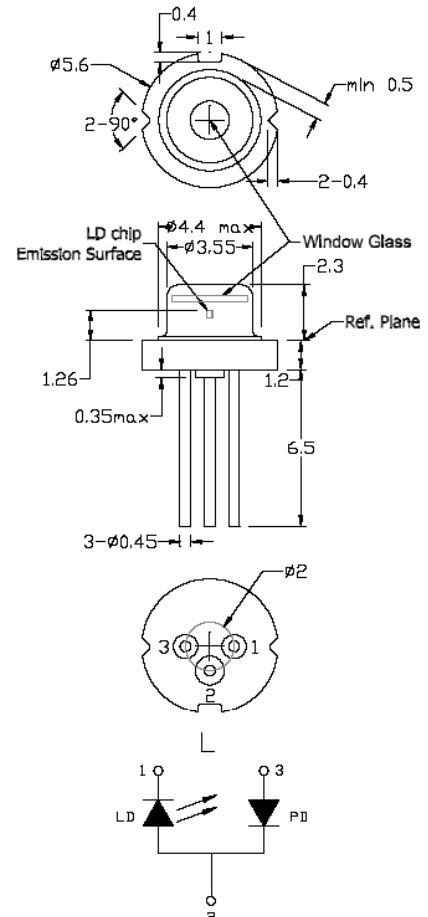
1. Low operation current
2. Cost effective

#### • Applications

1. Bar-code scanner
2. Laser printer
3. Military

#### • Absolute maximum ratings

Parameter	Symbol	Condition	Rating	Unit
Light output power	$P_O$	CW	50	mW
Reverse voltage (LD)	$V_{RL}$	-	3.5	V
Reverse voltage (PD)	$V_{RD}$	-	30	V
Forward current (PD)	$I_{FD}$	-	10	mA
Case temperature	$T_C$	-	-10~+50	°C
Storage temperature	$T_S$	-	-40~+85	°C



#### • Electrical and optical characteristics ( $T_c=25^\circ\text{C}$ )

Parameter	Symbol	Min.	Typ.	Max.	Unit	Conditions
Peak wavelength	$\lambda$	830	845	850	nm	$P_o=50\text{mW}$
Threshold current	$I_{th}$	-	15	25	mA	
Operating current	$I_{op}$	-	75	95	mA	$P_o=50\text{mW}$
Operating voltage	$V_{op}$	-	1.8	2.4	V	$P_o=50\text{mW}$
Differential efficiency	$\eta$	0.7	0.8	1.0	mW/mA	$P_o=40\text{-}50\text{mW}$
Monitor current	$I_m$	0.2	0.5	1.0	mA	$P_o=50\text{mW}, V_{RD}=0\text{V}$
Parallel divergence angle	$\theta_{\parallel}$	9	12	15	degree	$P_o=50\text{mW}$
Perpendicular divergence angle	$\theta_{\perp}$	26	30	35	degree	
Parallel FFP deviation angle	$\Delta\theta_{\parallel}$	-3	-	+3	deg	
Perpendicular FFP deviation angle	$\Delta\theta_{\perp}$	-3	-	+3	deg	
Emission point accuracy	$\Delta x \Delta y$	-80	-	+80	um	
	$\Delta z$	-40	-	+40	um	

#### • Precautions

- \* Do not operate the device above maximum ratings. Doing so may cause unexpected and permanent damage to the device.
- \* Take precautions to avoid electrostatic discharge and/or momentary power spikes. A change in the characteristics of the laser or premature failure may result.
- \* Proper heat sinking of the device assures stability and lifetime. Always ensure that maximum operating temperatures are not exceeded.
- \* Observing visible or invisible laser beams with the human eye directly, or indirectly, can cause permanent damage. Use a camera to observe the laser.
- \* No laser device should be used in any application or situation where life or property is at risk in event of device failure.
- \* Specifications are subject to change without notice. Ensure that you have the latest specification by contacting us prior to purchase or use of the product.