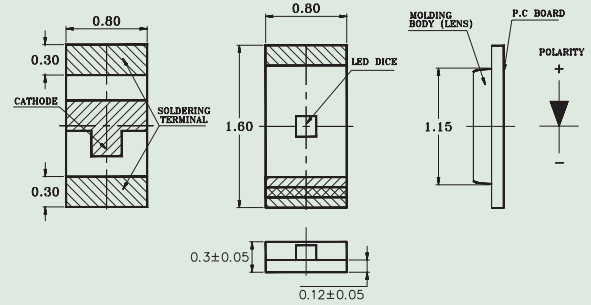
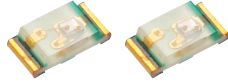
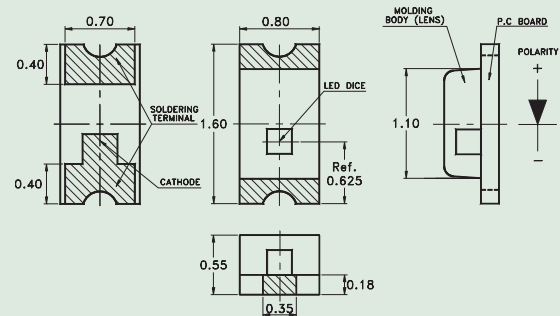
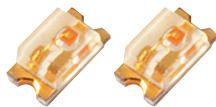


## Top View Chip LED (0603/0.3T) 1.60(L) x 0.8(W) x 0.3(H)mm



Part No.	Material	Lens Color	Wd	Viewing Angle $2\theta^{1/2^*}$	I <sub>v</sub> Typ. @ 5mA	V <sub>F</sub> Typ. @ 5mA	Tape and Reel
LTST-C194TBKT-5A	InGaN Blue	Water Clear	<span style="color: blue;">■</span> 470nm	130°	28mcd	2.9V	3,000 pcs per Reel
LTST-C194TGKT-5A	InGaN Pure Green	Water Clear	<span style="color: green;">■</span> 525nm	130°	90mcd	2.9V	3,000 pcs per Reel
LTST-C194KGKT-5A	AllInGaP Yellow Green	Water Clear	<span style="color: yellow;">■</span> 571nm	130°	12mcd	1.9V	3,000 pcs per Reel
LTST-C194KSKT-5A	AllInGaP Yellow	Water Clear	<span style="color: orange;">■</span> 589nm	130°	22mcd	1.9V	3,000 pcs per Reel
LTST-C194KFKT-5A	AllInGaP Orange	Water Clear	<span style="color: orange;">■</span> 605nm	130°	28mcd	1.9V	3,000 pcs per Reel
LTST-C194KRKT-5A	AllInGaP Red	Water Clear	<span style="color: red;">■</span> 631nm	130°	14mcd	1.9V	3,000 pcs per Reel
LTW-C194TS5	InGaN White	Yellow	(0.30, 0.29)	130°	71mcd	2.9V	3,000 pcs per Reel
LTW-194ZDS5	InGaN White	Yellow	(0.30, 0.29)	130°	112mcd	2.9V	3,000 pcs per Reel

## Top View Chip LED (0603/0.55T) 1.6(L) x 0.8(W) x 0.55(H)mm



Part No.	Material	Lens Color	Wd	Viewing Angle $2\theta^{1/2^*}$	I <sub>v</sub> Typ. @ 20mA	V <sub>F</sub> Typ. @ 20mA	Tape and Reel
LTST-C191TBKT	InGaN Blue	Water Clear	<span style="color: blue;">■</span> 470nm	130°	50mcd	3.3V	3,000 pcs per Reel
LTST-C191TGKT	InGaN Pure Green	Water Clear	<span style="color: green;">■</span> 525nm	130°	150mcd	3.3V	3,000 pcs per Reel
LTST-C191KGKT	AllInGaP Yellow Green	Water Clear	<span style="color: yellow;">■</span> 571nm	130°	35mcd	2.0V	3,000 pcs per Reel
LTST-C191KSKT	AllInGaP Yellow	Water Clear	<span style="color: orange;">■</span> 589nm	130°	50mcd	2.0V	3,000 pcs per Reel
LTST-C191KFKT	AllInGaP Orange	Water Clear	<span style="color: orange;">■</span> 605nm	130°	90mcd	2.0V	3,000 pcs per Reel
LTST-C191KRKT	AllInGaP Red	Water Clear	<span style="color: red;">■</span> 631nm	130°	60mcd	2.0V	3,000 pcs per Reel
LTW-C191TS5	InGaN White	Yellow	(0.30, 0.29)	130°	112mcd @ 5mA	2.9V	3,000 pcs per Reel

# Mouser Electronics

Authorized Distributor

Click to View Pricing, Inventory, Delivery & Lifecycle Information:

[Lite-On:](#)

[LTST-C194KFKT](#) [LTST-C194KGKT](#) [LTST-C194KRKT](#) [LTST-C194KSKT](#)