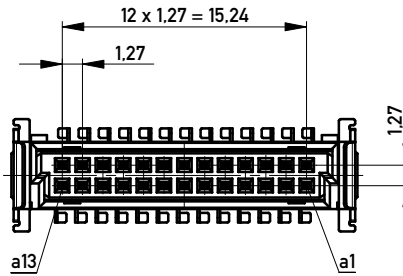
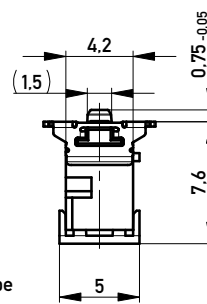
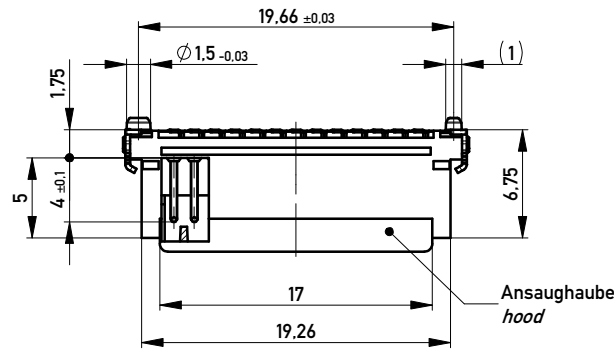
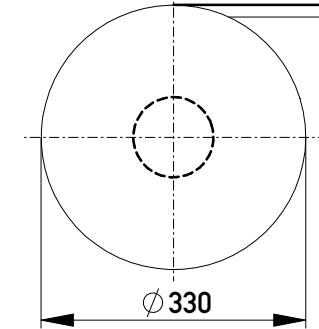


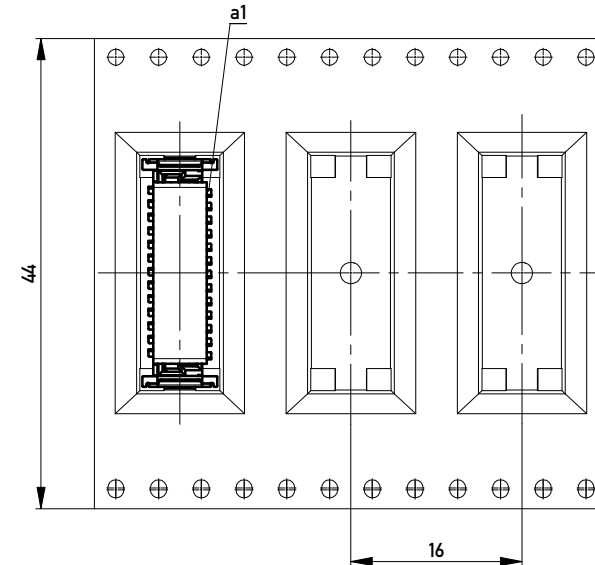
ohne Ansaughaube - without hood



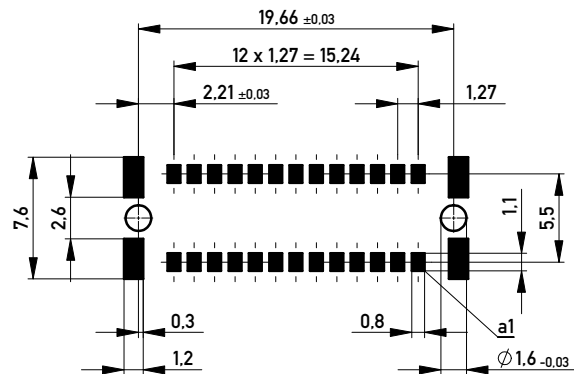
Verpackt in Gurtverpackung
Tape on Reel Packaging
Verpackungseinheit: 280 Stück
Packaging unit: 280 pcs



Abspulrichtung - Reel off Direction



Leiterplatten-Layout Vorschlag für SMT
PCB-Layout Proposal for SMT



Anforderungsstufe 1
Performance Level 1

Kontaktbereich vergoldet
Mating Area gold plating

Anschlussbereich verzinkt 4-6 µm
Terminal Area 4-6 µm tin plating

Koplanarität der Anschlüsse ≤ 0,1 mm
Coplanarity Area of Termination ≤ 0,1 mm

BA 7-13 - 8mm Bauhöhe
type 7-13 - Low Profile

Information:	Tolerances	 All Dimensions in mm	Scale	3:1
	All rights reserved. Only for Information. To ensure that this is the latest version of this drawing, please contact one of the ERNI companies before using.			
Subject to modification without prior notice. Drawing will not be updated.		Designation Messerl. SMC-Q 26-SMD-BA7-13 Male SMC-Q 26-SMD-type7-13		
 www.ERNI.com		102100100001		K A3
d	23.09.2013	Class		
Index	Date	SMCQ		

Copyright by ERNI GmbH. Proprietary notice pursuant to ISO 16949 to be observed.