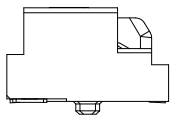
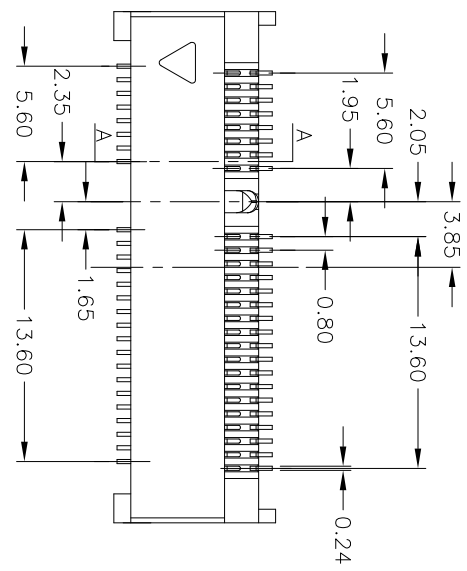
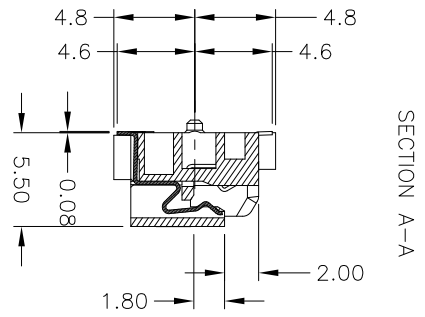
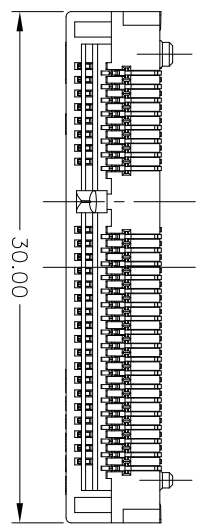
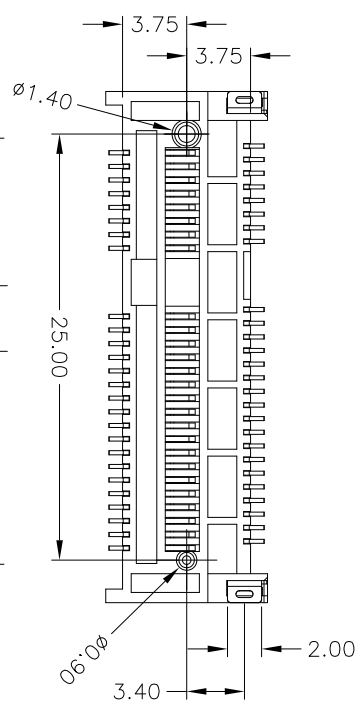


Rev	AWO #	Description	Date	Appr
-		RELEASED	5/12/10	

APPROVED: \_\_\_\_\_  
 DATE: \_\_\_\_\_ TITLE: \_\_\_\_\_



**ADAM TECH**  
 909 Rahway Avenue, Union, NJ 07083  
 Phone: 908-687-5000 Fax: 908-687-5710

TITLE: MINI PCI EXPRESS CONNECTOR, STAND OFF =5.6MM

UNLESS OTHERWISE SPECIFIED  
 ALL DIMENSIONS ARE MILLIMETERS  
 TOLERANCES: EXCEPT AS NOTED  
 INCHES

.X ± 0.25  
 .XX ± 0.15  
 .XXX ± 0.05

APPROVALS

DATE: 5/12/10

DRAWN: DY

CHECKED: \_\_\_\_\_  
 APPROVED: \_\_\_\_\_

SIZE: X  
 PART NO.: MPCI-XXXXX  
 REF: S00009T  
 SCALE: NTS  
 SHEET 1 OF 2

REV: -

RECOMMENDED SOLDERING TEMP: 260°C FOR 5 SEC.

ENVIRONMENTAL: LEAD FREE, ROHS COMPLIANT.

OPERATING TEMPERATURE: -40°C TO +90°C

TEMPERATURE RATING: 500 MOHMS MIN

INSULATION RESISTANCE: 30 MOHMS MAX

CONTACT RESISTANCE: 50V AC

RATING VOLTAGE: 0.5A MAX/1PIN

ELECTRICAL: TIN OVER COPPER UNDERPLATE ON TAILS.

PLATING: GOLD FLASH OVER NICKEL UNDERPLATE ON CONTACT AREA.

HOLD DOWN: BRASS, TIN PLATED

CONTACTS: PHOSPHOR BRONZE

INSULATOR: LCP, RATED UL94V-0

MATERIAL: SPECIFICATIONS:

6 5 4 3 2 1

ROHS COMPLIANT