

DNV-3 SERIES, 3WATT, 2:1 INPUT RANGE
FEATURES:

- ✓ 3 years warranty
- ✓ 1500Vdc isolation voltage
- ✓ Metal/Plastic case with low ripple and noise
- ✓ Operating temperature range -40°C to +85°C
- ✓ Short circuit and input under voltage protection



Model	Input voltage (Vdc)	Output voltage (Vdc)	Output current (mA)	Efficiency Typ.
DNV3-1211	12(9~18)	5	600	82%
DNV3-1212		12	250	82%
DNV3-1213		24	125	82%
DNV3-1221		±5	300	82%
DNV3-1222		±12	125	82%
DNV3-1223		±15	100	82%
DNV3-1224		±24	60	82%
DNV3-2411	24(18~36)	5	600	82%
DNV3-2412		12	250	82%
DNV3-2413		24	125	82%
DNV3-2421		±5	300	82%
DNV3-2422		±12	125	82%
DNV3-2423		±15	100	82%
DNV3-2424		±24	60	82%
DNV3-4811	48(36~72)	5	600	82%
DNV3-4812		12	250	82%
DNV3-4813		24	125	82%
DNV3-4821		±5	300	82%
DNV3-4822		±12	125	82%
DNV3-4823		±15	100	82%
DNV3-4824		±24	60	82%

Notes: other input and output models may available on request.

Above models are default to plastic case, you may request for the models with metal case, plus "M" in the suffix.

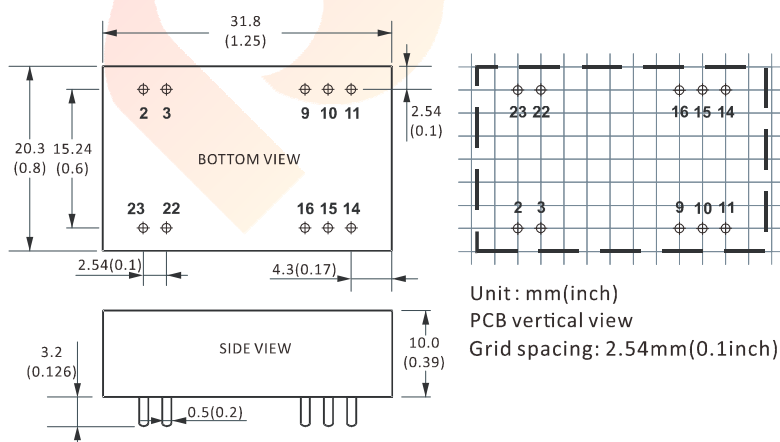
ELECTRICAL

Output voltage accuracy	---	Vo1, Vo2 : ±1.0%, ±3.0%
Line regulation	Nominal Load, full voltage	Vo1, Vo2 : ±0.2%, ±1.5%
Load regulation	20% ~ 100% full load	Vo1, Vo2 : ±0.5%, ±4.0%

DNV-3 SERIES, 3WATT, 2:1 INPUT RANGE
ELECTRICAL

Dynamic response (transient/recovery time)	5%-50%-75% load capability	$\Delta V_{o1}/\Delta t : \pm 4.0\%/500\mu s$
Ripple and noise	20MHz BM, full load	$V_o \leq 5.0V, \leq 50mVp-p$ $V_o \geq 48V, \leq 180mVp-p$ Other, $\leq 100mVp-p$
Operating frequency	Typical value	300KHz typ./330KHz max.
Turn-on delay time	Typical value	$\leq 200ms$
Isolation voltage ($< 0.5mA/min$)	Input to output Input to case	1500Vdc 500Vdc
Efficiency	Nominal input, full load	$V_o \leq 5.0V, 80\%$ typ. $V_o > 5.0V, 82\%$ typ.
Operating temperature range	---	$-40^\circ C$ to $+85^\circ C$
Storage temperature range	---	$-55^\circ C$ to $+120^\circ C$
Short circuit protection	---	Auto-recovery
Input under voltage protection	When input voltage is lower than the low terminal input voltage	Auto-recovery
Relative humidity	---	10%-90%
MTBF	Bellcore TR-332, $25^\circ C$	2×10^5 Hrs

Notes: Unless otherwise specified, all the parameters of the test conditions are as follows: ambient temperature $25^\circ C$, the nominal input voltage, pure resistive nominal load.

MECHANICAL

CONNECTION

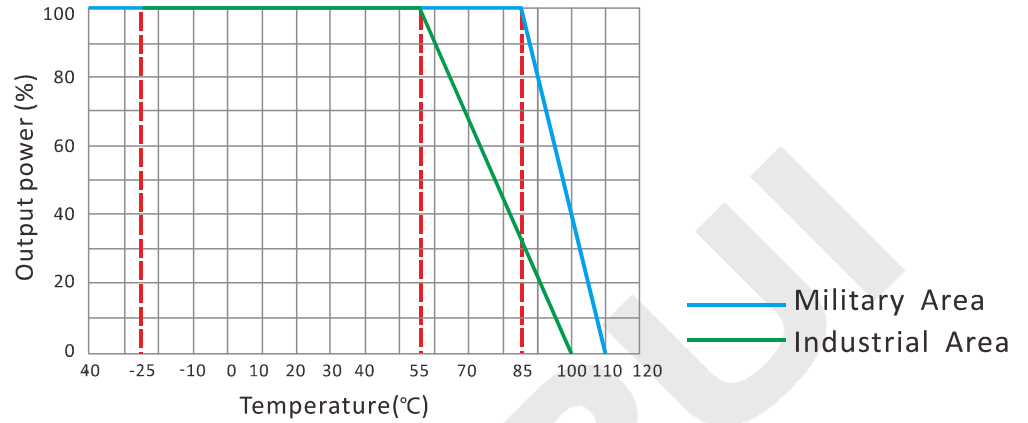
PIN #	SINGLE	DUAL	ISOLATED TWIN
2	-Vin	-Vin	-Vin
3	-Vin	-Vin	-Vin
9	NC	COM	GND2
10	No Pin	No Pin	No Pin
11	NC	-Vo2	+Vo2
14	+Vo	+Vo1	+Vo1
15	No Pin	No Pin	No Pin
16	GND	COM	GND1
22	+Vin	+Vin	+Vin
23	+Vin	+Vin	+Vin

Note:

* Unit is mm(inch).

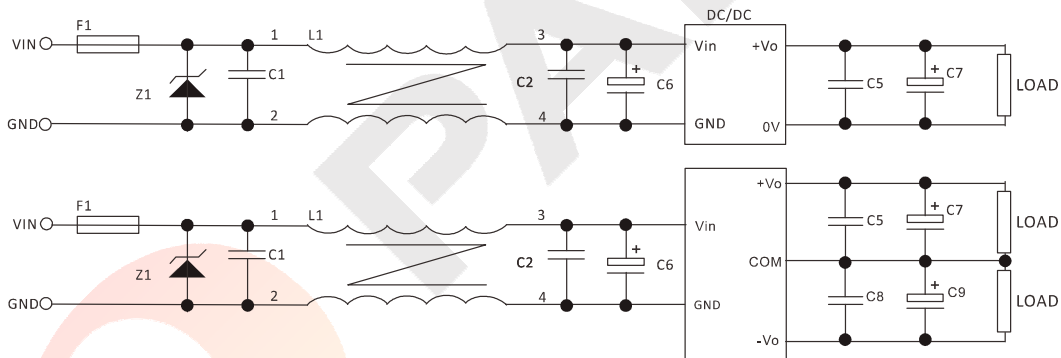
DNV-3 SERIES, 3WATT, 2:1 INPUT RANGE

TEMPERATURE PROFILE



NOTES

RECOMMENDED TEST AND APPLICATION CIRCUIT



FUSE: depends on the actual input current;

TVS: depends on the actual input voltage;

Recommended capacitor: C1,C2,C5,C8, about 0.1uF; C6: 22uF-100uF; C7, C9: 10uF/10mA.