

A FEATURES

- Magnetic epoxy shielded construction reduces 30% or more component volume
- Shielded construction reduces leakage flux and EMI
- Metallization on ferrite core results in excellent shock resistance and damage-free durability
- 30% higher current rating than conventional inductors of equal size
- Save PCB real estate and save more power
- Operating Temperature range from -40°C to +125°C (Including Self-heating)
- 260°C reflow peak temperature qualified



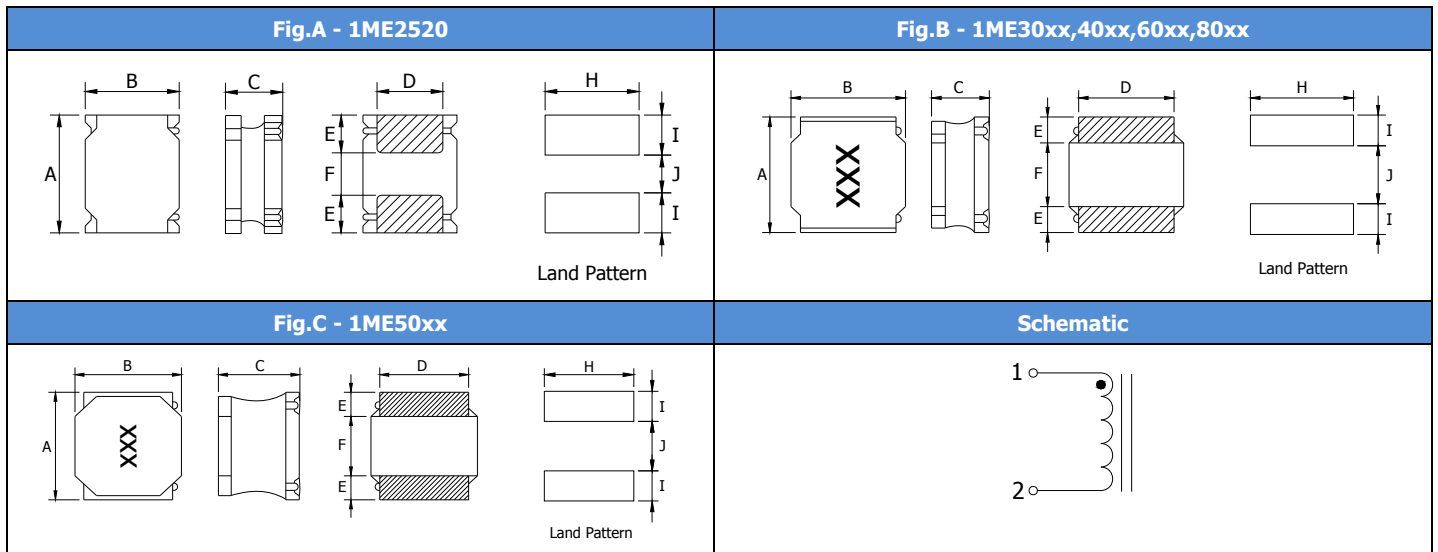
B PART NUMBER SYSTEM

1ME 3010 - 100 M F
 ① ② ③ ④ ⑤

①	Series
1ME	Series Code
③	Inductance Code
e.g.	Calculation
2R2	2.2μH
100	10×10 ⁰ μH = 10μH
101	10×10 ¹ μH = 100μH
④	Inductance Tolerance
M	±20%
N	±30%
⑤	RoHS Compliant

②	Dimension Code (L*W*H) (mm)	
	252010(2.5×2.0×1.0)	252012 (2.5×2.0×1.2)
	3010(3.0×3.0×1.0)	3012(3.0×3.0×1.2)
	3015(3.0×3.0×1.5)	4010(4.0×4.0×1.0)
	4012(4.0×4.0×1.2)	4018(4.0×4.0×1.8)
	4020(4.0×4.0×2.0)	4026(4.0×4.0×2.6)
	4030(4.0×4.0×3.0)	5012(5.0×5.0×1.2)
	5020(5.0×5.0×2.0)	5040(5.0×5.0×4.0)
	6020(6.0×6.0×2.0)	6028(6.0×6.0×2.8)
	6045(6.0×6.0×4.5)	8040(8.0×8.0×4.0)

C DRAWINGS AND DIMENSIONS



XXX = Inductance value

Case Size	Dimensions (mm)									Fig.
	A	B	C _{max}	D	E	F	H _{ref.}	I _{ref.}	J _{ref.}	
1ME252010	2.5±0.1	2.0±0.1	1.0	1.5±0.2	0.8±0.2	0.8±0.2	2.0	0.85	0.8	A
1ME252012	2.5±0.1	2.0±0.1	1.2	1.5±0.2	0.8±0.2	0.8±0.2	2.0	0.85	0.8	A
1ME3010	3.0±0.2	3.0±0.2	1.0	2.5±0.2	0.75±0.2	1.5±0.2	2.7	0.8	1.5	B
1ME3012	3.0±0.2	3.0±0.2	1.2	2.5±0.2	0.75±0.2	1.5±0.2	2.7	0.8	1.5	B
1ME3015	3.0±0.2	3.0±0.2	1.5	2.5±0.2	0.75±0.2	1.5±0.2	2.7	0.8	1.5	B
1ME4010	4.0±0.2	4.0±0.2	1.0	3.3±0.2	0.95±0.2	2.1±0.2	3.7	1.1	1.9	B
1ME4012	4.0±0.2	4.0±0.2	1.2	3.3±0.2	0.95±0.2	2.1±0.2	3.7	1.1	1.9	B
1ME4018	4.0±0.2	4.0±0.2	1.8	3.3±0.2	0.95±0.2	2.1±0.2	3.7	1.1	1.9	B
1ME4020	4.0±0.2	4.0±0.2	2.0	3.3±0.2	0.95±0.2	2.1±0.2	3.7	1.1	1.9	B
1ME4026	4.0±0.2	4.0±0.2	2.6	3.3±0.2	0.95±0.2	2.1±0.2	3.7	1.1	1.9	B
1ME4030	4.0±0.2	4.0±0.2	3.0	3.3±0.2	0.95±0.2	2.1±0.2	3.7	1.1	1.9	B
1ME5012	5.0±0.2	5.0±0.2	1.2	4.0±0.2	1.25±0.2	2.5±0.2	4.4	1.5	2.1	C
1ME5020	5.0±0.2	5.0±0.2	2.0	4.0±0.2	1.25±0.2	2.5±0.2	4.2	1.4	2.3	C
1ME5040	5.0±0.2	5.0±0.2	4.0	4.0±0.2	1.25±0.2	2.5±0.2	4.2	1.4	2.3	C
1ME6020	6.0±0.3	6.0±0.3	2.0	4.9±0.2	1.55±0.3	2.9±0.2	5.7	1.7	2.8	B
1ME6028	6.0±0.3	6.0±0.3	2.8	4.9±0.2	1.55±0.3	2.9±0.2	5.7	1.7	2.8	B
1ME6045	6.0±0.3	6.0±0.3	4.5	4.9±0.2	1.55±0.3	2.9±0.2	5.7	1.7	2.8	B
1ME8040	8.0±0.3	8.0±0.3	4.0	6.3±0.2	2.00±0.3	4.0±0.2	7.5	2.2	3.8	B

D SPECIFICATIONS

Part Number	Inductance ¹		DCR ²		Irms ³ (A)	Isat ⁴ (A)	Drawing
	μH	Tolerance	Typ.(Ω)	Max.(Ω)			Fig.
1ME252010-R47NF	0.47	±30%	0.047	0.056	2.35	3.35	A
1ME252010-R68NF	0.68	±30%	0.062	0.074	2.00	2.75	A
1ME252010-1R0NF	1.0	±30%	0.090	0.108	1.65	2.20	A
1ME252010-1R5NF	1.5	±30%	0.152	0.182	1.30	2.10	A
1ME252010-2R2NF	2.2	±30%	0.174	0.209	1.20	1.60	A
1ME252010-3R3MF	3.3	±20%	0.273	0.328	0.90	1.30	A
1ME252010-4R7MF	4.7	±20%	0.469	0.563	0.70	1.15	A
1ME252010-6R8MF	6.8	±20%	0.747	0.896	0.59	0.92	A
1ME252010-100MF	10	±20%	0.910	1.092	0.50	0.78	A
1ME252012-R47NF	0.47	±30%	0.047	0.056	2.15	4.27	A
1ME252012-R68NF	0.68	±30%	0.057	0.068	1.95	3.68	A
1ME252012-1R0NF	1.0	±30%	0.069	0.083	1.93	2.90	A
1ME252012-1R2NF	1.2	±30%	0.099	0.119	1.46	2.67	A
1ME252012-1R5MF	1.5	±20%	0.113	0.136	1.40	2.51	A
1ME252012-2R2MF	2.2	±20%	0.166	0.199	1.15	2.07	A
1ME252012-2R7MF	2.7	±20%	0.184	0.221	1.09	1.92	A
1ME252012-3R3MF	3.3	±20%	0.203	0.244	1.04	1.80	A
1ME252012-3R6MF	3.6	±20%	0.268	0.322	0.90	1.64	A
1ME252012-4R3MF	4.3	±20%	0.290	0.348	0.87	1.53	A
1ME252012-4R7MF	4.7	±20%	0.290	0.348	0.84	1.25	A
1ME252012-5R1MF	5.1	±20%	0.385	0.462	0.75	1.37	A
1ME252012-5R6MF	5.6	±20%	0.414	0.497	0.73	1.25	A
1ME252012-6R2MF	6.2	±20%	0.417	0.500	0.73	1.16	A
1ME252012-6R8MF	6.8	±20%	0.447	0.536	0.69	1.09	A
1ME252012-7R5MF	7.5	±20%	0.470	0.564	0.68	1.09	A
1ME252012-8R2MF	8.2	±20%	0.506	0.607	0.65	1.10	A
1ME252012-9R1MF	9.1	±20%	0.531	0.637	0.62	1.02	A
1ME252012-100MF	10	±20%	0.531	0.637	0.62	0.88	A
1ME252012-120MF	12	±20%	0.827	0.992	0.51	0.88	A
1ME252012-150MF	15	±20%	1.224	1.469	0.42	0.77	A
1ME252012-220MF	22	±20%	1.520	1.824	0.38	0.59	A
1ME3010-1R0NF	1.0	±30%	0.065	0.085	1.45	1.40	B
1ME3010-1R5NF	1.5	±30%	0.080	0.104	1.30	1.27	B
1ME3010-2R2NF	2.2	±30%	0.110	0.143	1.09	1.15	B
1ME3010-2R7NF	2.7	±30%	0.130	0.169	1.02	1.00	B
1ME3010-3R3NF	3.3	±30%	0.145	0.189	0.96	0.97	B
1ME3010-3R6MF	3.6	±20%	0.165	0.215	0.90	0.95	B
1ME3010-4R7MF	4.7	±20%	0.225	0.293	0.77	0.75	B
1ME3010-6R8MF	6.8	±20%	0.305	0.397	0.66	0.55	B
1ME3010-100MF	10	±20%	0.400	0.520	0.58	0.55	B
1ME3010-120MF	12	±20%	0.505	0.657	0.52	0.43	B
1ME3010-150MF	15	±20%	0.610	0.793	0.47	0.42	B
1ME3010-220MF	22	±20%	0.930	1.209	0.38	0.35	B
1ME3010-270MF	27	±20%	1.080	1.404	0.35	0.30	B
1ME3010-330MF	33	±20%	1.550	2.015	0.30	0.29	B
1ME3010-390MF	39	±20%	1.750	2.275	0.28	0.28	B
1ME3010-430MF	43	±20%	1.800	2.340	0.27	0.23	B
1ME3010-470MF	47	±20%	1.950	2.535	0.26	0.22	B
1ME3010-510MF	51	±20%	2.200	2.860	0.25	0.21	B
1ME3010-560MF	56	±20%	2.320	3.016	0.24	0.21	B
1ME3012-R82NF	0.82	±30%	0.030	0.039	2.47	2.05	B
1ME3012-1R0NF	1.0	±30%	0.040	0.052	2.20	1.87	B
1ME3012-1R2NF	1.2	±30%	0.045	0.059	2.01	2.22	B
1ME3012-1R5NF	1.5	±30%	0.045	0.059	2.01	1.62	B

Part Number	Inductance ¹		DCR ²			Drawing	
	μH	Tolerance	Typ.(Ω)	Max.(Ω)	Irms ³ (A)	Isat ⁴ (A)	Fig.
1ME3012-1R8NF	1.8	±30%	0.063	0.082	1.65	1.30	B
1ME3012-2R2NF	2.2	±30%	0.075	0.098	1.55	1.20	B
1ME3012-2R4NF	2.4	±30%	0.068	0.088	1.60	1.15	B
1ME3012-2R7NF	2.7	±30%	0.085	0.111	1.48	1.14	B
1ME3012-3R3MF	3.3	±20%	0.100	0.130	1.36	1.05	B
1ME3012-3R9MF	3.9	±20%	0.145	0.189	1.24	1.00	B
1ME3012-4R7MF	4.7	±20%	0.120	0.156	1.24	0.90	B
1ME3012-6R8MF	6.8	±20%	0.190	0.247	0.98	0.75	B
1ME3012-100MF	10	±20%	0.265	0.345	0.83	0.60	B
1ME3012-120MF	12	±20%	0.345	0.449	0.73	0.48	B
1ME3012-150MF	15	±20%	0.360	0.468	0.71	0.45	B
1ME3012-180MF	18	±20%	0.545	0.709	0.58	0.43	B
1ME3012-220MF	22	±20%	0.645	0.839	0.53	0.42	B
1ME3012-270MF	27	±20%	0.870	1.131	0.47	0.36	B
1ME3012-330MF	33	±20%	0.875	1.138	0.46	0.35	B
1ME3012-360MF	36	±20%	0.950	1.235	0.44	0.34	B
1ME3012-390MF	39	±20%	1.330	1.729	0.37	0.30	B
1ME3012-470MF	47	±20%	1.450	1.885	0.35	0.27	B
1ME3012-680MF	68	±20%	1.670	2.171	0.33	0.24	B
1ME3012-820MF	82	±20%	2.540	3.302	0.27	0.17	B
1ME3012-101MF	100	±20%	2.860	3.718	0.25	0.21	B
1ME3015-1R0NF	1.0	±30%	0.030	0.039	2.35	2.32	B
1ME3015-1R2NF	1.2	±30%	0.040	0.052	1.95	2.21	B
1ME3015-1R5NF	1.5	±30%	0.050	0.065	1.70	2.30	B
1ME3015-1R8NF	1.8	±30%	0.050	0.065	1.70	1.75	B
1ME3015-2R2NF	2.2	±30%	0.060	0.078	1.60	1.60	B
1ME3015-2R7NF	2.7	±30%	0.075	0.098	1.43	1.52	B
1ME3015-3R3MF	3.3	±20%	0.080	0.104	1.36	1.32	B
1ME3015-3R6MF	3.6	±20%	0.105	0.137	1.20	1.28	B
1ME3015-4R3MF	4.3	±20%	0.115	0.150	1.14	1.20	B
1ME3015-4R7MF	4.7	±20%	0.125	0.163	1.09	1.10	B
1ME3015-5R1MF	5.1	±20%	0.133	0.173	1.05	1.00	B
1ME3015-6R2MF	6.2	±20%	0.195	0.254	0.86	1.00	B
1ME3015-6R8MF	6.8	±20%	0.200	0.260	0.85	0.85	B
1ME3015-100MF	10	±20%	0.250	0.325	0.77	0.72	B
1ME3015-120MF	12	±20%	0.320	0.416	0.68	0.70	B
1ME3015-150MF	15	±20%	0.350	0.455	0.65	0.66	B
1ME3015-180MF	18	±20%	0.430	0.559	0.59	0.56	B
1ME3015-220MF	22	±20%	0.460	0.598	0.57	0.52	B
1ME3015-270MF	27	±20%	0.730	0.949	0.45	0.48	B
1ME3015-330MF	33	±20%	0.820	1.066	0.43	0.44	B
1ME3015-390MF	39	±20%	0.995	1.294	0.39	0.41	B
1ME3015-430MF	43	±20%	1.060	1.378	0.37	0.37	B
1ME3015-470MF	47	±20%	1.250	1.625	0.35	0.35	B
1ME3015-560MF	56	±20%	1.280	1.664	0.34	0.33	B
1ME3015-620MF	62	±20%	1.610	2.093	0.30	0.30	B
1ME3015-680MF	68	±20%	2.700	3.510	0.23	0.28	B
1ME4010-1R0NT	1.0	±30%	0.056	0.067	1.90	2.00	B
1ME4010-1R5NT	1.5	±30%	0.070	0.084	1.70	1.68	B
1ME4010-2R2MT	2.2	±20%	0.085	0.102	1.50	1.20	B
1ME4010-3R3MT	3.3	±20%	0.100	0.120	1.40	1.10	B
1ME4010-4R7MT	4.7	±20%	0.140	0.168	1.20	0.95	B
1ME4010-6R8MT	6.8	±20%	0.200	0.240	1.00	0.80	B
1ME4010-100MT	10	±20%	0.300	0.360	0.75	0.62	B
1ME4010-150MT	15	±20%	0.430	0.516	0.60	0.54	B
1ME4010-220MT	22	±20%	0.570	0.684	0.50	0.45	B
1ME4012-R82NF	0.82	±30%	0.050	0.065	1.65	3.02	B

Part Number	Inductance ¹		DCR ²			Drawing	
	μH	Tolerance	Typ.(Ω)	Max.(Ω)	Irms ³ (A)	Isat ⁴ (A)	Fig.
1ME4012-1R0NF	1.0	±30%	0.050	0.065	1.65	2.61	B
1ME4012-1R5NF	1.5	±30%	0.065	0.085	1.46	2.10	B
1ME4012-1R8NF	1.8	±30%	0.080	0.104	1.32	2.12	B
1ME4012-2R2NF	2.2	±30%	0.080	0.104	1.32	1.76	B
1ME4012-2R7NF	2.7	±30%	0.090	0.117	1.25	1.90	B
1ME4012-3R3NF	3.3	±30%	0.110	0.143	1.12	1.72	B
1ME4012-3R6NF	3.6	±30%	0.110	0.143	1.12	1.20	B
1ME4012-4R3NF	4.3	±30%	0.140	0.182	1.00	1.58	B
1ME4012-4R7NF	4.7	±30%	0.125	0.163	1.05	1.15	B
1ME4012-5R1NF	5.1	±30%	0.155	0.202	0.95	1.55	B
1ME4012-5R6NF	5.6	±30%	0.140	0.182	1.00	1.00	B
1ME4012-6R8MF	6.8	±20%	0.198	0.257	0.84	0.85	B
1ME4012-100MF	10	±20%	0.265	0.345	0.77	0.80	B
1ME4012-120MF	12	±20%	0.290	0.377	0.70	0.66	B
1ME4012-150MF	15	±20%	0.340	0.442	0.64	0.56	B
1ME4012-180MF	18	±20%	0.470	0.611	0.55	0.55	B
1ME4012-220MF	22	±20%	0.587	0.763	0.49	0.46	B
1ME4012-270MF	27	±20%	0.720	0.936	0.45	0.50	B
1ME4012-330MF	33	±20%	0.810	1.053	0.42	0.42	B
1ME4012-360MF	36	±20%	0.900	1.170	0.40	0.40	B
1ME4012-390MF	39	±20%	1.100	1.430	0.37	0.55	B
1ME4012-470MF	47	±20%	1.100	1.430	0.37	0.35	B
1ME4012-560MF	56	±20%	1.250	1.625	0.33	0.33	B
1ME4012-680MF	68	±20%	1.950	2.535	0.27	0.38	B
1ME4012-820MF	82	±20%	2.140	2.782	0.26	0.28	B
1ME4012-101MF	100	±20%	2.210	2.873	0.25	0.25	B
1ME4018-1R0NF	1.0	±30%	0.025	0.033	2.00	4.80	B
1ME4018-1R5NF	1.5	±30%	0.030	0.039	1.80	3.35	B
1ME4018-2R2MF	2.2	±20%	0.045	0.059	1.65	2.70	B
1ME4018-3R3MF	3.3	±20%	0.070	0.091	1.23	2.45	B
1ME4018-4R7MF	4.7	±20%	0.090	0.117	1.20	1.70	B
1ME4018-6R8MF	6.8	±20%	0.110	0.143	1.06	1.45	B
1ME4018-100MF	10	±20%	0.180	0.234	0.84	1.30	B
1ME4018-150MF	15	±20%	0.250	0.325	0.65	0.94	B
1ME4018-220MF	22	±20%	0.360	0.468	0.59	0.80	B
1ME4018-330MF	33	±20%	0.530	0.689	0.49	0.56	B
1ME4018-470MF	47	±20%	0.650	0.845	0.42	0.57	B
1ME4018-680MF	68	±20%	1.000	1.300	0.32	0.47	B
1ME4018-101MF	100	±20%	1.750	2.275	0.25	0.40	B
1ME4018-151MF	150	±20%	2.500	3.250	0.22	0.31	B
1ME4018-221MF	220	±20%	4.000	5.200	0.17	0.27	B
1ME4020-1R0NF	1	±30%	0.029	0.038	2.15	4.78	B
1ME4020-1R2NF	1.2	±30%	0.029	0.038	2.15	5.10	B
1ME4020-1R5NF	1.5	±30%	0.035	0.046	1.98	4.45	B
1ME4020-2R2NF	2.2	±30%	0.040	0.052	1.85	3.40	B
1ME4020-3R3MF	3.3	±20%	0.070	0.091	1.40	3.20	B
1ME4020-3R6MF	3.6	±20%	0.055	0.072	1.54	2.80	B
1ME4020-4R7MF	4.7	±20%	0.075	0.098	1.34	2.35	B
1ME4020-5R1MF	5.1	±20%	0.085	0.111	1.27	2.30	B
1ME4020-5R6MF	5.6	±20%	0.090	0.117	1.22	2.20	B
1ME4020-6R2MF	6.2	±20%	0.115	0.150	1.08	2.15	B
1ME4020-6R8MF	6.8	±20%	0.125	0.163	1.04	2.20	B
1ME4020-7R5MF	7.5	±20%	0.115	0.150	1.08	1.85	B
1ME4020-8R2MF	8.2	±20%	0.125	0.163	1.04	1.75	B
1ME4020-100MF	10	±20%	0.165	0.215	0.90	1.60	B
1ME4020-120MF	12	±20%	0.175	0.228	0.88	1.50	B
1ME4020-150MF	15	±20%	0.230	0.299	0.77	1.35	B

Part Number	Inductance ¹		DCR ²			Drawing	
	μH	Tolerance	Typ.(Ω)	Max.(Ω)	Irms ³ (A)	Isat ⁴ (A)	Fig.
1ME4020-220MF	22	±20%	0.350	0.455	0.62	1.05	B
1ME4020-270MF	27	±20%	0.545	0.709	0.50	1.02	B
1ME4020-330MF	33	±20%	0.550	0.715	0.49	0.85	B
1ME4020-390MF	39	±20%	0.650	0.845	0.46	0.82	B
1ME4020-430MF	43	±20%	0.660	0.858	0.45	0.77	B
1ME4020-470MF	47	±20%	0.710	0.923	0.44	0.74	B
1ME4020-510MF	51	±20%	0.750	0.975	0.42	0.70	B
1ME4020-560MF	56	±20%	0.800	1.040	0.41	0.66	B
1ME4020-620MF	62	±20%	0.900	1.170	0.39	0.65	B
1ME4020-680MF	68	±20%	1.060	1.378	0.36	0.61	B
1ME4020-750MF	75	±20%	1.160	1.508	0.35	0.70	B
1ME4020-820MF	82	±20%	1.170	1.521	0.34	0.50	B
1ME4020-101MF	100	±20%	1.550	2.015	0.31	0.48	B
1ME4026-1R2NF	1.2	±30%	0.030	0.039	2.30	3.10	B
1ME4026-1R5NF	1.5	±30%	0.030	0.039	2.30	2.40	B
1ME4026-2R2MF	2.2	±20%	0.040	0.052	2.00	2.10	B
1ME4026-3R3MF	3.3	±20%	0.050	0.065	1.70	1.80	B
1ME4026-4R7MF	4.7	±20%	0.055	0.072	1.60	1.45	B
1ME4026-6R8MF	6.8	±20%	0.065	0.085	1.50	1.30	B
1ME4026-100MF	10	±20%	0.085	0.111	1.30	1.00	B
1ME4026-150MF	15	±20%	0.110	0.143	1.10	0.90	B
1ME4026-220MF	22	±20%	0.165	0.215	0.90	0.60	B
1ME4026-330MF	33	±20%	0.270	0.351	0.70	0.55	B
1ME4026-470MF	47	±20%	0.300	0.390	0.65	0.40	B
1ME4030-R91NF	0.91	±30%	0.013	0.017	4.00	6.25	B
1ME4030-1R2NF	1.2	±30%	0.015	0.020	3.82	5.80	B
1ME4030-1R5NF	1.5	±30%	0.020	0.026	3.34	4.84	B
1ME4030-1R8NF	1.8	±30%	0.028	0.036	3.00	4.80	B
1ME4030-2R2NF	2.2	±30%	0.030	0.039	2.95	4.40	B
1ME4030-3R3MF	3.3	±20%	0.040	0.052	2.40	3.30	B
1ME4030-4R3MF	4.3	±20%	0.055	0.072	2.10	2.95	B
1ME4030-4R7MF	4.7	±20%	0.060	0.078	2.00	2.90	B
1ME4030-5R6MF	5.6	±20%	0.065	0.085	1.95	2.60	B
1ME4030-6R8MF	6.8	±20%	0.090	0.117	1.60	2.75	B
1ME4030-7R5MF	7.5	±20%	0.085	0.111	1.65	2.20	B
1ME4030-8R2MF	8.2	±20%	0.090	0.117	1.60	2.10	B
1ME4030-100MF	10	±20%	0.100	0.130	1.50	1.95	B
1ME4030-120MF	12	±20%	0.135	0.176	1.30	1.70	B
1ME4030-150MF	15	±20%	0.190	0.247	1.11	1.65	B
1ME4030-180MF	18	±20%	0.200	0.260	1.10	1.40	B
1ME4030-220MF	22	±20%	0.225	0.293	1.00	1.30	B
1ME4030-330MF	33	±20%	0.330	0.429	0.84	1.10	B
1ME4030-360MF	36	±20%	0.335	0.436	0.83	1.05	B
1ME4030-390MF	39	±20%	0.435	0.566	0.73	1.03	B
1ME4030-470MF	47	±20%	0.445	0.579	0.72	0.95	B
1ME4030-510MF	51	±20%	0.470	0.611	0.70	0.90	B
1ME4030-560MF	56	±20%	0.555	0.722	0.65	0.85	B
1ME4030-620MF	62	±20%	0.585	0.761	0.63	0.80	B
1ME4030-680MF	68	±20%	0.868	1.128	0.52	0.72	B
1ME4030-750MF	75	±20%	1.020	1.326	0.48	0.70	B
1ME4030-820MF	82	±20%	1.060	1.378	0.47	0.66	B
1ME4030-910MF	91	±20%	1.100	1.430	0.46	0.65	B
1ME4030-101MF	100	±20%	1.150	1.495	0.45	0.60	B
1ME4030-121MF	120	±20%	1.350	1.755	0.42	0.55	B
1ME5012-1R0NF	1.0	±30%	0.057	0.074	2.40	4.40	C
1ME5012-1R5NF	1.5	±30%	0.072	0.094	2.25	3.70	C
1ME5012-2R2NF	2.2	±30%	0.090	0.117	2.00	3.10	C

Part Number	Inductance ¹		DCR ²			Drawing	
	μH	Tolerance	Typ.(Ω)	Max.(Ω)	Irms ³ (A)	Isat ⁴ (A)	Fig.
1ME5012-3R3NF	3.3	±30%	0.126	0.164	1.70	2.45	C
1ME5012-4R7NF	4.7	±30%	0.164	0.213	1.50	2.20	C
1ME5012-6R8MF	6.8	±20%	0.245	0.319	1.25	1.75	C
1ME5012-100MF	10	±20%	0.344	0.447	1.05	1.40	C
1ME5012-150MF	15	±20%	0.436	0.567	0.92	1.25	C
1ME5020-R47NF	0.47	±30%	0.013	0.017	4.60	6.15	C
1ME5020-R75NF	0.75	±30%	0.017	0.022	4.00	5.50	C
1ME5020-1R0NF	1.0	±30%	0.020	0.026	3.80	4.10	C
1ME5020-1R2NF	1.2	±30%	0.022	0.029	3.55	4.50	C
1ME5020-1R5NF	1.5	±30%	0.026	0.034	3.20	4.10	C
1ME5020-2R2NF	2.2	±30%	0.032	0.042	2.90	3.20	C
1ME5020-2R7NF	2.7	±30%	0.038	0.049	2.70	2.90	C
1ME5020-3R0NF	3.0	±30%	0.038	0.049	2.70	2.55	C
1ME5020-3R3NF	3.3	±30%	0.043	0.056	2.50	2.55	C
1ME5020-3R6NF	3.6	±30%	0.043	0.056	2.50	2.80	C
1ME5020-3R9NF	3.9	±30%	0.043	0.056	2.50	2.30	C
1ME5020-4R3MF	4.3	±20%	0.057	0.074	2.20	2.50	C
1ME5020-4R7MF	4.7	±20%	0.057	0.074	2.20	2.50	C
1ME5020-5R1MF	5.1	±20%	0.064	0.083	2.05	2.25	C
1ME5020-5R6MF	5.6	±20%	0.064	0.083	2.05	2.30	C
1ME5020-6R8MF	6.8	±20%	0.083	0.108	1.80	2.05	C
1ME5020-7R5MF	7.5	±20%	0.090	0.117	1.75	1.85	C
1ME5020-8R2MF	8.2	±20%	0.098	0.127	1.65	1.85	C
1ME5020-9R1MF	9.1	±20%	0.110	0.143	1.55	1.70	C
1ME5020-100MF	10	±20%	0.110	0.143	1.55	1.70	C
1ME5020-120MF	12	±20%	0.140	0.182	1.40	1.50	C
1ME5020-150MF	15	±20%	0.165	0.215	1.25	1.35	C
1ME5020-180MF	18	±20%	0.200	0.260	1.15	1.25	C
1ME5020-220MF	22	±20%	0.226	0.294	1.10	1.15	C
1ME5020-330MF	33	±20%	0.390	0.507	0.90	0.92	C
1ME5020-470MF	47	±20%	0.523	0.679	0.77	0.77	C
1ME5020-560MF	56	±20%	0.630	0.819	0.70	0.77	C
1ME5020-101MF	100	±20%	1.100	1.430	0.53	0.53	C
1ME5040-1R0NF	1.0	±30%	0.012	0.016	4.90	7.35	C
1ME5040-1R5NF	1.5	±30%	0.015	0.020	4.30	6.30	C
1ME5040-2R2NF	2.2	±30%	0.019	0.025	3.80	4.90	C
1ME5040-2R7NF	2.7	±30%	0.022	0.029	3.60	4.30	C
1ME5040-3R3NF	3.3	±30%	0.024	0.031	3.40	3.95	C
1ME5040-3R9NF	3.9	±30%	0.027	0.035	3.20	3.55	C
1ME5040-4R7NF	4.7	±30%	0.030	0.039	3.00	3.50	C
1ME5040-6R8MF	6.8	±20%	0.043	0.056	2.50	2.90	C
1ME5040-100MF	10	±20%	0.064	0.083	2.10	2.35	C
1ME5040-150MF	15	±20%	0.086	0.112	2.00	2.00	C
1ME5040-220MF	22	±20%	0.129	0.168	1.50	1.60	C
1ME5040-330MF	33	±20%	0.188	0.244	1.20	1.30	C
1ME5040-470MF	47	±20%	0.272	0.354	1.00	1.10	C
1ME5040-680MF	68	±20%	0.400	0.520	0.80	0.90	C
1ME5040-101MF	100	±20%	0.560	0.728	0.70	0.75	C
1ME6020-R50NF	0.50	±30%	0.014	0.018	3.30	4.50	B
1ME6020-R68NF	0.68	±30%	0.017	0.022	3.80	6.55	B
1ME6020-R82NF	0.82	±30%	0.017	0.022	3.80	5.30	B
1ME6020-1R0NF	1.0	±30%	0.020	0.026	3.50	4.15	B
1ME6020-1R2NF	1.2	±30%	0.022	0.029	3.20	5.90	B
1ME6020-1R5NF	1.5	±30%	0.022	0.029	3.20	4.25	B
1ME6020-1R8NF	1.8	±30%	0.028	0.036	2.75	4.85	B
1ME6020-2R0NF	2.0	±30%	0.035	0.046	2.60	4.10	B
1ME6020-2R2NF	2.2	±30%	0.028	0.036	3.75	3.75	B

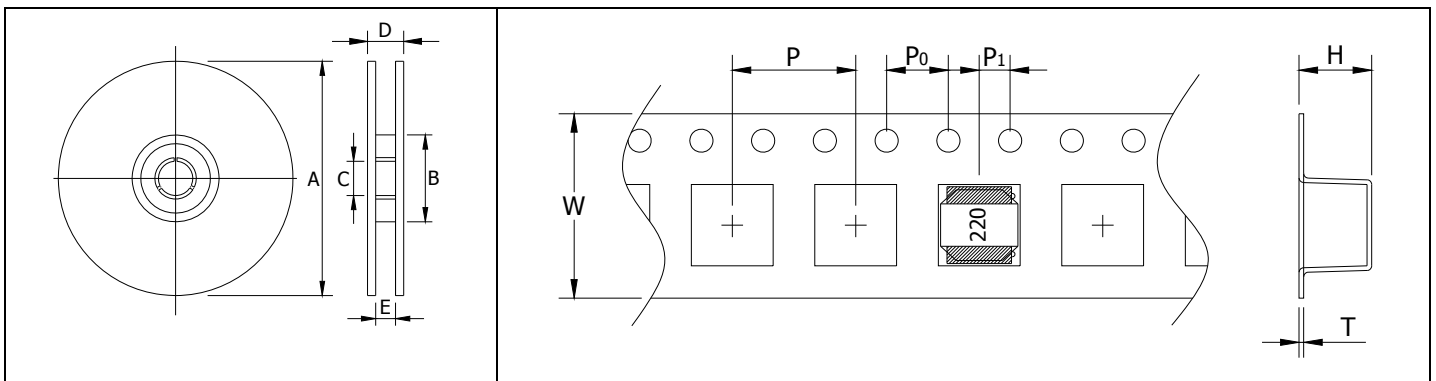
Part Number	Inductance ¹		DCR ²			Drawing	
	μH	Tolerance	Typ.(Ω)	Max.(Ω)	Irms ³ (A)	Isat ⁴ (A)	Fig.
1ME6020-2R7NF	2.7	±30%	0.035	0.046	2.60	3.90	B
1ME6020-3R3NF	3.3	±30%	0.035	0.046	2.60	3.15	B
1ME6020-3R9NF	3.9	±30%	0.049	0.064	2.10	3.25	B
1ME6020-4R3NF	4.3	±30%	0.049	0.064	2.10	2.70	B
1ME6020-4R7NF	4.7	±30%	0.058	0.075	2.00	3.00	B
1ME6020-5R6NF	5.6	±30%	0.058	0.075	1.90	2.40	B
1ME6020-6R2NF	6.2	±30%	0.079	0.103	1.80	2.30	B
1ME6020-6R8NF	6.8	±30%	0.079	0.103	1.80	2.20	B
1ME6020-8R2NF	8.2	±30%	0.105	0.137	1.40	2.10	B
1ME6020-100MF	10	±20%	0.105	0.137	1.40	1.75	B
1ME6020-120MF	12	±20%	0.120	0.156	1.30	1.45	B
1ME6020-150MF	15	±20%	0.145	0.189	1.20	1.20	B
1ME6020-180MF	18	±20%	0.180	0.234	1.08	1.20	B
1ME6020-220MF	22	±20%	0.204	0.265	1.00	1.05	B
1ME6028-1R0NF	1.0	±30%	0.010	0.013	5.20	5.75	B
1ME6028-1R5NF	1.5	±30%	0.013	0.017	4.58	6.00	B
1ME6028-2R2NF	2.2	±30%	0.020	0.026	3.75	5.10	B
1ME6028-2R7NF	2.7	±30%	0.020	0.026	3.75	3.80	B
1ME6028-3R3NF	3.3	±30%	0.025	0.033	3.48	4.15	B
1ME6028-4R7NF	4.7	±30%	0.030	0.039	3.08	3.00	B
1ME6028-5R1NF	5.1	±30%	0.043	0.056	2.60	3.20	B
1ME6028-6R2MF	6.2	±20%	0.047	0.061	2.40	3.05	B
1ME6028-6R8MF	6.8	±20%	0.047	0.061	2.40	2.60	B
1ME6028-8R2MF	8.2	±20%	0.055	0.072	2.25	2.30	B
1ME6028-9R1MF	9.1	±20%	0.074	0.096	2.15	2.55	B
1ME6028-100MF	10	±20%	0.072	0.094	1.95	2.04	B
1ME6028-120MF	12	±20%	0.080	0.104	1.85	1.80	B
1ME6028-150MF	15	±20%	0.125	0.163	1.45	1.75	B
1ME6028-180MF	18	±20%	0.120	0.156	1.45	1.52	B
1ME6028-220MF	22	±20%	0.140	0.182	1.40	1.45	B
1ME6028-270MF	27	±20%	0.155	0.202	1.32	1.50	B
1ME6028-330MF	33	±20%	0.185	0.241	1.22	1.35	B
1ME6028-360MF	36	±20%	0.215	0.280	1.13	1.25	B
1ME6028-390MF	39	±20%	0.225	0.293	1.10	1.25	B
1ME6028-470MF	47	±20%	0.315	0.410	1.06	1.15	B
1ME6028-680MF	68	±20%	0.360	0.468	0.86	0.90	B
1ME6028-750MF	75	±20%	0.410	0.533	0.81	0.90	B
1ME6028-820MF	82	±20%	0.500	0.650	0.70	0.80	B
1ME6028-101MF	100	±20%	0.500	0.650	0.70	0.65	B
1ME6045-R82NF	0.82	±30%	0.008	0.010	5.90	10.40	B
1ME6045-1R0NF	1.00	±30%	0.011	0.014	5.14	9.85	B
1ME6045-1R2NF	1.20	±30%	0.010	0.013	5.40	8.35	B
1ME6045-1R5NF	1.50	±30%	0.012	0.016	4.95	8.80	B
1ME6045-1R8NF	1.80	±30%	0.012	0.016	4.95	7.60	B
1ME6045-2R2NF	2.20	±30%	0.014	0.018	4.60	6.75	B
1ME6045-2R3NF	2.30	±30%	0.021	0.027	3.50	6.00	B
1ME6045-2R7NF	2.70	±30%	0.015	0.020	4.30	5.75	B
1ME6045-3R0NF	3.00	±30%	0.020	0.026	3.80	5.60	B
1ME6045-3R3NF	3.30	±30%	0.021	0.027	3.70	5.90	B
1ME6045-3R6NF	3.60	±30%	0.021	0.027	3.70	5.25	B
1ME6045-4R3MF	4.30	±20%	0.023	0.030	3.50	4.45	B
1ME6045-4R7MF	4.70	±20%	0.026	0.034	3.30	4.97	B
1ME6045-5R1MF	5.10	±20%	0.026	0.034	3.30	4.40	B
1ME6045-5R6MF	5.60	±20%	0.029	0.038	3.15	4.15	B
1ME6045-6R2MF	6.20	±20%	0.031	0.040	3.00	4.43	B
1ME6045-6R8MF	6.80	±20%	0.031	0.040	3.00	3.90	B
1ME6045-7R5MF	7.50	±20%	0.034	0.044	2.90	3.50	B

Part Number	Inductance ¹		DCR ²			Drawing	
	μH	Tolerance	Typ.(Ω)	Max.(Ω)	Irms ³ (A)	Isat ⁴ (A)	Fig.
1ME6045-8R2MF	8.20	±20%	0.043	0.056	2.60	3.90	B
1ME6045-9R1MF	9.10	±20%	0.043	0.056	2.60	3.35	B
1ME6045-100MF	10.0	±20%	0.048	0.062	2.45	3.20	B
1ME6045-120MF	12.0	±20%	0.058	0.075	2.20	2.80	B
1ME6045-150MF	15.0	±20%	0.068	0.088	2.05	2.50	B
1ME6045-180MF	18.0	±20%	0.081	0.105	1.85	2.20	B
1ME6045-220MF	22.0	±20%	0.089	0.116	1.80	2.05	B
1ME6045-270MF	27.0	±20%	0.102	0.133	1.65	1.90	B
1ME6045-300MF	30.0	±20%	0.132	0.172	1.50	1.70	B
1ME6045-330MF	33.0	±20%	0.137	0.178	1.45	1.65	B
1ME6045-360MF	36.0	±20%	0.173	0.225	1.40	1.62	B
1ME6045-390MF	39.0	±20%	0.180	0.234	1.25	1.50	B
1ME6045-430MF	43.0	±20%	0.200	0.260	1.20	1.63	B
1ME6045-470MF	47.0	±20%	0.200	0.260	1.20	1.40	B
1ME6045-510MF	51.0	±20%	0.207	0.269	1.15	1.35	B
1ME6045-560MF	56.0	±20%	0.221	0.287	1.10	1.30	B
1ME6045-620MF	62.0	±20%	0.235	0.306	1.10	1.25	B
1ME6045-680MF	68.0	±20%	0.289	0.376	1.00	1.20	B
1ME6045-750MF	75.0	±20%	0.305	0.397	0.95	1.15	B
1ME6045-820MF	82.0	±20%	0.341	0.443	0.90	1.05	B
1ME6045-910MF	91.0	±20%	0.359	0.467	0.85	1.00	B
1ME6045-101MF	100.0	±20%	0.433	0.563	0.80	0.95	B
1ME6045-121MF	120.0	±20%	0.484	0.629	0.77	0.85	B
1ME6045-151MF	150.0	±20%	0.580	0.754	0.70	0.80	B
1ME6045-221MF	220.0	±20%	0.834	1.084	0.59	0.70	B
1ME6045-331MF	330.0	±20%	1.270	1.651	0.57	0.57	B
1ME8040-R82NF	0.82	±30%	0.008	0.010	6.30	13.80	B
1ME8040-1R0NF	1.00	±30%	0.008	0.010	6.30	9.85	B
1ME8040-1R5NF	1.50	±30%	0.010	0.013	5.65	8.15	B
1ME8040-2R0NF	2.00	±30%	0.012	0.016	5.15	9.25	B
1ME8040-2R2NF	2.20	±30%	0.012	0.016	5.15	7.10	B
1ME8040-3R0NF	3.00	±30%	0.014	0.018	4.70	6.10	B
1ME8040-3R3NF	3.30	±30%	0.017	0.022	4.40	6.50	B
1ME8040-3R6NF	3.60	±30%	0.017	0.022	4.35	7.52	B
1ME8040-3R9NF	3.90	±30%	0.017	0.022	4.35	5.75	B
1ME8040-4R7NF	4.70	±30%	0.019	0.025	4.10	5.90	B
1ME8040-5R1NF	5.10	±30%	0.019	0.025	4.05	4.70	B
1ME8040-5R6NF	5.60	±30%	0.021	0.027	3.85	6.00	B
1ME8040-6R2NF	6.20	±30%	0.021	0.027	3.85	4.45	B
1ME8040-6R8MF	6.80	±20%	0.024	0.031	3.60	4.55	B
1ME8040-8R2MF	8.20	±20%	0.026	0.034	3.45	4.20	B
1ME8040-100MF	10.0	±20%	0.029	0.038	3.30	3.60	B
1ME8040-150MF	15.0	±20%	0.047	0.061	2.60	2.95	B
1ME8040-180MF	18.0	±20%	0.053	0.069	2.40	2.70	B
1ME8040-220MF	22.0	±20%	0.069	0.090	2.10	2.40	B
1ME8040-270MF	27.0	±20%	0.078	0.101	2.00	2.15	B
1ME8040-330MF	33.0	±20%	0.097	0.126	1.80	2.05	B
1ME8040-360MF	36.0	±20%	0.102	0.133	1.75	2.00	B
1ME8040-390MF	39.0	±20%	0.107	0.139	1.70	1.95	B
1ME8040-430MF	43.0	±20%	0.113	0.147	1.65	1.90	B
1ME8040-470MF	47.0	±20%	0.136	0.177	1.55	1.75	B
1ME8040-510MF	51.0	±20%	0.142	0.185	1.50	1.70	B
1ME8040-560MF	56.0	±20%	0.148	0.192	1.45	1.55	B
1ME8040-620MF	62.0	±20%	0.182	0.237	1.30	1.50	B
1ME8040-680MF	68.0	±20%	0.196	0.255	1.25	1.45	B
1ME8040-750MF	75.0	±20%	0.211	0.274	1.20	1.35	B
1ME8040-820MF	82.0	±20%	0.225	0.293	1.15	1.30	B

Part Number	Inductance ¹		DCR ²			Drawing	
	μH	Tolerance	Typ.(Ω)	Max.(Ω)	Irms ³ (A)	Isat ⁴ (A)	Fig.
1ME8040-910MF	91.0	$\pm 20\%$	0.272	0.354	1.05	1.20	B
1ME8040-101MF	100.0	$\pm 20\%$	0.290	0.377	1.00	1.15	B
1ME8040-121MF	120.0	$\pm 20\%$	0.334	0.434	0.95	1.05	B
1ME8040-151MF	150.0	$\pm 20\%$	0.410	0.533	0.85	1.10	B
1ME8040-221MF	220.0	$\pm 20\%$	0.599	0.779	0.80	0.85	B
1ME8040-331MF	330.0	$\pm 20\%$	0.889	1.156	0.64	0.68	B

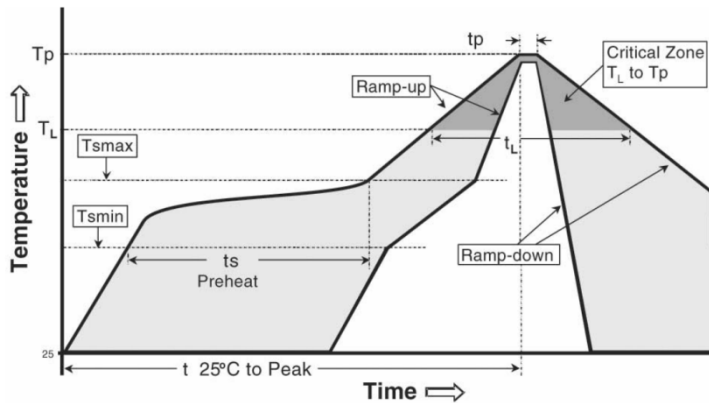
1. Inductance measured @ 100KHz, 0.3V at 25°C temperature.
2. DCR measured @ 25°C.
3. Irms for an approximate 40°C rise from 20°C ambient temperature.
4. Isat for approximate 30% roll off at 25°C.
5. Specifications subject to change without notice please check our website for latest information.

E TAPE AND REEL SPECIFICATIONS



Case Size	Parts per Reel	Reel Dimensions(REF)					Tape Dimensions(REF)					
		A	B	C	D	E	W	P	P ₀	P ₁	H	T
1ME252010	2000	178	58	13	13	9.0	8	4	4	2	1.2	0.3
1ME252012	2000	178	58	13	13	9.0	8	4	4	2	1.4	0.3
1ME3010	2000	178	58	13	13	9.0	8	4	4	2	1.4	0.3
1ME3012	2000	178	58	13	13	9.0	8	4	4	2	1.6	0.3
1ME3015	2000	178	58	13	13	9.0	8	4	4	2	1.9	0.3
1ME4010	4500	330	100	13	19	12.4	12	8	4	2	1.6	0.3
1ME4012	4500	330	100	13	19	12.4	12	8	4	2	1.6	0.3
1ME4018	3000	330	100	13	19	12.4	12	8	4	2	2.4	0.3
1ME4020	3000	330	100	13	19	12.4	12	8	4	2	2.4	0.3
1ME4026	2000	330	100	13	19	12.4	12	8	4	2	3.4	0.3
1ME4030	2000	330	100	13	19	12.4	12	8	4	2	3.4	0.3
1ME5012	4000	330	100	13	19	12.4	12	8	4	2	1.6	0.3
1ME5020	2500	330	100	13	19	12.4	12	8	4	2	3.0	0.3
1ME5040	1500	330	100	13	19	12.4	12	8	4	2	4.4	0.3
1ME6020	2500	330	100	13	22	16.4	16	8	4	2	2.5	0.4
1ME6028	2000	330	100	13	22	16.4	16	8	4	2	3.3	0.4
1ME6045	1500	330	100	13	22	16.4	16	8	4	2	4.7	0.4
1ME8040	1000	330	100	13	22	16.4	16	12	4	2	4.4	0.4

F RECOMMENDED SOLDER REFLOW PROFILE



Profile Feature	Recommended Conditions
Average ramp-up rate (Tsmax to Tp)	3°C/second max.
Preheat	
Temperature Min (Tsmmin)	100°C
Temperature Max (Tsmmax)	150°C
Time (Tsmmin to Tsmmax)(ts)	60-180 seconds
Time maintained above:	
Temperature (T _L)	217°C
Time (t _L)	60-150 seconds
Peak Temperature (Tp)	See Table2
Time within 5°C of actual Peak Temperature (tp) ²	20-40 seconds
Ramp-down Rate	6°C/second max.
Time 25°C to Peak Temperature	8 minutes max

Table 1

Package Thickness	Volume mm ³ <350	Volume mm ³ 350 - 2000	Volume mm ³ >2000
< 1.6mm	260°C	260°C	260°C
1.6mm - 2.5mm	260°C	250°C	245°C
>2.5mm	250°C	245°C	245°C

Table 2

1. The above profiles are based on IPC/JEDEC J-STD-020C.
2. Exceeding these conditions may cause lowered product reliability.