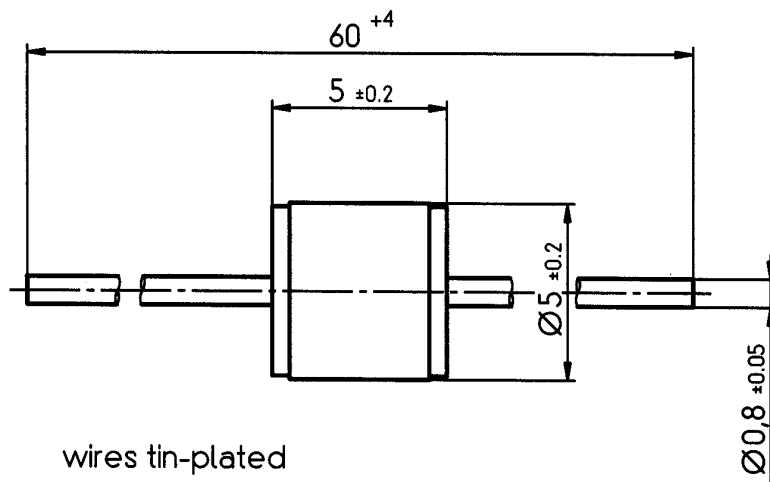


|  |  |            |
|--|--|------------|
| DC spark-over voltage <sup>1)2)</sup>                        | 230<br>± 15  | V<br>%     |
| Initial values   |  |            |
| Ignition time $t_i$ after 24 hours in darkness <sup>3)</sup> | 95   99.9   100  | %          |
| at -20 °C  | ≤ 4  | ≤ 5        |
| at +25; 125 °C   | ≤ 2  | ≤ 3        |
| Electrical life time   |  |            |
| Switching operations<br>at +25; 125 °C                       | 2 000 000  | Ignitions  |
| Maximum switching frequency                                  | 25   | Hz         |
| Test circuit parameters                                      |  |            |
| Open circuit voltage $V_0$                                   | 230  | $V_{ac}$   |
| Loading resistance R   | 15   | k $\Omega$ |
| Discharge capacitance C                                      | 2.2  | $\mu$ F    |
| Inductance L   | 32   | $\mu$ H    |
| Discharge peak current $I_p$                                 | ~ 100  | A          |
| Insulation resistance at 100 $V_{dc}$                        | > 0.1  | G $\Omega$ |
| Capacitance at 1 MHz   | < 2  | pF         |
| Weight   | ~ 1.5  | g          |
| Operation and storage temperature                            | -20 ... +125   | °C         |
| Climatic category (IEC 60068-1)                              | 20/ 125/ 21  |            |
| Marking, red   | <b>EPCOS CM 230 YYMM O</b><br>CM - Series<br>230 - Nominal voltage<br>YY - Year of production<br>MM - Month of production<br>O - Non radioactive |            |

<sup>1)</sup> At delivery AQL 0.65 level II, DIN ISO 2859

<sup>2)</sup> In ionized mode, after load

<sup>3)</sup> Time from capacitor charged to the first high voltage spark  
 Test circuit:  $V_{ac} = 198$  V;  $R = 36$  k $\Omega$ ;  $C = 2.2$   $\mu$ F



wires tin-plated

*Not to scale*

*Dimensions in mm*

*Non controlled document*

© EPCOS AG 2002. Reproduction, publication and dissemination of this data sheet, enclosures hereto and the information contained therein without EPCOS' prior express consent is prohibited.

Purchase orders are subject to the General Conditions for the Supply of Products and Services of the Electrical and Electronics Industry recommended by the ZVEI (German Electrical and Electronic Manufacturers' Association), unless otherwise agreed.