

### Fail-safe biasing for ST485EB

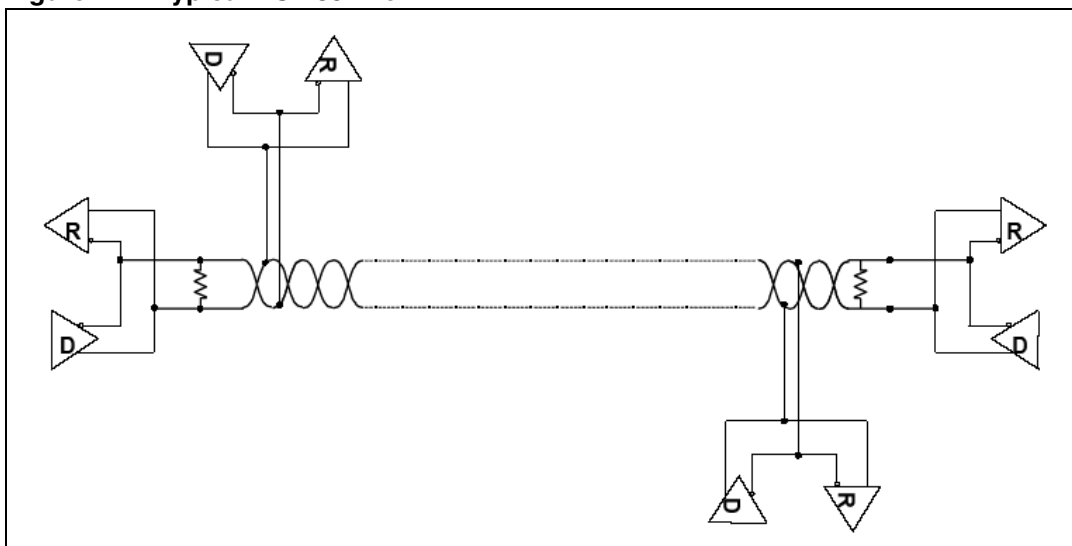
#### Introduction

ST485EB is an RS-485 based interface designed for multipoint differential transmission on a single twisted pair cable. It allows half duplex bi-directional transmission, long cable lengths and high data rates.

Typical applications include LANs, industrial (PLC devices), automotive and computer interfaces.

System evolution in the data communication field has lead to the development of faster devices with lower data bit error rates. The ST485EB meets all these requirements. [Figure 1](#) shows a typical multipoint bus configuration.

**Figure 1. Typical RS-485 line**



---

# Contents

1	<b>Overview</b> .....	4
2	<b>Bus states</b> .....	4
3	<b>Data transmission protocol</b> .....	5
4	<b>Internal fail-safe and bus termination</b> .....	6
5	<b>DC terminated fail-safe resistor value calculations</b> .....	7
5.1	Example calculation .....	7
6	<b>AC terminated fail-safe resistor</b> .....	9
7	<b>Fail-safe in multipoint transmission buses</b> .....	10
8	<b>Fail-safe circuit comparisons with ST485EB</b> .....	11
9	<b>Conclusion</b> .....	14
10	<b>Revision history</b> .....	14

## List of figures

Figure 1.	Typical RS-485 line. . . . .	1
Figure 2.	Differential plot for driver outputs . . . . .	4
Figure 3.	Asynchronous UART sequence format . . . . .	5
Figure 4.	Terminated line (on both sides) . . . . .	6
Figure 5.	Open terminated line (end side only) . . . . .	6
Figure 6.	Unterminated or open line . . . . .	6
Figure 7.	External fail-safe and line DC termination resistors . . . . .	7
Figure 8.	AC termination with external fail-safe . . . . .	9
Figure 9.	Multipoint transmission line with ST485EB. . . . .	10
Figure 10.	Equivalent test circuit for a fully loaded network. . . . .	11
Figure 11.	DC fail-safe characteristics. . . . .	12
Figure 12.	Fail-safe DC termination - eye pattern and test circuit . . . . .	13
Figure 13.	Fail-safe AC termination - eye pattern and test circuit . . . . .	13

# 1 Overview

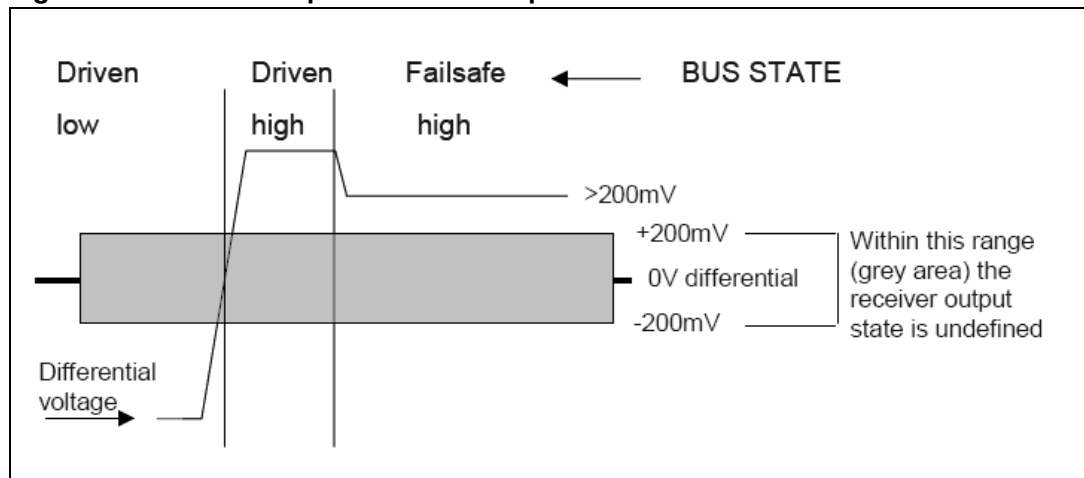
In a point-to-point configuration (such as the RS-422 standard) the driver is normally always enabled.

The bus can remain only in the HIGH or LOW state (the bus is always biased). In a multipoint application, when more than one driver is physically connected to the bus and only one driver at a time is enabled during data transmission, all the drivers can be disabled when there is no data to send. In this case there is no bus biasing (undefined state). Fail-safe biasing solves this problem providing the bus with a proper known state. This application note describes the topic of fail-safe biasing.

# 2 Bus states

When a bus is driven by an active driver, it can be in one of two states, either high or low. It can also be kept in one of these states by external pull-up resistors that provide the necessary voltage to get a known bus state. The undefined state in RS-485 standard buses occurs every time the differential voltage is less than +/-200 mV. In *Figure 2* the bus is driven from low to high and is then disabled. The bus, however, remains high due to external fail-safe biasing.

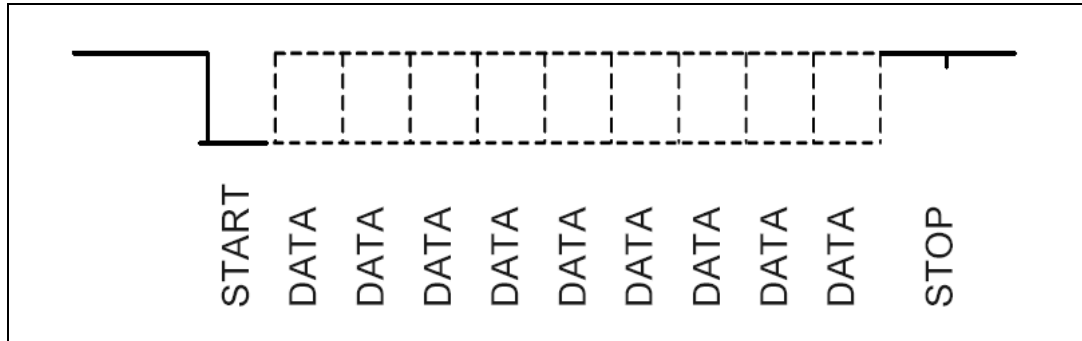
**Figure 2. Differential plot for driver outputs**



### 3 Data transmission protocol

One of the most well known formats for low speed data transmission is the UART timing format. It is an asynchronous protocol, typically composed of 12 bits. The timing sequence starts with a transition from high to low. Next there are 9 data bits (8 data bits plus a parity bit). Finally, the line remains high for one or two bits, which represents the end of the character.

**Figure 3. Asynchronous UART sequence format**



In a multipoint application, when no more data has to be sent, the line should remain high until the next start bit. Since the active driver is disabled, and all other drivers are off, this is not easy to achieve.

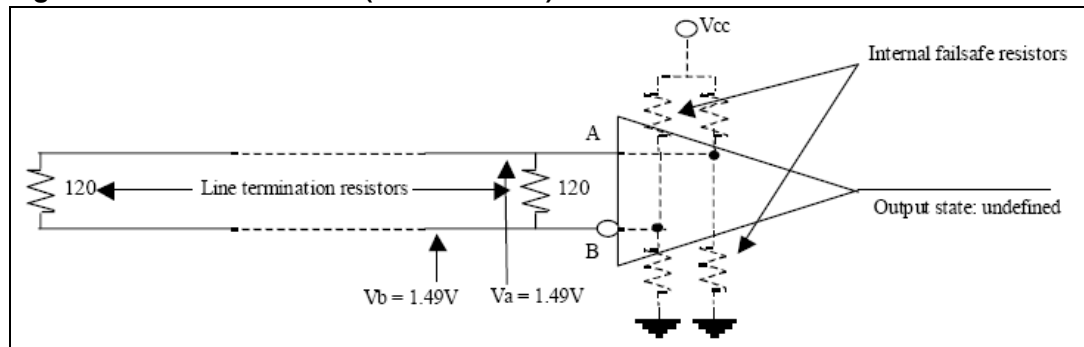
One way to solve this problem is the use of an alternate protocol (software solution). The other way is to use fail-safe biasing (hardware solution).

## 4 Internal fail-safe and bus termination

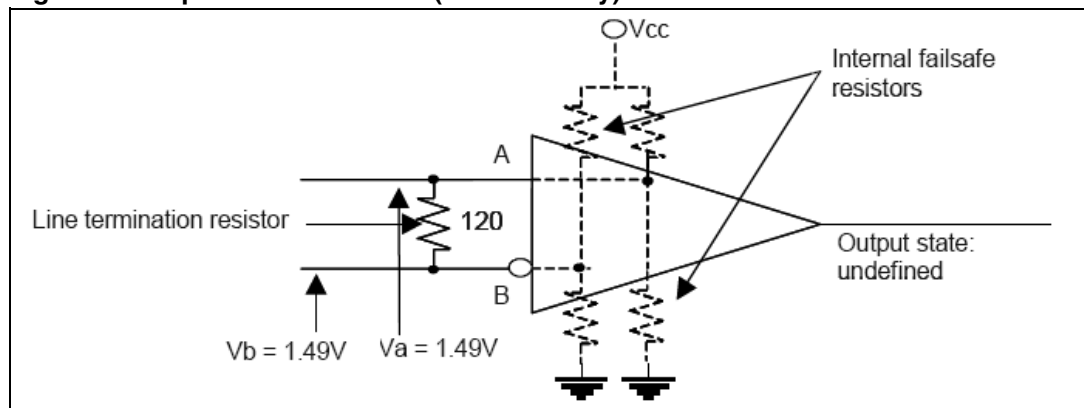
Transceiver manufacturers avoid external biasing resistors by providing internal pull-up resistors at the receiver inputs, which is effective for detecting open circuits or for those applications where termination resistors are not needed. The line termination resistors (typically 54~120 Ω for a twisted pair cable) load the line avoiding the need for internal pull-up resistors to define the receiver output. *Figure 4*, *Figure 5*, and *Figure 6* show differential voltage levels for different line conditions for the ST485EB receiver interface.

*Note:* There is no driver leading the line.

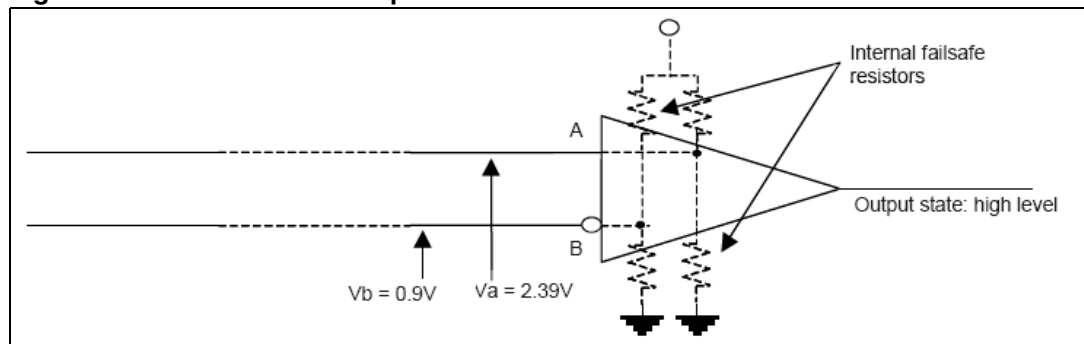
**Figure 4. Terminated line (on both sides)**



**Figure 5. Open terminated line (end side only)**



**Figure 6. Unterminated or open line**

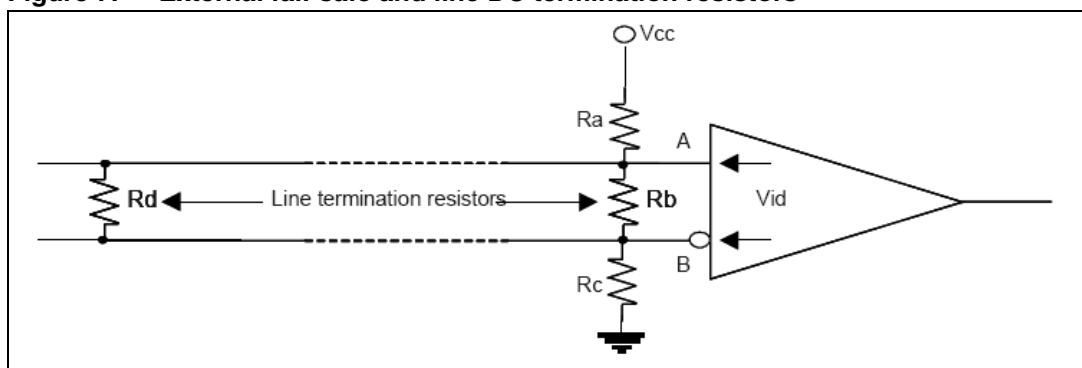


## 5 DC terminated fail-safe resistor value calculations

The external resistors are selected so that they provide at least a 200 mV bias across the line, without excessively loading the active driver. In addition, some other conditions should be met:

- The pull-up ( $R_a$ ) and pull-down ( $R_c$ ) resistors should be of equal value in order to load the driver outputs symmetrically.
- Termination resistor ( $R_d$ ) should match the characteristic impedance ( $Z_0$ ) of the line cable, in order to avoid signal reflections.
- At the other end of the cable, the equivalent resistance of  $R_a$ ,  $R_b$ , and  $R_c$  should also match the characteristic impedance of the line. In the following [Figure 7](#), the equivalent resistance is  $R_b \parallel (R_a + R_c)$ , which means  $R_b$  must be greater than  $Z_0$  and  $R_d$ .

**Figure 7. External fail-safe and line DC termination resistors**



The fail-safe bias  $V_{id}$  is the voltage drop across the line. Therefore, the fail-safe bias is simply a voltage divider between  $R_b \parallel R_d$ ,  $R_a$  and  $R_c$ . Note that this formula neglects cable resistance, and that  $R_b$  is parallel to  $R_d$  ( $R_b \parallel R_d$ ).

The choice of resistors must take into account other factors such as power supply voltage tolerance and resistor tolerance, so that under worst case conditions,  $V_{id}$  is greater than 200 mV.

### 5.1 Example calculation

For this example, based on [Figure 7](#), we assume that the cable has a characteristic impedance  $Z_0 = 120 \Omega$  and that the power supply voltage  $V_{cc}$  is 5 V. We also assume that  $R_b$  and  $R_d$  are equal and their value matches  $Z_0$  ( $R_b = R_d = Z_0 = 120 \Omega$ ).

- Calculate the equivalent resistance of  $R_b \parallel R_d$ .  $R_t = 120 \parallel 120 = 60 \Omega$
- Calculate  $R_a$  and  $R_c$  for a  $V_{id} = 200$  mV.
  - $V_{id} = V_{cc} (R_t / (R_t + R_a + R_c))$ . Solving for  $R_a + R_c$
  - $R_a + R_c = ((V_{cc})R_t / V_{id}) - R_t$ .  $R_a + R_c = ((5 \text{ V})60 \Omega / 0.2 \text{ V}) - 60 \Omega = 1440 \Omega$
  - $R_a = R_c = 720 \Omega$
- Recalculate the equivalent termination resistance at the end of the cable.  $R_{eq} = R_b \parallel (R_a + R_c)$ .  $R_b = 120 \parallel (720 + 720) = 110 \Omega$  This value is close (<10%) to the characteristic impedance  $Z_0$ . However  $R_{eq}$  could be matched to  $Z_0$  by setting the following equation:

**Equation 1**

$$Z_o = R_b || (R_a + R_c)$$

Then

**Equation 2**

$$R_b = 131 \Omega$$

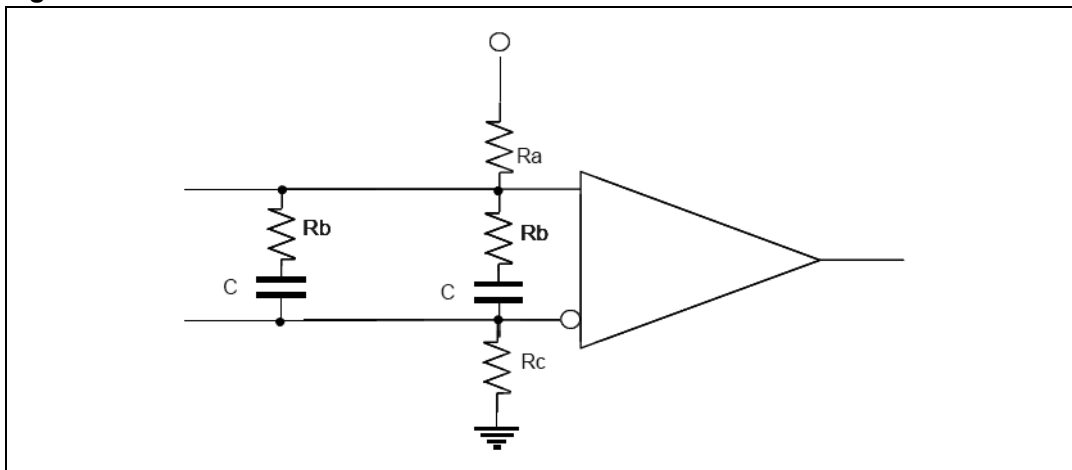
- The calculated values for  $R_a$  and  $R_c$  could be slightly decreased to provide a  $V_{id} > 200$  mV, and to meet the worst case power supply and resistor tolerance conditions. Then  $R_a$  and  $R_c$  could be  $500 \Omega$ . However the value of  $R_a$  and  $R_c$  should not be reduced too low in order to minimize the driver loading when the driver is active. An active driver is required to create a minimum of 1.5 V across the cable termination. The use of low resistance pull resistors makes this voltage more difficult to meet.



## 6 AC terminated fail-safe resistor

The DC termination (with and without fail-safe biasing) increases power consumption due to the current flow through the termination resistors. In order to reduce the current absorption, the fail-safe network could be modified as shown in *Figure 8*.

**Figure 8. AC termination with external fail-safe**



The RC termination blocks DC current. The value of Ra and Rc can be increased, but not so much that noise immunity is made worse.

Although Rb always equals the cable's characteristic impedance ( $Z_0$ ), the choice of C requires some judgement. Large C values provide good terminations by allowing any signal to see an Rb that matches  $Z_0$ , but large values also increase the driver's peak output current and the time constant RC, therefore decreasing signal quality.

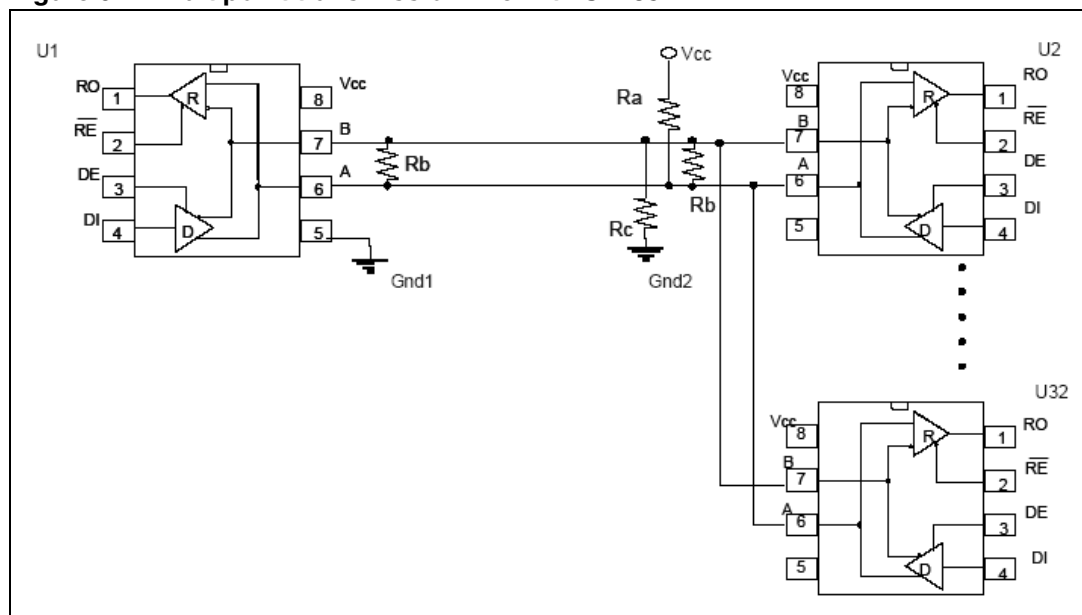
## 7 Fail-safe in multipoint transmission buses

As discussed in the example of the calculation for fail-safe resistors, when calculating their values, the following conditions must be satisfied:

- The driver must be able to develop a differential output voltage  $V_{od} \geq 1.5 \text{ V}$

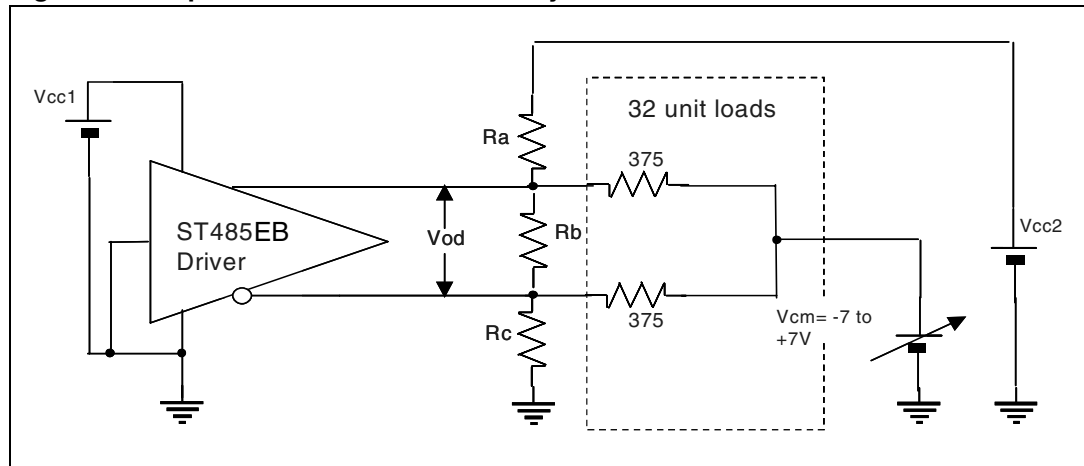
The excessively low resistance of the pull resistors could affect the driver differential output voltage. In a multipoint application, where up to 32 transceivers could be connected in parallel to the transmission line (*Figure 9*), the differential output voltage drops, due to the equivalent input impedance of all the receivers connected. A minimum input impedance of 12 kΩ for each receiver is required, so in the worst case of a fully loaded network (32 unit loads) the equivalent resistance seen by the active driver is  $(12 \text{ k}\Omega / 32) = 375 \Omega$

**Figure 9. Multipoint transmission line with ST485EB**



This value should be reduced in order to take into account that there are 31 drivers in a high impedance state, each with a leakage current. However in the ST485EB device this current is less than 10 μA, so its effect can be neglected. With regard to the ground shift, the previous schematic can be modelled as shown in *Figure 10*, in order to verify the driver output voltage capability.

Figure 10. Equivalent test circuit for a fully loaded network



This test was performed on the ST485EB driver. The resistor values were:

- $R_a = R_c = 500 \Omega$
- $R_b = 60 \Omega$

With the common mode voltage  $V_{cm}$  varied from  $-7$  to  $+7$  V, the device meets the  $1.5$  V minimum differential voltage ( $V_{od}$ ).

## 8 Fail-safe circuit comparisons with ST485EB

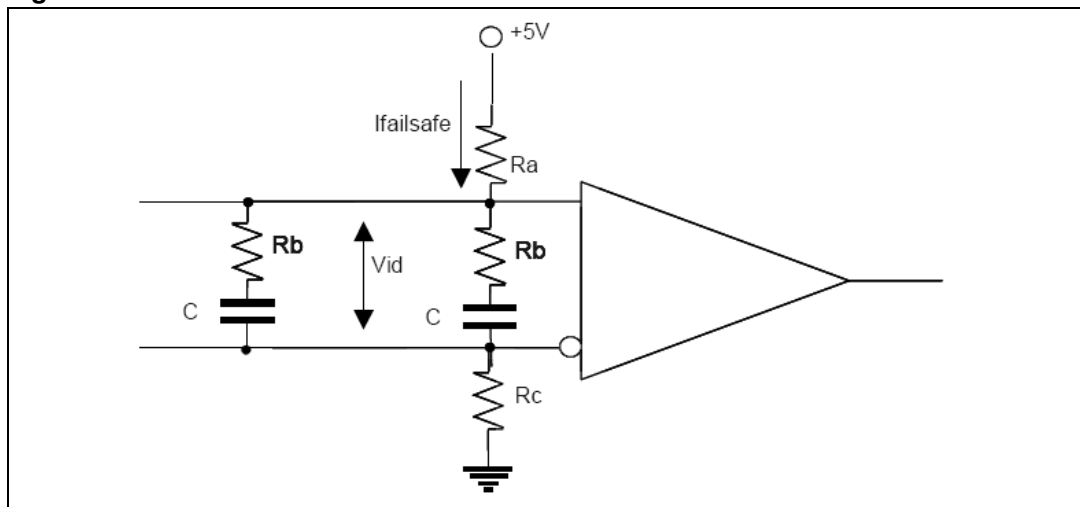
The following measurements were performed with two ST485EB devices connected in point-to-point configuration across a twisted pair cable of  $1$  m length. [Table 1](#) summarizes the DC characteristics with different termination circuits.

Table 1. DC fail-safe characteristics

Schematic	$R_a=R_c$ ( $\Omega$ )	$R_b$ ( $\Omega$ )	$C$ (nF)	$V_{id}$ (mV)	Fail-safe current (mA)	Receiver output state
No termination	-	-	-	1430	-	Fixed high (internal fail-safe)
DC termination	-	120	-	1.45	-	Undefined
Fail-safe DC termination	500	120	-	280	4.72	Fixed high
Fail-safe AC termination	22 k $\Omega$	120	100	4040	0.0316	Fixed high

Note:  $V_{cc}=5$  V

Figure 11. DC fail-safe characteristics



Another test was performed to verify the behavior of the different termination circuits when an AC signal is present on the line. [Figure 12](#) and [Figure 13](#) show the eye patterns of the signals driven respectively at the end of a 100 m cable and on the receiver output. The driver was led by means of a PRBS (pseudorandom bit signalling) generator with 5 Mbit/s data rate.

Figure 12. Fail-safe DC termination - eye pattern and test circuit

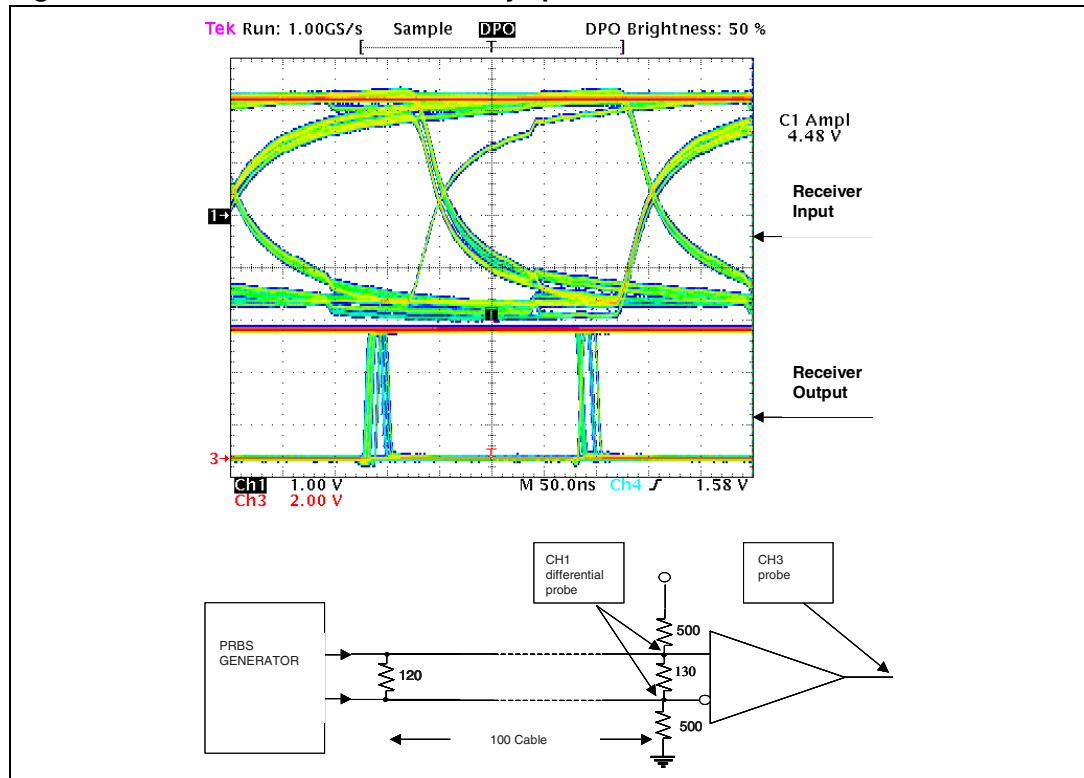
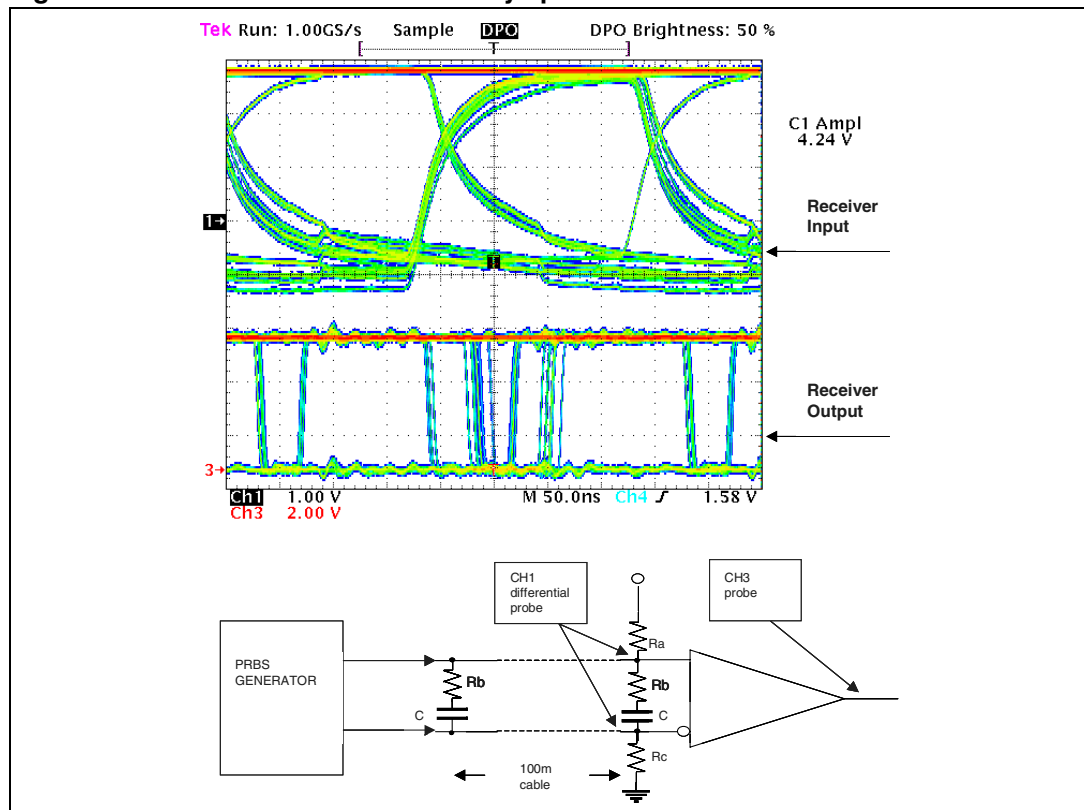


Figure 13. Fail-safe AC termination - eye pattern and test circuit



*Figure 12* and *Figure 13* show how the choice of termination could influence the signal quality at the end of the transmission line. In particular, the AC termination seems to be worse than the DC one, when the cable length increases (the output presents jitter and inter-symbolic interferences).

## 9 Conclusion

External fail-safe bias resistors can be used to solve the idle line state problem that commonly occurs in multipoint applications using asynchronous protocols. This hardware approach is well accepted. In fact many complete interface standards such as SCSI-1 and 2 (Small Computer System Interface) and IPI (Intelligent peripheral Interface) have adopted this method. This application note provides guidance to select proper fail-safe schematic and external component values that will provide an adequate bias, while minimizing the loading effect on the line driver.

## 10 Revision history

**Table 2. Document revision history**

Date	Revision	Changes
21-Jun-2004	1	First release
02-Oct-2007	2	– No content changes, document reformatted. – ST485 replaced by ST485EB

**Please Read Carefully:**

Information in this document is provided solely in connection with ST products. STMicroelectronics NV and its subsidiaries ("ST") reserve the right to make changes, corrections, modifications or improvements, to this document, and the products and services described herein at any time, without notice.

All ST products are sold pursuant to ST's terms and conditions of sale.

Purchasers are solely responsible for the choice, selection and use of the ST products and services described herein, and ST assumes no liability whatsoever relating to the choice, selection or use of the ST products and services described herein.

No license, express or implied, by estoppel or otherwise, to any intellectual property rights is granted under this document. If any part of this document refers to any third party products or services it shall not be deemed a license grant by ST for the use of such third party products or services, or any intellectual property contained therein or considered as a warranty covering the use in any manner whatsoever of such third party products or services or any intellectual property contained therein.

**UNLESS OTHERWISE SET FORTH IN ST'S TERMS AND CONDITIONS OF SALE ST DISCLAIMS ANY EXPRESS OR IMPLIED WARRANTY WITH RESPECT TO THE USE AND/OR SALE OF ST PRODUCTS INCLUDING WITHOUT LIMITATION IMPLIED WARRANTIES OF MERCHANTABILITY, FITNESS FOR A PARTICULAR PURPOSE (AND THEIR EQUIVALENTS UNDER THE LAWS OF ANY JURISDICTION), OR INFRINGEMENT OF ANY PATENT, COPYRIGHT OR OTHER INTELLECTUAL PROPERTY RIGHT.**

**UNLESS EXPRESSLY APPROVED IN WRITING BY AN AUTHORIZED ST REPRESENTATIVE, ST PRODUCTS ARE NOT RECOMMENDED, AUTHORIZED OR WARRANTED FOR USE IN MILITARY, AIR CRAFT, SPACE, LIFE SAVING, OR LIFE SUSTAINING APPLICATIONS, NOR IN PRODUCTS OR SYSTEMS WHERE FAILURE OR MALFUNCTION MAY RESULT IN PERSONAL INJURY, DEATH, OR SEVERE PROPERTY OR ENVIRONMENTAL DAMAGE. ST PRODUCTS WHICH ARE NOT SPECIFIED AS "AUTOMOTIVE GRADE" MAY ONLY BE USED IN AUTOMOTIVE APPLICATIONS AT USER'S OWN RISK.**

Resale of ST products with provisions different from the statements and/or technical features set forth in this document shall immediately void any warranty granted by ST for the ST product or service described herein and shall not create or extend in any manner whatsoever, any liability of ST.

ST and the ST logo are trademarks or registered trademarks of ST in various countries.

Information in this document supersedes and replaces all information previously supplied.

The ST logo is a registered trademark of STMicroelectronics. All other names are the property of their respective owners.

© 2007 STMicroelectronics - All rights reserved

STMicroelectronics group of companies

Australia - Belgium - Brazil - Canada - China - Czech Republic - Finland - France - Germany - Hong Kong - India - Israel - Italy - Japan - Malaysia - Malta - Morocco - Singapore - Spain - Sweden - Switzerland - United Kingdom - United States of America

[www.st.com](http://www.st.com)

