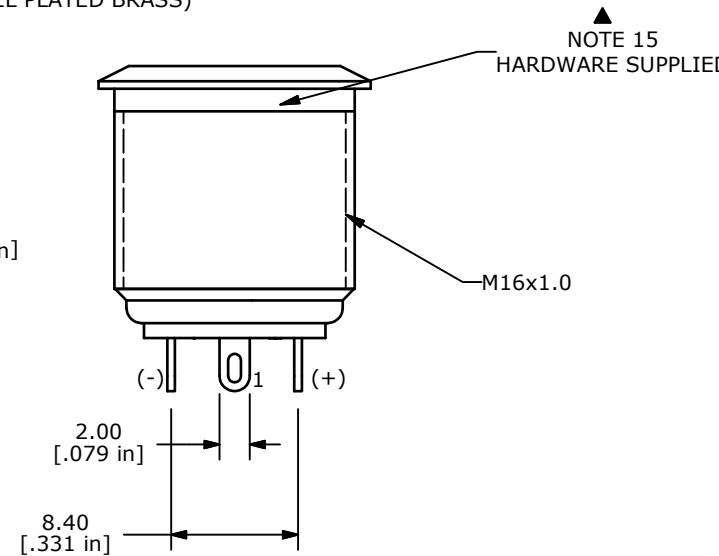
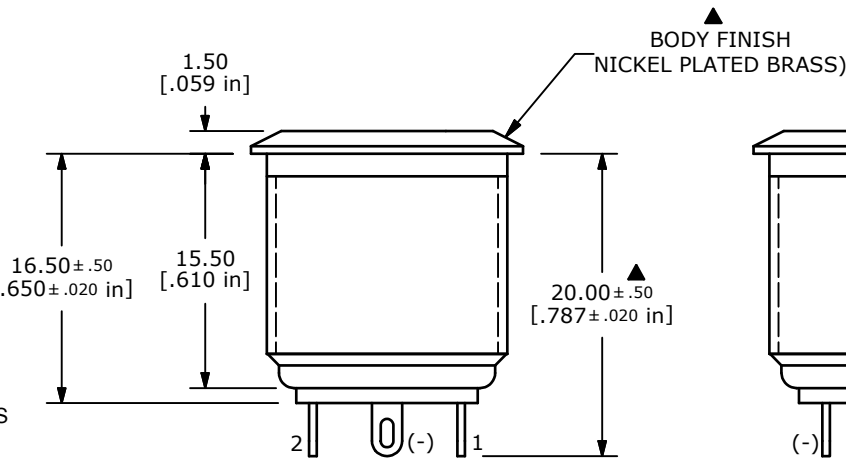
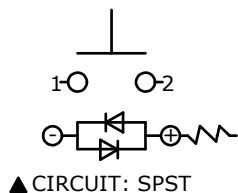
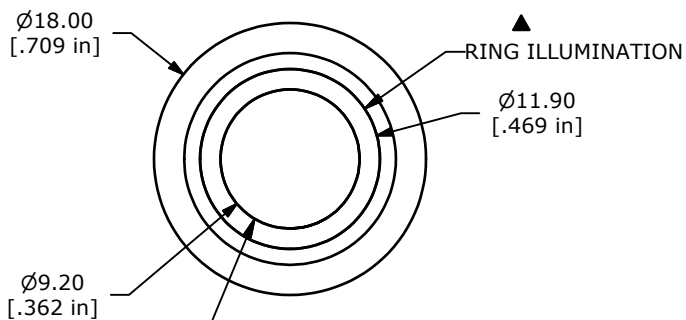


SWITCH FUNCTION	
POS. 1	POS. 2
OFF	(ON)
OPEN	1-2

(ON) = MOMENTARY



- NOTE:
- ALL DIMENSIONS IN MM [INCH]
 - GENERAL TOLERANCE: X.X=±0.4 X.XX=±0.25
 - TERMINAL NUMBERS FOR REF ONLY
 - CONTACT MATERIAL: GOLD PLATED
 - RATING: 2A 48VDC
 - ELECTRIC LIFE: 200,000 MAKE-AND-BREAK CYCLES AT FULL LOAD.
 - INSULATION RESISTANCE: 1,000 MΩ MIN.
 - DIELECTRIC STRENGTH: 2,000 VAC MIN. FOR 1 MINUTE
 - CONTACT RESISTANCE: 50mΩ MAX. @ 1A 12VDC
 - OPERATING TEMP.: -20°C to 55°C
 - TRAVEL: 1.8mm
 - ▲ DENOTES CRITICAL PARAMETER.
 - ILLUMINATION COLOR: BLUE (FORWARD), BLUE (REVERSE)
 - HARDWARE SUPPLIED: O-RING AND HEXNUT (NOT SHOWN)
 - ILLUMINATION BASE RATING: 20mA 2.8V
 - 2002/95/EC (ROHS) COMPLIANT



A	20406	RELEASE FOR PRODUCTION	1/17/12	BGL
REV	PCR NO	DESCRIPTION	DATE	BY

TITLE PV6F240NNG-341				
SCALE 2:1	DATE 1/17/2012	DR BGL	DWG 52-PV6F240NNG341	REV A

THE INFORMATION CONTAINED IN THIS DOCUMENT IS PROPRIETARY TO E-SWITCH AND IS NOT TO BE COPIED OR TRANSFERRED