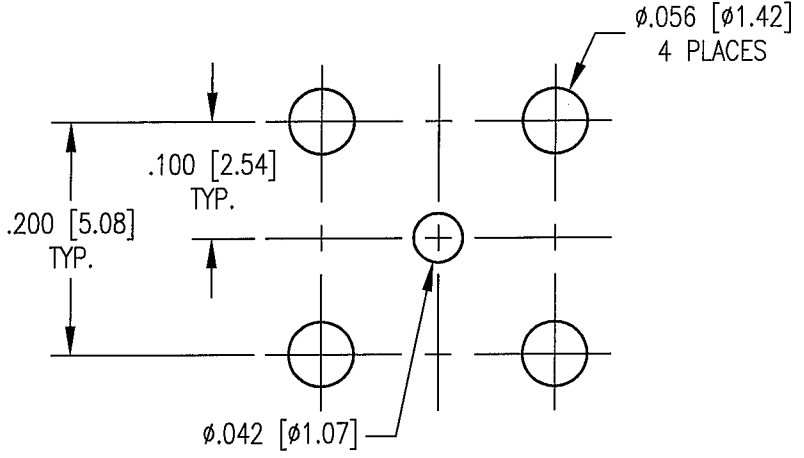
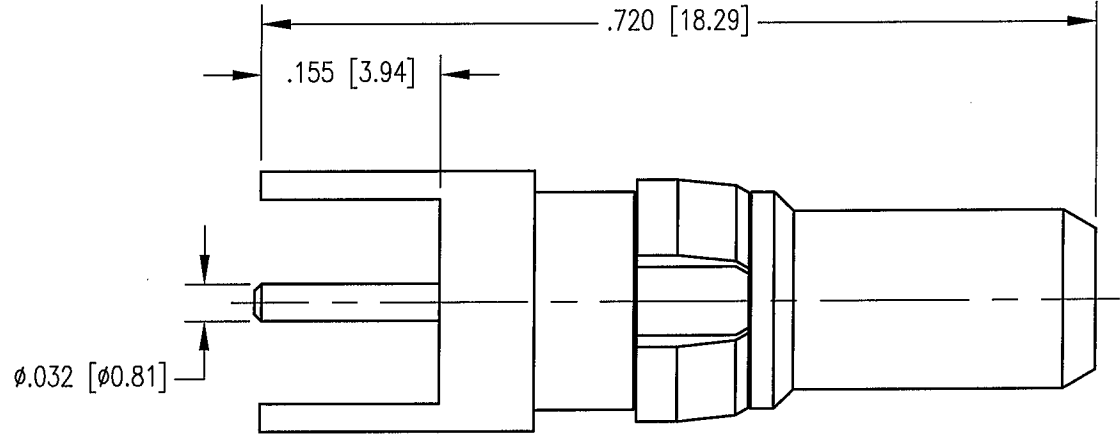
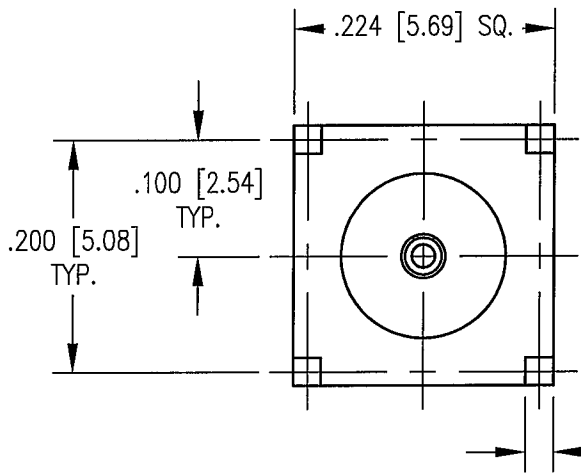


DWG. NO. 400-010-6040G			
REV	DESCRIPTION	BY	APPD
B	ECR 7213	1/21/02	MS



NOTES:

1. MATERIALS:
 BODY: BRASS PER ASTM B16
 CONTACT: COPPER ALLOY
 CLIP RING: BERYLLIUM COPPER PER ASTM B194
 INSULATOR: TEFLON PER ASTM D1710
2. FINISH:
 BODY AND CONTACT: .000030 MIN. GOLD PER MIL-G-45204
 OVER .000050 MIN. NICKEL PER QQ-N-290
 CLIP RING: .000100 MIN. NICKEL PER QQ-N-290 OVER
 COPPER FLASH
3. FOR USE IN DIN 41612 HOUSING.

PER ASME Y14.5M-1994 UNLESS OTHERWISE SPECIFIED: DIMENSIONS ARE IN INCHES [MM]	
TOLERANCES:	
DECIMALS	XX ± .01/0.254
XXX	± .005/0.127
ANGLES	± 2°
SCALE: 6:1	

Litton	
Winchester/Retconn 400 Park Road Watertown, Connecticut 06795	
TITLE	
31 SERIES FOR DIN HOUSING	
DRAWN	DATE
MJF	1/21/02
CHECKED	DATE
[Signature]	1/22/02
APPROVED	DATE
[Signature]	1/22/02
A	400-010-6040G
SHT.	OF
1	1
REV.	B