

Mains Transformers

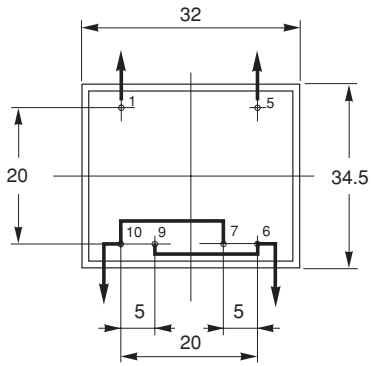


FEATURES

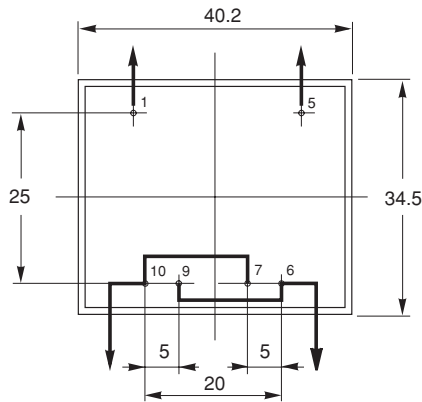
- Potted in a case to be mounted on a PCB
- Potting gives a high isolation and good aging
- Pins are on a standard 5mm pitch

DIMENSIONS in millimeters

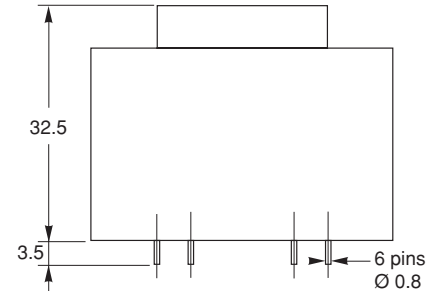
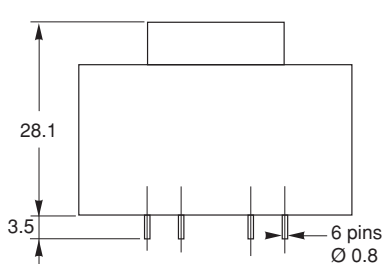
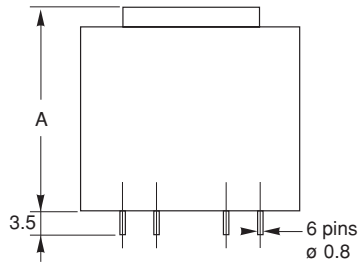
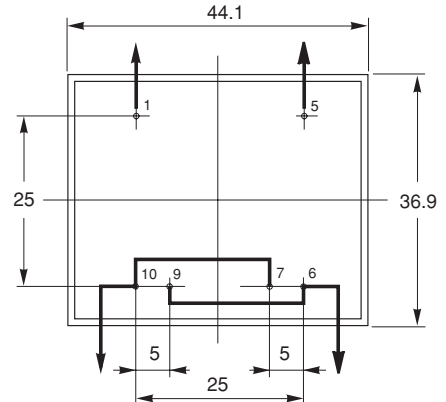
TMS 0.5 / 1 / 1.2 / 1.8 / 2.5



TMS 3.2

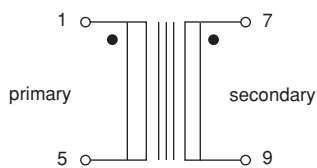


TMS 5

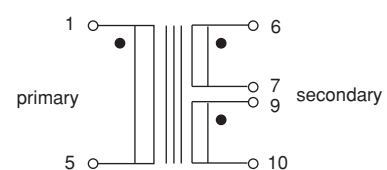


ELECTRICAL DIAGRAMS

1 SECONDARY



2 SECONDARIES



**MECHANICAL SPECIFICATIONS**

Case UL 94 VO compound

CLIMATIC
 Temperature Range
 Shelf - 40°C + 120°C
 Working - 20°C + 70°C
ELECTRICAL SPECIFICATIONS

Dielectric Strength	400VRMS
Primary/Secondary	230VRMS 50/60Hz
Primary Voltage	external fuse
Electrical Protection	

TECHNICAL SPECIFICATIONS

SERIES AND MODEL	TMS 0.5	TMS 1	TMS 1.2	TMS 1.8	TMS 2.5	TMS 3.2	TMS 5
Size	EI 30	EI 30	EI 30	EI 30	EI 30	EI 38	EI 42
Power (W)	0.5	1.0	1.2	1.8	2.5	3.2	5
Temporized Fuse (A)	–	–	–	–	–	0.032	0.032
Unit Weight (g)	42	70	80	96	110	150	195
High A (mm)	15,3	21.8	23.8	26.8	29.5	28.1	32.5
Maximum Permanent Current (1 Secondary) 7 - 9 mA	6V	83	166	200	300	417	834
	9V	55	110	133	200	277	554
	12V	41	82	100	150	209	418
	15V	33	66	80	120	167	334
	18V	27	54	66	100	139	278
	24V	21	42	50	75	104	208
Maximum Permanent Current (2 Secondaries) 6 - 7 + 9 - 10 mA	2 x 6V	41	82	100	150	208	416
	2 x 9V	27	54	66	100	139	278
	2 x 12V	21	42	50	75	104	209
	2 x 15V	17	34	40	60	83	166
	2 x 18V	14	28	33	50	69	138
	2 x 24V	11	22	25	37	52	104

Other voltages on request

PACKAGING

In box.

MARKING

Print marked: manufacturer, series, model, customer specifications, manufacturing date (code).

ORDERING INFORMATION

TMS	1.2	1 x 12V
SERIES	POWER	SECONDARY VOLTAGE