



SMA Female Bulkhead Connector Solder Attachment Solder Cup Terminal, .235 inch D Hole, Rear Mount

TECHNICAL DATA SHEET

PE4101

SMA Female Bulkhead Connector Solder Attachment Solder Cup Terminal, .235 inch D Hole, Rear Mount

Configuration

Connector	SMA Female
Connector Specification	MIL-STD-348
Connector Interface Type	Solder Cup
Cable Attachment Method (Shield/Contact)	Solder
Body Style	Straight
Mount Method	Bulkhead

Electrical Specifications

Frequency Range, GHz	DC to 18
Impedance, Ohms	50
Maximum VSWR	1.25:1

Mechanical Specifications

Size

Length, in [mm]	0.68 [17.27]
Width/Dia., in [mm]	0.312 [8]
Weight, lbs [g]	0.006 [2.72]

Connector

Type	SMA Female
Contact Material and Plating	Beryllium Copper, Gold
Contact Plating Specification	MIL-G-45204
Body Material and Plating	Stainless Steel, Gold
Body Plating Specification	MIL-G-45204
Dielectric Type	Teflon

Compliance Certifications (visit www.Pasternack.com for current document)

RoHS Compliant	Yes
----------------	-----

Plotted and Other Data

Notes: Values at 25 °C, sea level

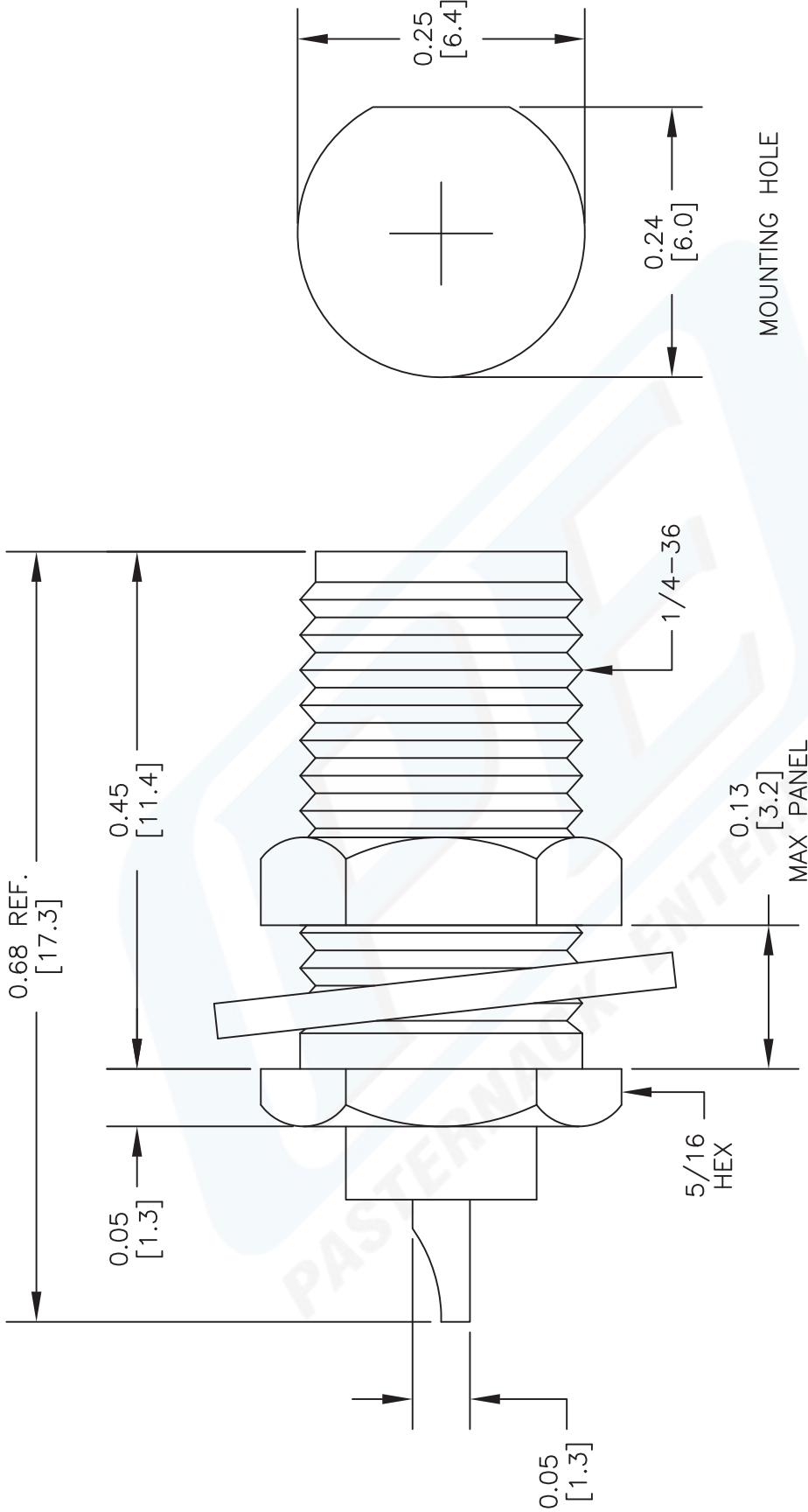
URL: <http://www.pasternack.com/sma-female-standard-solder-cup-terminal-connector-pe4101-p.aspx>

SMA Female Bulkhead Connector Solder Attachment Solder Cup Terminal, .235 inch D Hole, Rear Mount from Pasternack Enterprises has same day shipment for domestic and International orders. We maintain 99% availability of the industry's broadest selection of RF, microwave and fiber optic products.

The information contained in this document is accurate to the best of our knowledge and representative of the part described herein. It may be necessary to make modifications to the part and/or the documentation of the part, in order to implement improvements. Pasternack reserves the right to make such changes as required. Unless otherwise stated, all specifications are nominal.

PE4101 CAD Drawing

SMA Female Bulkhead Connector Solder Attachment Solder Cup Terminal, .235 inch D Hole, Rear Mount



DWG TITLE

PE4101

- NOTES:
1. UNLESS OTHERWISE SPECIFIED ALL DIMENSIONS ARE NOMINAL.
 2. ALL SPECIFICATIONS ARE SUBJECT TO CHANGE WITHOUT NOTICE AT ANY TIME.
 3. DIMENSIONS ARE IN INCHES [mm].
 4. FITS MIL-C-17 AND EQUIVALENT CABLES.

PASTERNAK
 Pasternack Enterprises, Inc.
 P.O. Box 16759 | Irvine | CA | 92623
 Phone: (949) 261-1920 | Fax: (949) 261-7451
 Website: www.pasternack.com | E-Mail: sales@pasternack.com

REV. A FSCM NO. 53919

CAD FILE 022212

SCALE N/A

SIZE A

2233