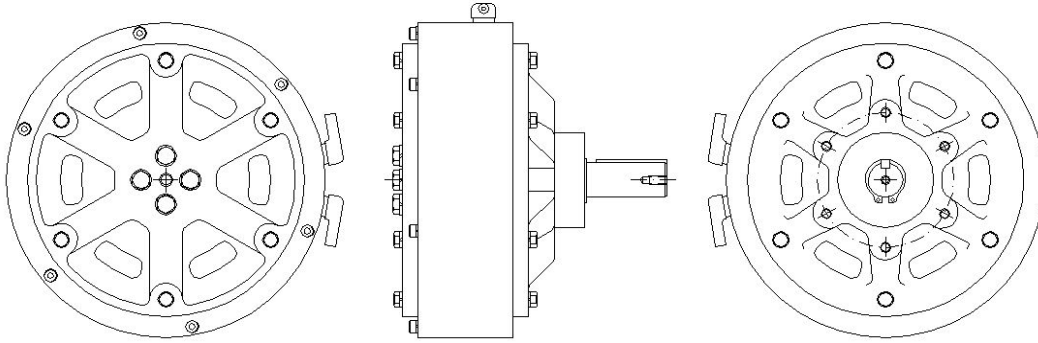


PB

EM Magnetic Particle Brake

Types: 1.2, 2.5, 5, 10, 20

[EM: Electromagnet]



PB		1.2	2.5	5	10	20
Rated Torque [ft-lbs]		8.9	18	37	74	148
Coil (75°C)	Voltage [DC-V]	24				
	Current [A]	1.4	1.9	2.8	3.6	3.8
	Wattage [W]	42	56	82	105	112
Max Allowable Speed [rpm]		1800	1800	1800	1800	1800
Max Natural Heat Dissipation [W]	100rpm	100	130	160	250	350
	1000rpm	100	130	250	400	700
Max Forced Heat Dissipation [W]		200	240	400	800	1400
Air Pressure ¹ [kg/cm ²]		0.3	0.5	1	1.4	1.5
Air Volume ¹ [m ² /min]		0.2	0.3	0.6	1.1	1.6
Shaft Diameter [mm]		15	20	25	30	35
Outer Diameter [mm]		152	182	218	290	335
Axial Length [mm]		133	156	195	242	278
Weight [lbs]		15	24	39	88	141

[Note 1 : Air flow specifications for forced heat dissipation]

[1" = 25.4mm]