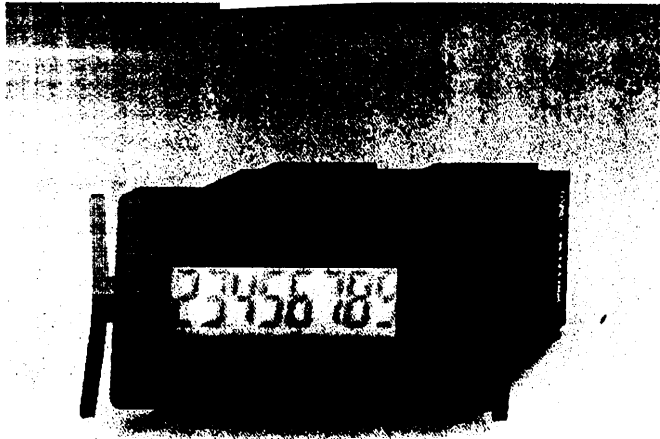




CTL Components plc, Falcon House,
19 Deer Park Road, London SW19 3UX.
Tel: 0181-543 0911. Fax: 0181-540 0034

N 121



Characteristics of device

3291261

Technology	CMOS
Model	Totalizer
Functions	Internal voltage supply Manual and/or electrical reset Counting via floating contact or through voltage pulses

FEC No. 3291261

Order designation

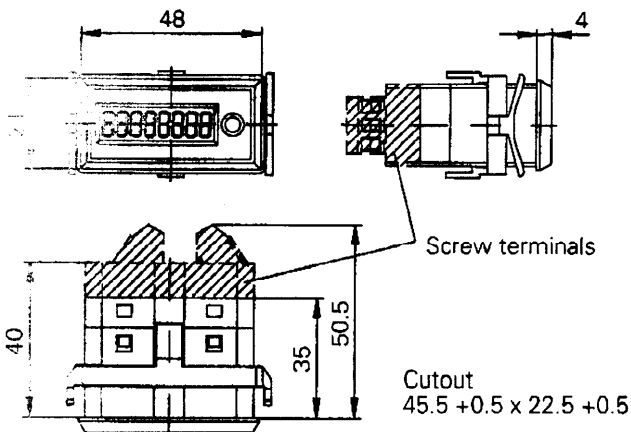
- A Jack plug with cable leads of floating contact
- B Screw terminals of floating contact
- C Screw terminals, voltage pulses 12 ... 240 VDC / VAC

N 121.01

Mechanical data

Display	8-digit LC-display 8 mm high
Operation, keypad	Rubber key for resetting
Front dimensions	DIN housing 48 x 24 mm
Mounting	Front-plate installation
Fastening	By means of clamping brackets
Type of connection	Screw terminals Grid 5 mm or cable lead
Core cross-section	Max. 1.5 mm ²
Weight	ca. 30 (40) g
Housing material	ABS black

Dimensions and cutout size





N 121

Ambient conditions

Ambient temperature	0 °C ... + 50 °C
Storage temperature	- 10 °C ... + 60 °C
Relative humidity	Max. rel. humidity 80 %, at 25 °C, non-condensing
Protection	Front IP 65 to DIN 40050
Interference immunity	EN 50 082 - 1 Severity grade 3
Emitted interference	EN 50 081 - 1

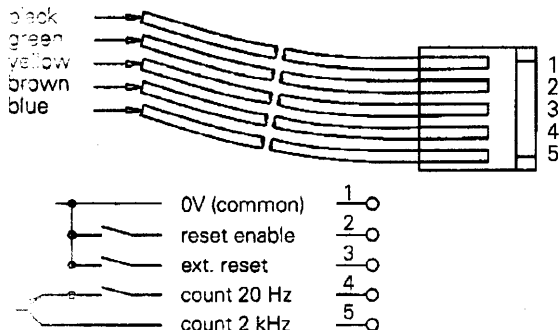
Electrical data

Supply voltage	Integrated 3 V lithium battery with a life cycle of approx. 10 years at + 20 °C
Reset inputs	External reset Reset NPN, switching to 0 V (Pin 1 to Pin 3). Min. pulse duration 25 ms, no counting during reset signal. Reset enable The reset key is active if Pin 2 (reset enable) is connected to Pin 1 (0 V).

Pin assignments

Version A

Jack plug with cable leads / floating contact



Signal inputs

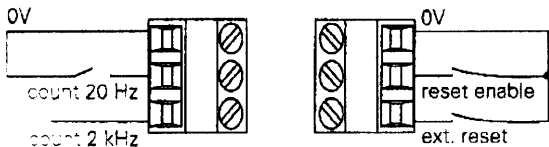
Version A and B

Two count inputs: electronic count input for pulses up to max. 2 kHz and contact input / open collector input for pulses up to 20 Hz with internal contact debouncing.

Count 20 Hz	Max. counting rate 20 Hz, e.g. via floating contact from Pin 4 to Pin 1 (0 V) Counting by negative edge Minimum pulse duration 25 ms
Count 2 kHz	Max. counting rate 2 kHz NPN-logic Counting by negative edge Limit value 0.7 V Minimum pulse duration 250 µs

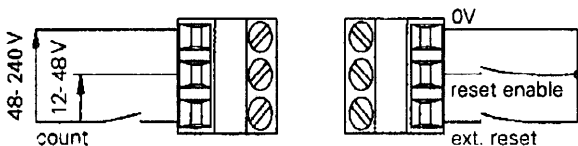
Version B

Screw terminals / floating contact



Version C

Screw terminals / for counting with voltage pulses from 12 ... 240 VDC / VAC



For version C the following data are valid:

Maximum counting rate	15 Hz
Minimum pulse duration	35 ms
Input impedance	10 ... 54 kOhm
Low	1 VDC / VAC
High	12 ... 240 VDC / VAC